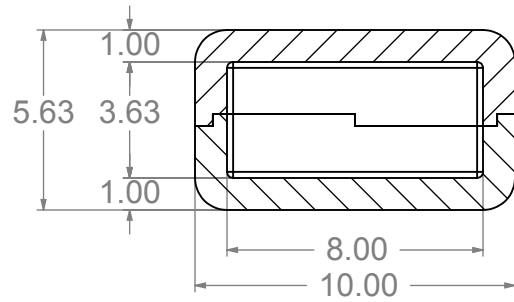
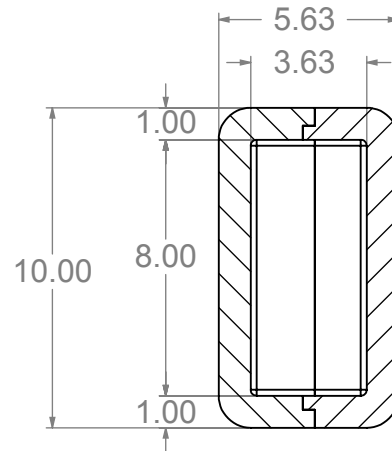
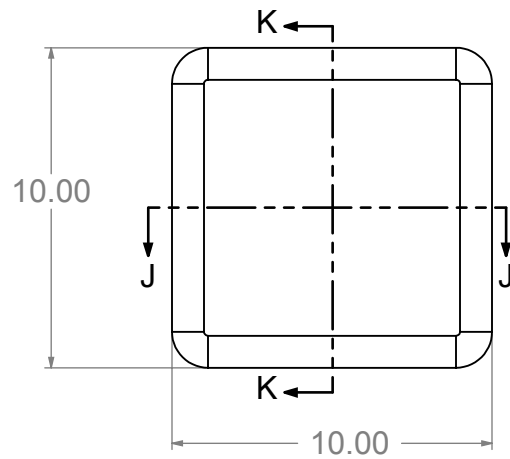
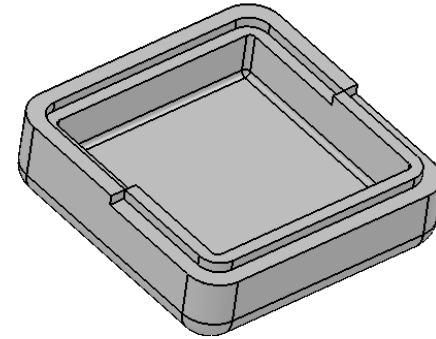


		REVISIONS			
ZONE	REV.	DESCRIPTION	DATE	APPROVED	





SECTION J-J



SECTION K-K

STANDARD EPS TOLERANCES
FOR DENSITY 1.12 TO 3.0 PCF

DIM.	INCH(MM)	TOL.	INC(MM)
0.0	- 6.0"(152)	+/-	.039 (1)
6.0(152)	- 12.0 (305)	+/-	.06 (1.5)
12.0(305)	- 24.0(610)	+/-	.098 (2.5)
24.0(610)	- 48.0(1220)	+/-	.12 (3)
48.0(1220)	- GREATER	+/-	.20 (5)

PROPRIETARY AND CONFIDENTIAL THE INFORMATION CONTAINED IN THIS DRAWING IS THE SOLE PROPERTY OF marko foam production ANY REPRODUCTION IN PART OR AS A WHOLE WITHOUT THE WRITTEN PERMISSION OF marko foam production IS PROHIBITED.	NAME	DATE	 marko foam products inc	
	DRAWN			
	CHECKED			
	ENG APPR.	Ilir Bordoniqi 08/09/10		
	MFG APPR.			
Q.A.			MB 3-3	
COMMENTS:	V ₃ - 155			
DO NOT SCALE DRAWING	SIZE	DWG. NO.		
	SCALE:1:6	WEIGHT:	SHEET 1 OF 1	