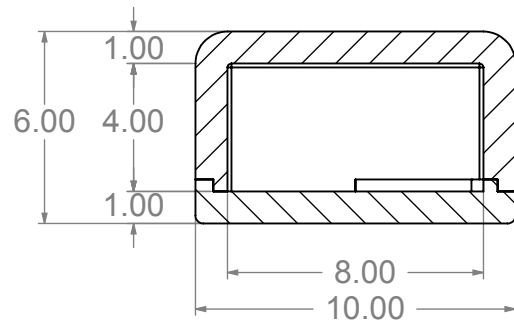
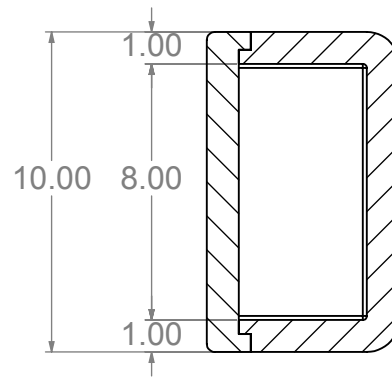
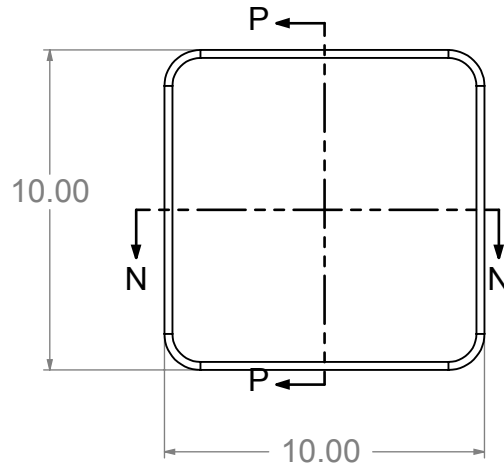
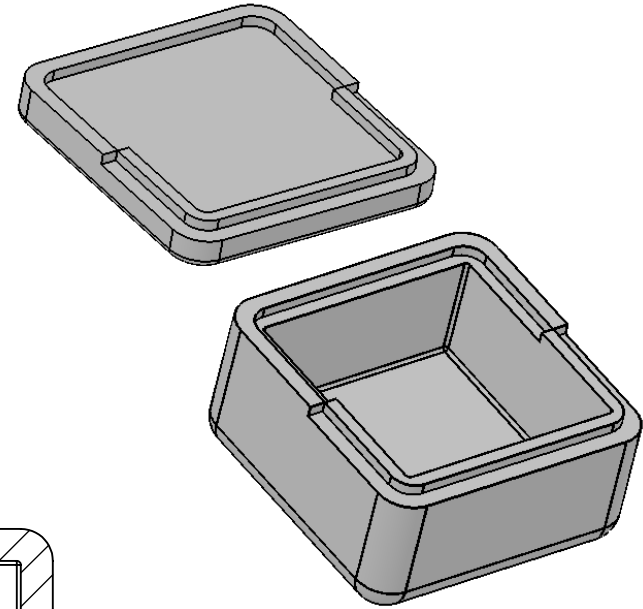


		REVISIONS			
ZONE	REV.	DESCRIPTION	DATE	APPROVED	





SECTION N-N



SECTION P-P

STANDARD EPS TOLERANCES  
FOR DENSITY 1.12 TO 3.0 PCF

DIM.	INCH(MM)	TOL.	INC(MM)
0.0	- 6.0"(152)	+/-	.039 (1)
6.0	(152) - 12.0 (305)	+/-	.06 (1.5)
12.0	(305) - 24.0(610)	+/-	.098 (2.5)
24.0	(610) - 48.0(1220)	+/-	.12 (3)
48.0	(1220) - GREATER	+/-	.20 (5)

<b>PROPRIETARY AND CONFIDENTIAL</b> THE INFORMATION CONTAINED IN THIS DRAWING IS THE SOLE PROPERTY OF marko foam production ANY REPRODUCTION IN PART OR AS A WHOLE WITHOUT THE WRITTEN PERMISSION OF marko foam production IS PROHIBITED. MATERIAL <b>EPS 1.25 PCF</b> FINISH DO NOT SCALE DRAWING	NAME	DATE	 <b>MB 1-5</b>	
	DRAWN			
	CHECKED			
	ENG APPR.	Ilir Bordoniqi 08/09/10		
	MFG APPR.			
Q.A.			SIZE DWG. NO.	REV.
COMMENTS:	<b>V<sub>1</sub> - 105</b> <b>V<sub>5</sub> - 225</b>		<b>A</b>	
SCALE:1:6			WEIGHT:	SHEET 1 OF 1