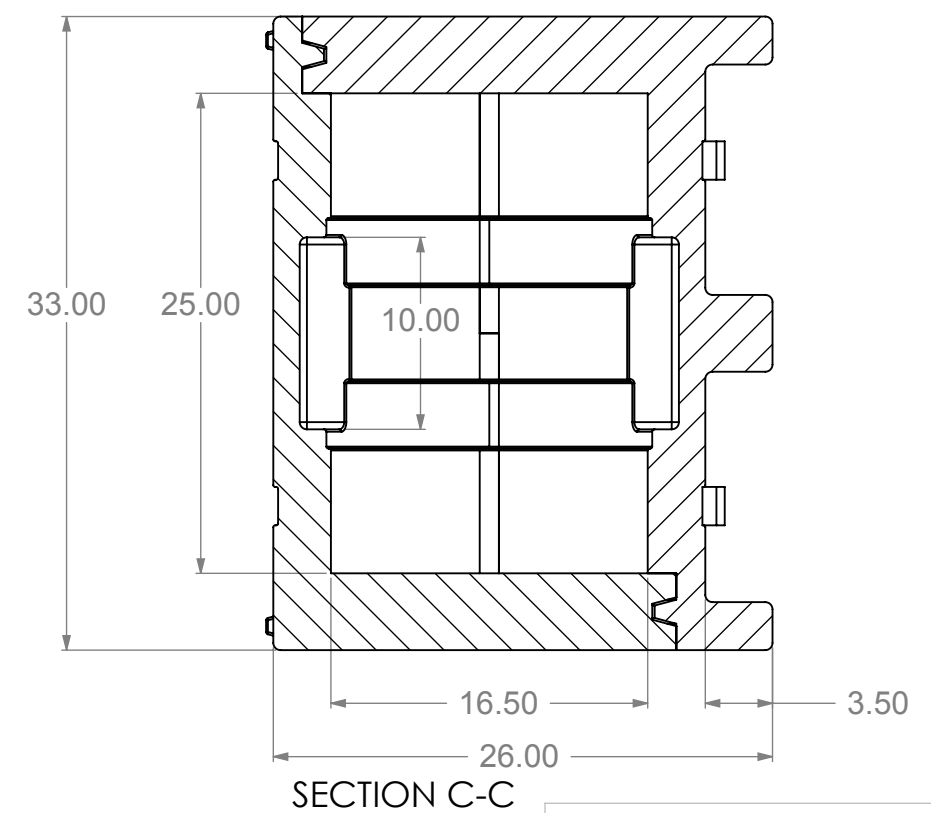
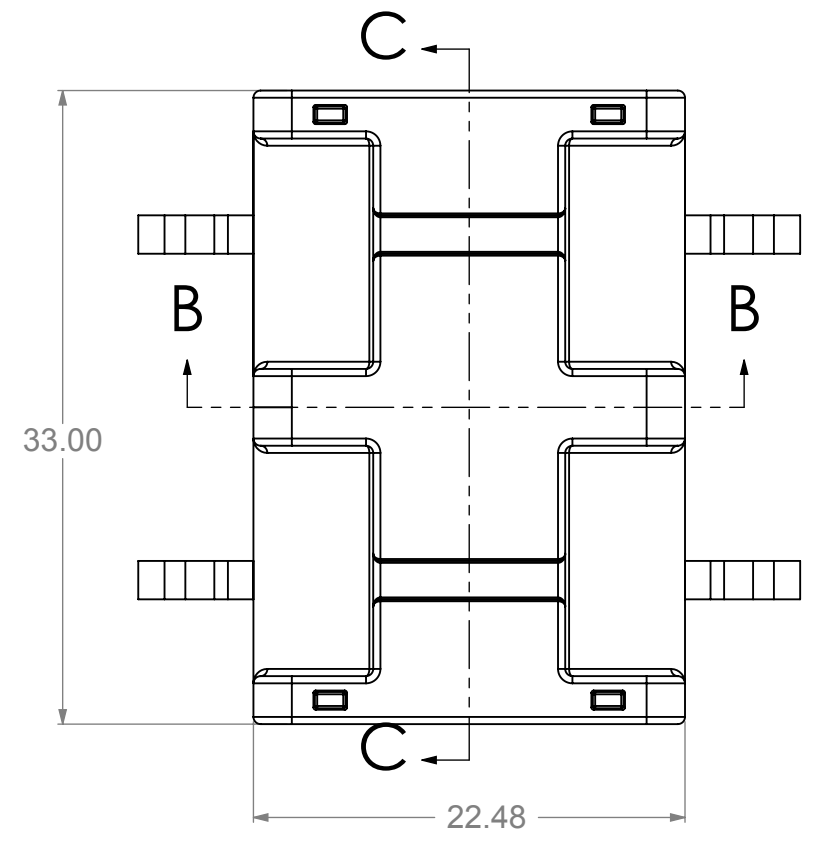
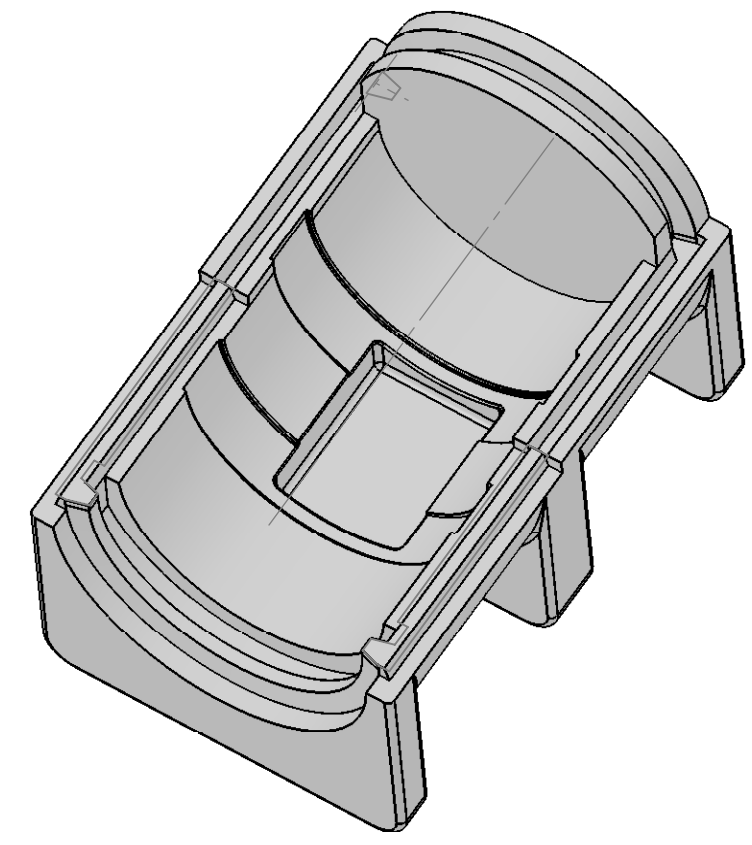
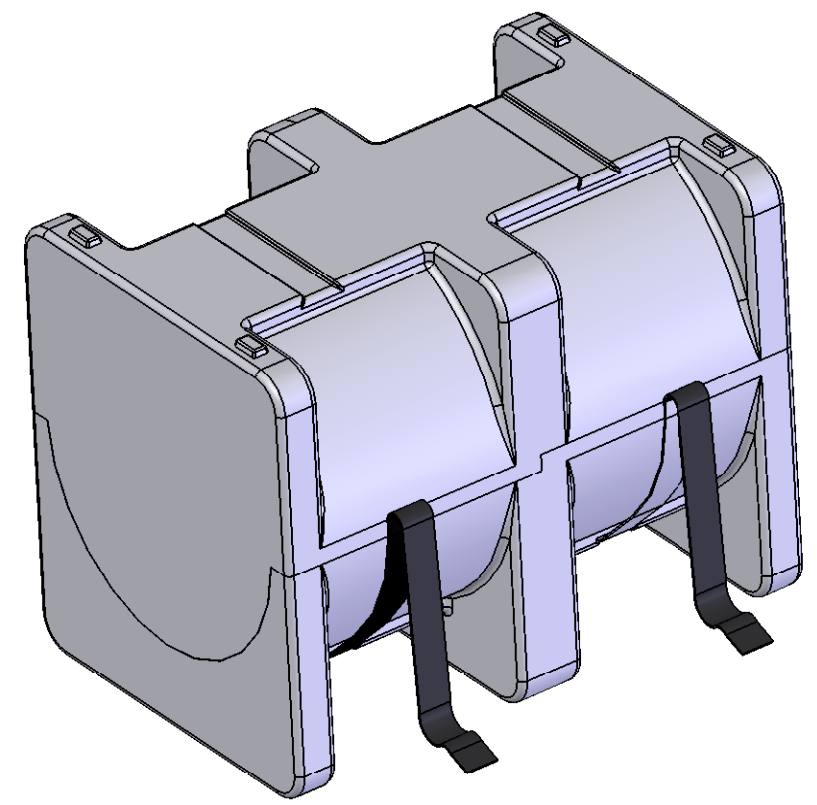
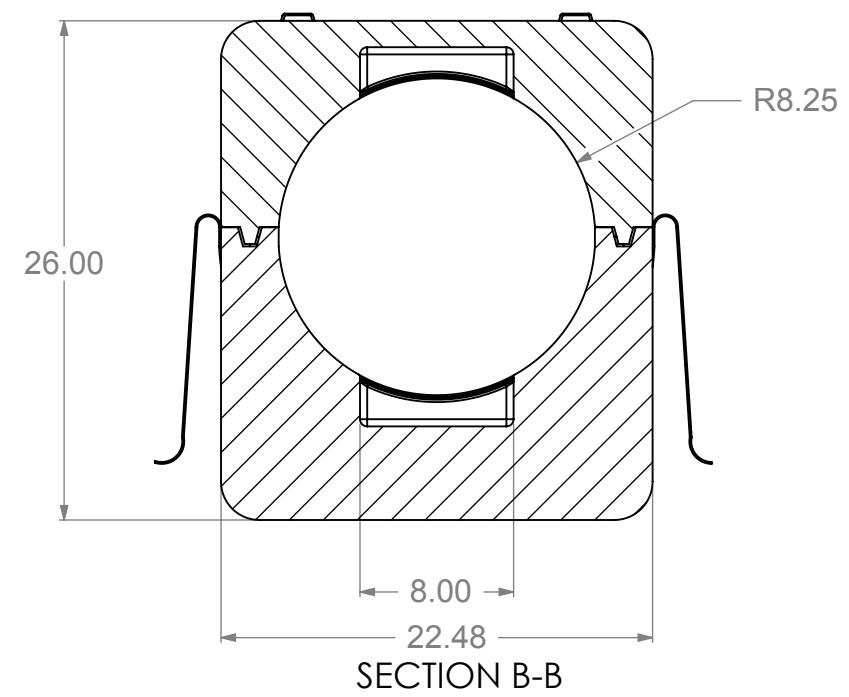


8 7 6 5 4 3 2 1


D  
C  
B  
A

D  
C  
B  
A



STANDARD EPS TOLERANCES FOR DENSITY 1.12 TO 3.0 PCF

| DIM. INCH(MM)          | TOL. INC(MM)   |
|------------------------|----------------|
| 0.0 - 6.0(152)         | +/- .039 (1)   |
| 6.0(152) - 12.0 (305)  | +/- .06 (1.5)  |
| 12.0(305) - 24.0(610)  | +/- .098 (2.5) |
| 24.0(610) - 48.0(1220) | +/- .12 (3)    |
| 48.0(1220) - GREATER   | +/- .20 (5)    |

|   |           |                |          |   |
|---|-----------|----------------|----------|---|
| <b>PROPRIETARY AND CONFIDENTIAL</b><br>THE INFORMATION CONTAINED IN THIS DRAWING IS THE SOLE PROPERTY OF marko foam production. ANY REPRODUCTION IN PART OR AS A WHOLE WITHOUT THE WRITTEN PERMISSION OF marko foam production IS PROHIBITED.<br>MATERIAL: EPS; CO-POLYMER<br>FINISH: | DRAWN     | NAME           | DATE     | <br><b>KEG PACK</b><br>SIZE DWG. NO. <b>A</b><br>SCALE:1:10 WEIGHT: SHEET 1 OF 1 |
|   | CHECKED   |                |          |   |
|   | ENG APPR. | Ilir Bordoniqi | 12/01/10 |   |
|   | MFG APPR. |                |          |   |
|   | Q.A.      |                |          |   |
| COMMENTS:   | V - 9186  |                |          |   |
| DO NOT SCALE DRAWING  |           |                |          | REV.  |

8 7 6 5 4 3 2 1