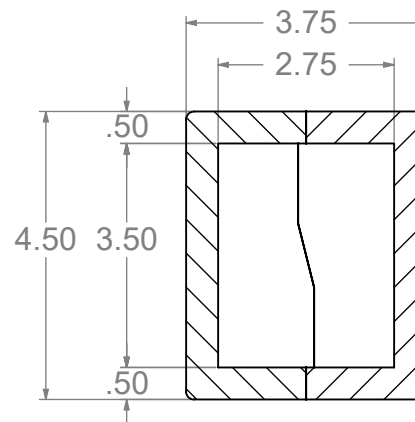
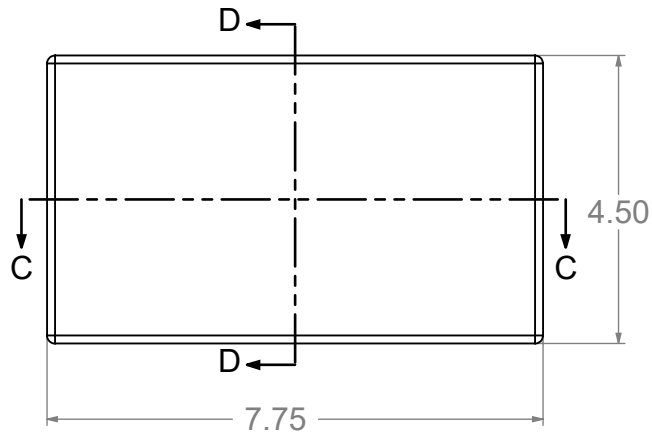
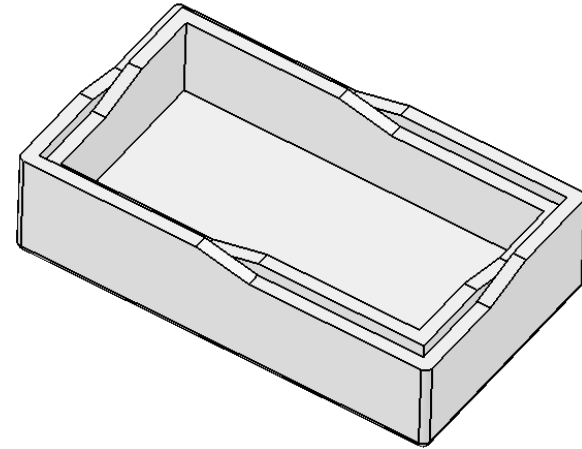




SECTION C-C



SECTION D-D

STANDARD EPS TOLERANCES
FOR DENSITY 1.12 TO 3.0 PCF

DIM. INCH(MM)	TOL. INC(MM)
0.0 - 6.0(152)	+/- .039 (1)
6.0(152) - 12.0 (305)	+/- .06 (1.5)
12.0(305) - 24.0(610)	+/- .098 (2.5)
24.0(610) - 48.0(1220)	+/- .12 (3)
48.0(1220) - GREATER	+/- .20 (5)

PROPRIETARY AND CONFIDENTIAL THE INFORMATION CONTAINED IN THIS DRAWING IS THE SOLE PROPERTY OF marko foam production ANY REPRODUCTION IN PART OR AS A WHOLE WITHOUT THE WRITTEN PERMISSION OF marko foam production IS PROHIBITED.	NAME	DATE	 marko foam products inc		
	DRAWN				
	CHECKED				
	ENG APPR. Ilir Bordoniqi	08/09/10			
	MFG APPR.				
Q.A.			IC - 65		
COMMENTS:		SIZE DWG. NO.			REV.
CAVITY VOLUME V=65 cu. in.		A			
MATERIAL EPS 1.25 PCF	DO NOT SCALE DRAWING		SCALE:1:3	WEIGHT:	SHEET 1 OF 1