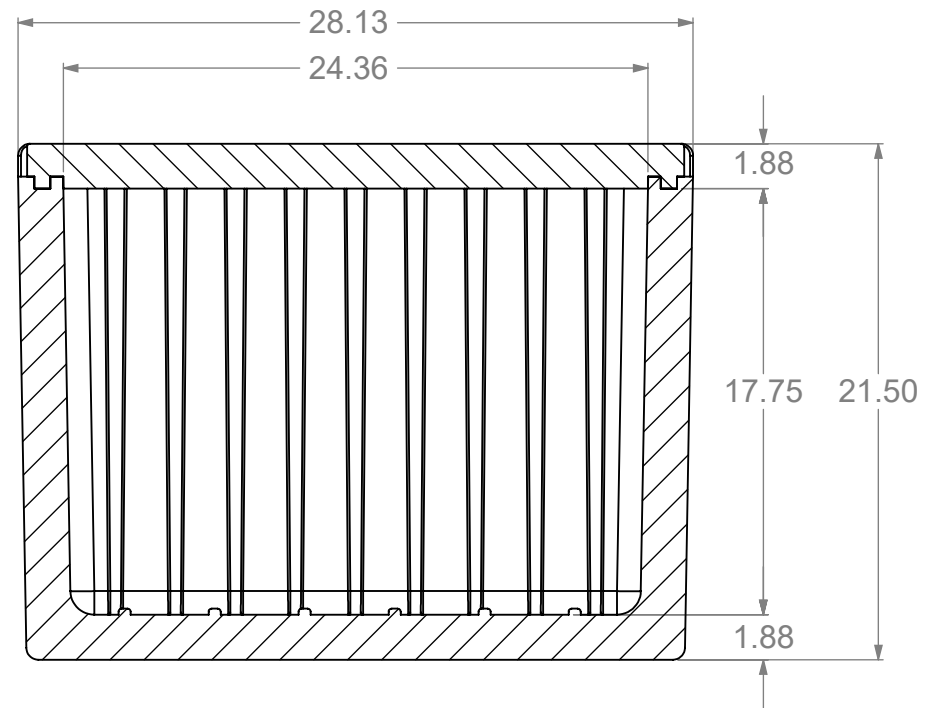


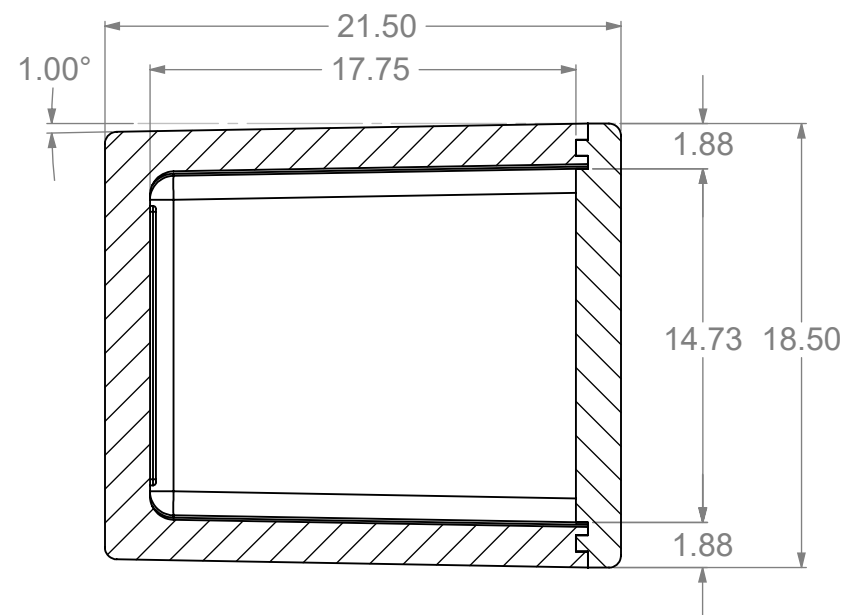
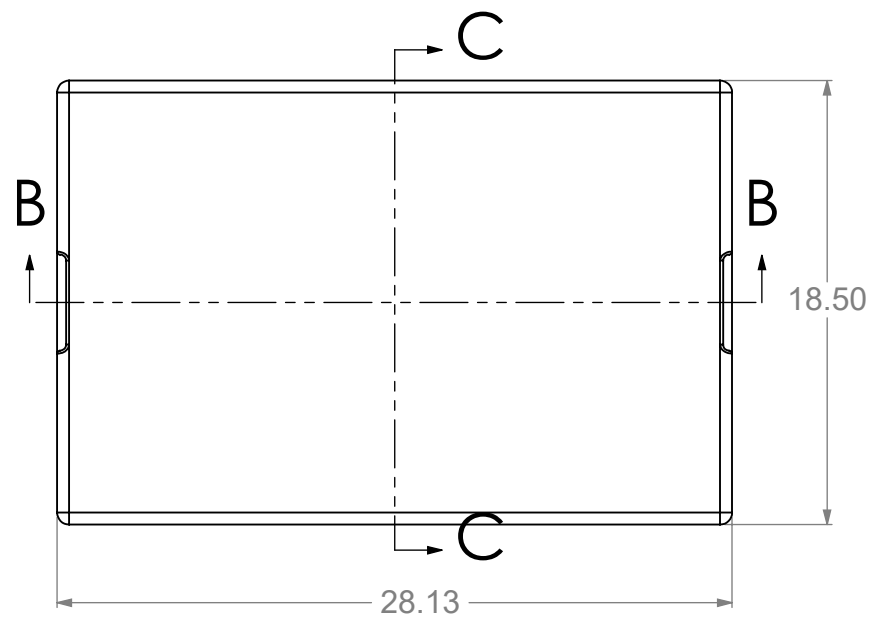
8 7 6 5 4 3 2 1

D  
C  
B  
A

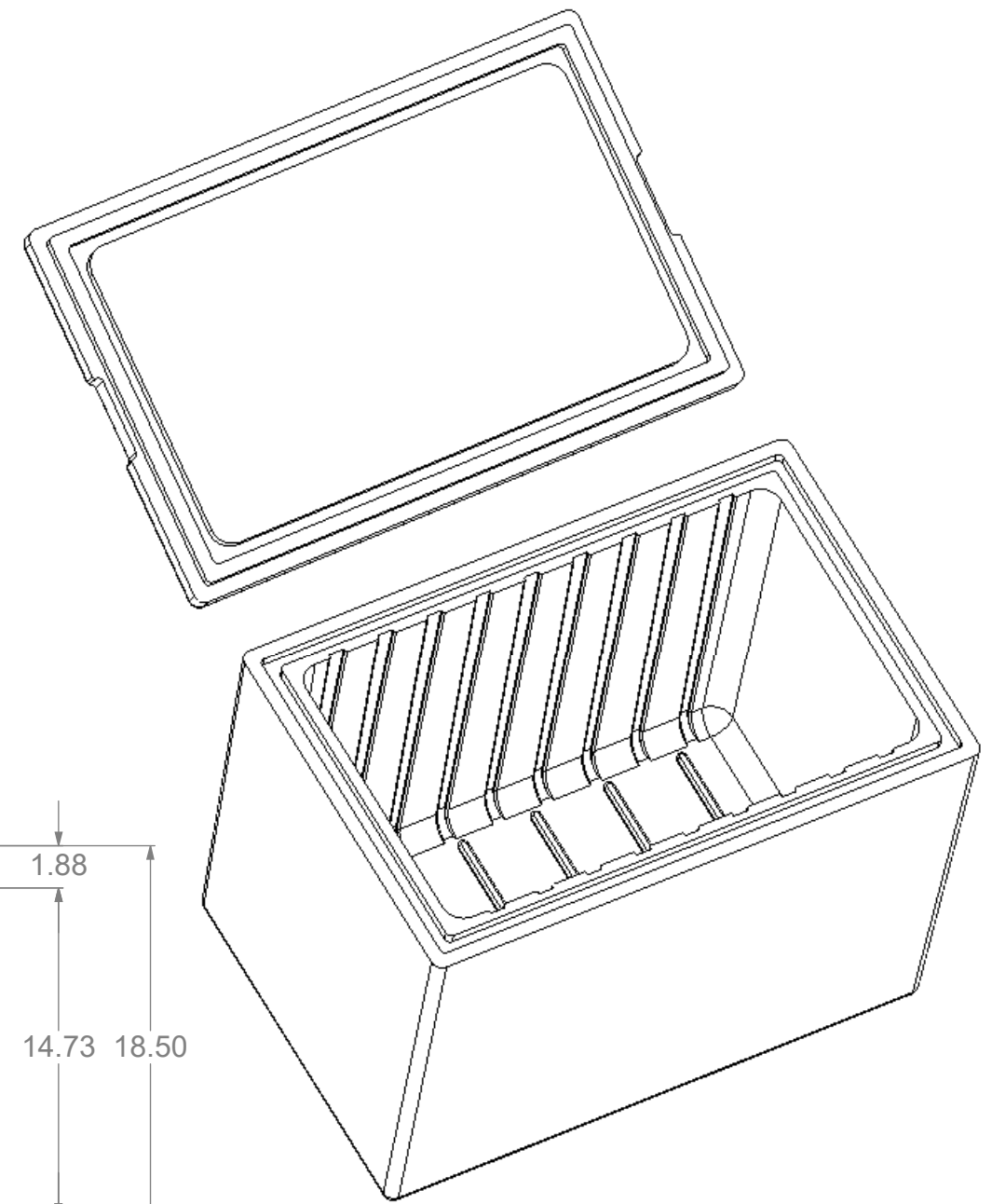
D  
C  
B  
A



SECTION B-B




SECTION C-C



STANDARD EPS TOLERANCES FOR DENSITY 1.12 TO 3.0 PCF

| DIM. INCH(MM)          | TOL. INC(MM)   |
|------------------------|----------------|
| 0.0 - 6.0(152)         | +/- .039 (1)   |
| 6.0(152) - 12.0 (305)  | +/- .06 (1.5)  |
| 12.0(305) - 24.0(610)  | +/- .098 (2.5) |
| 24.0(610) - 48.0(1220) | +/- .12 (3)    |
| 48.0(1220) - GREATER   | +/- .20 (5)    |

|  |                                 |               |          |   |
|--|---------------------------------|---------------|----------|---|
| <b>PROPRIETARY AND CONFIDENTIAL</b><br>THE INFORMATION CONTAINED IN THIS DRAWING IS THE SOLE PROPERTY OF marko foam production. ANY REPRODUCTION IN PART OR AS A WHOLE WITHOUT THE WRITTEN PERMISSION OF marko foam production IS PROHIBITED.<br>MATERIAL: EPS 1.5 PCF ± 10%<br>FINISH: DO NOT SCALE DRAWING | DRAWN                           | NAME          | DATE     | <br><b>IC - 6373</b> |
|  | CHECKED                         |               |          |   |
|  | ENG APPR.                       | Iir Bordoniqi | 02/08/13 |   |
|  | MFG APPR.                       |               |          |   |
|  | Q.A.                            |               |          |   |
| COMMENTS:  | CAVITY VOLUME<br>V=6373 cu. in. |               |          | SIZE DWG. NO.<br><b>A</b>   |
|  | SCALE:1:8                       | WEIGHT:       |          | REV.<br>SHEET 1 OF 1  |

8 7 6 5 4 3 2 1