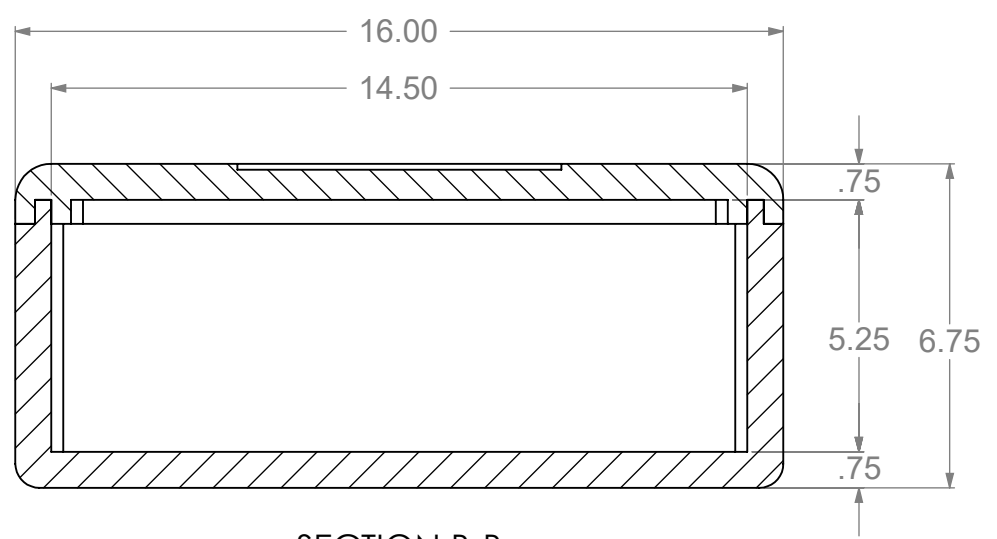
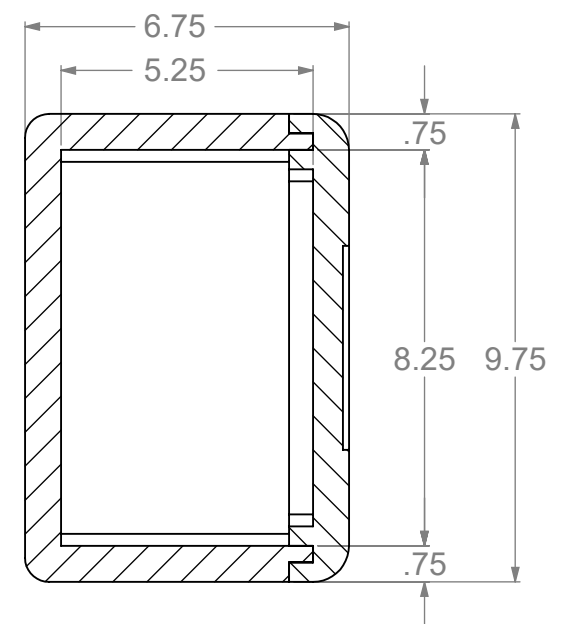
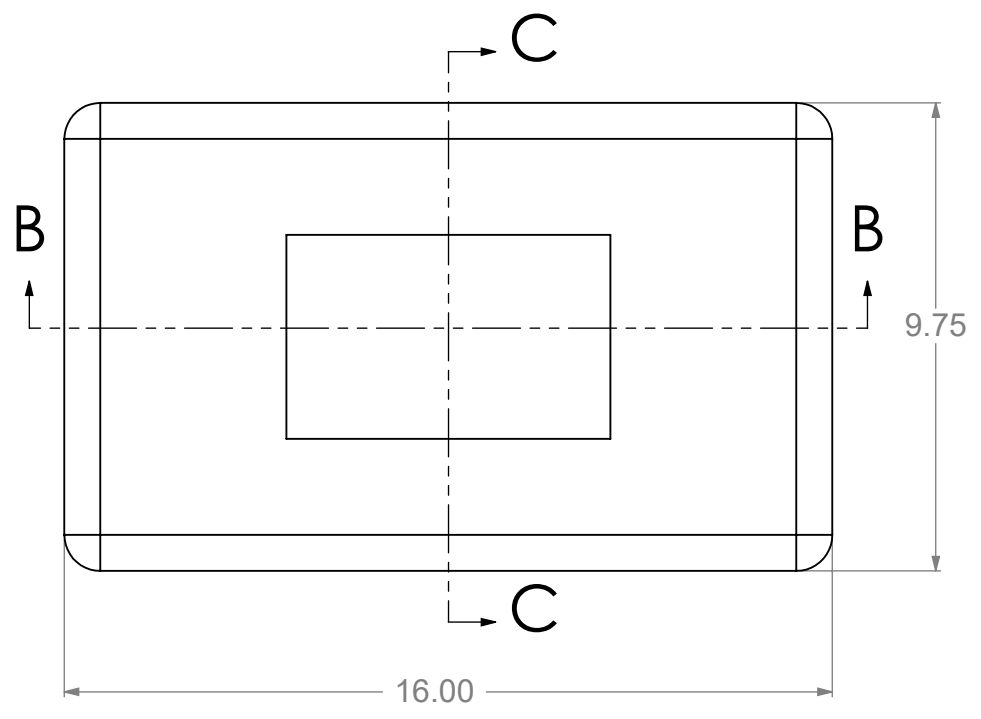
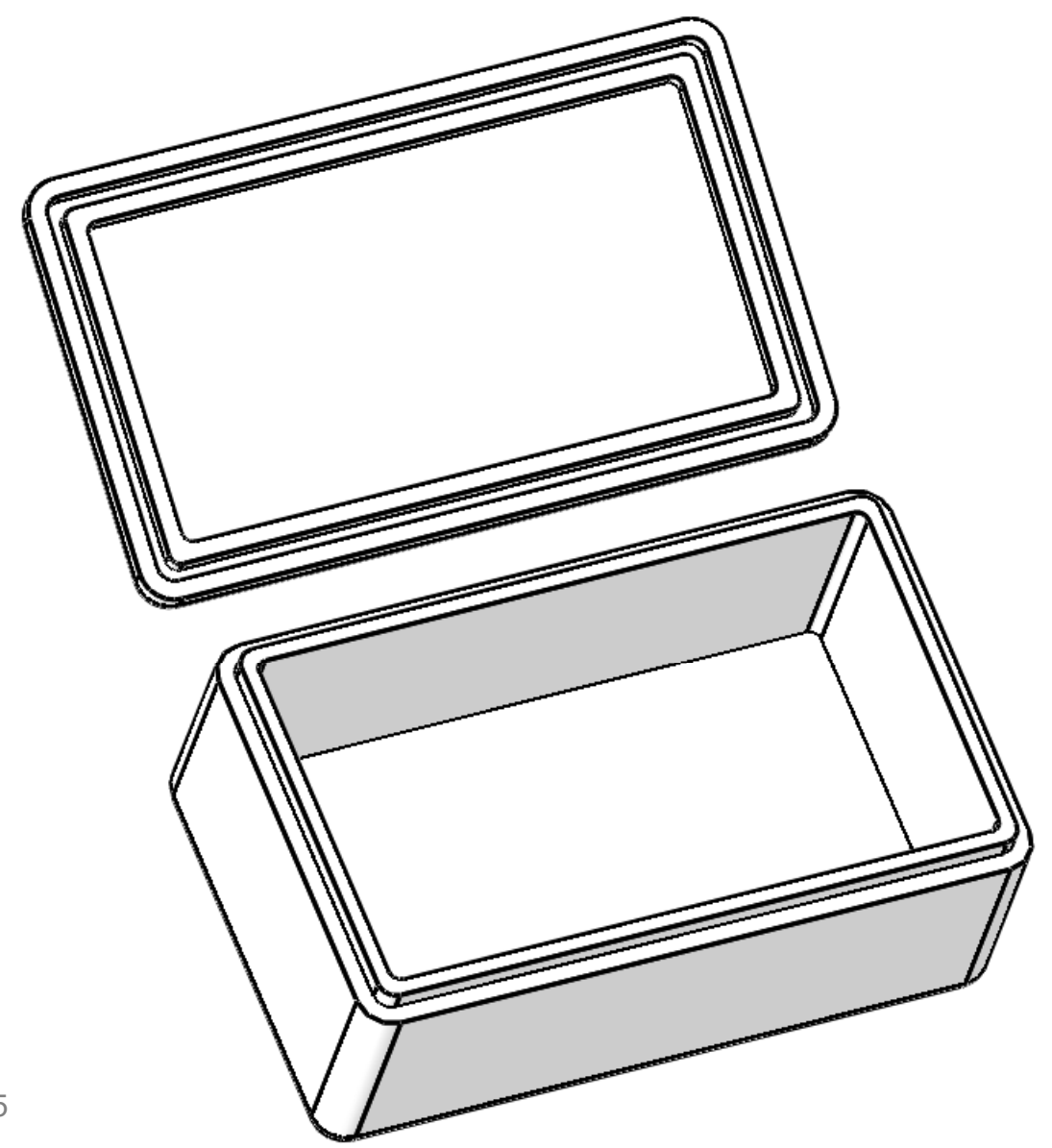


8 7 6 5 4 3 2 1

D  
C  
B  
A





SECTION B-B



SECTION C-C

**STANDARD EPS TOLERANCES FOR DENSITY 1.12 TO 3.0 PCF**

DIM. INCH(MM)	TOL. INC(MM)
0.0 - 6.0"(152)	+/- .039 (1)
6.0(152) - 12.0 (305)	+/- .06 (1.5)
12.0(305) - 24.0(610)	+/- .098 (2.5)
24.0(610) - 48.0(1220)	+/- .12 (3)
48.0(1220) - GREATER	+/- .20 (5)

<b>PROPRIETARY AND CONFIDENTIAL</b> THE INFORMATION CONTAINED IN THIS DRAWING IS THE SOLE PROPERTY OF marko foam production ANY REPRODUCTION IN PART OR AS A WHOLE WITHOUT THE WRITTEN PERMISSION OF marko foam production IS PROHIBITED.	DRAWN	NAME	DATE	 <b>IC - 628</b>	
	CHECKED				
	ENG APPR.	Ilir Bordoniqi	05/24/10		
	MFG APPR.				
	Q.A.				
MATERIAL	EPS 1.25 PCF			COMMENTS:	
FINISH	DO NOT SCALE DRAWING			CAVITY VOLUME V=628 cu. in.	
				SIZE DWG. NO.	REV.
				SCALE:1:4	WEIGHT:
				SHEET 1 OF 1	

8 7 6 5 4 3 2 1