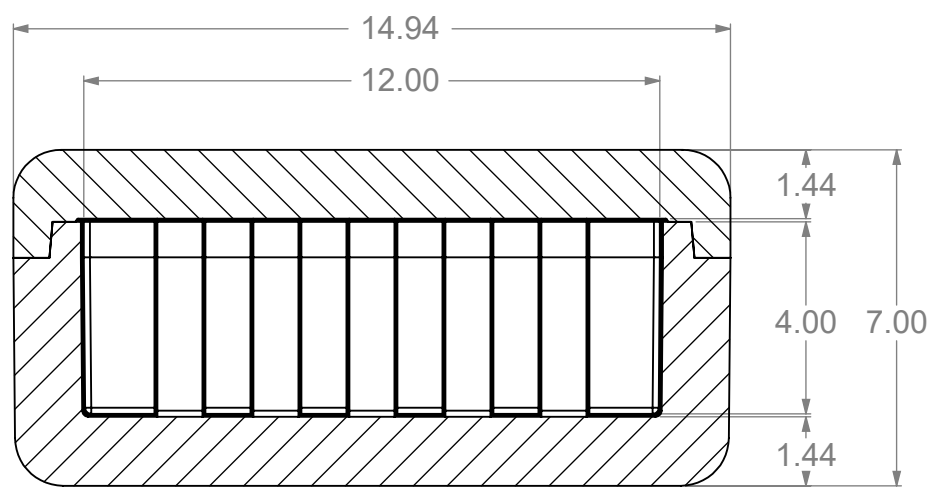
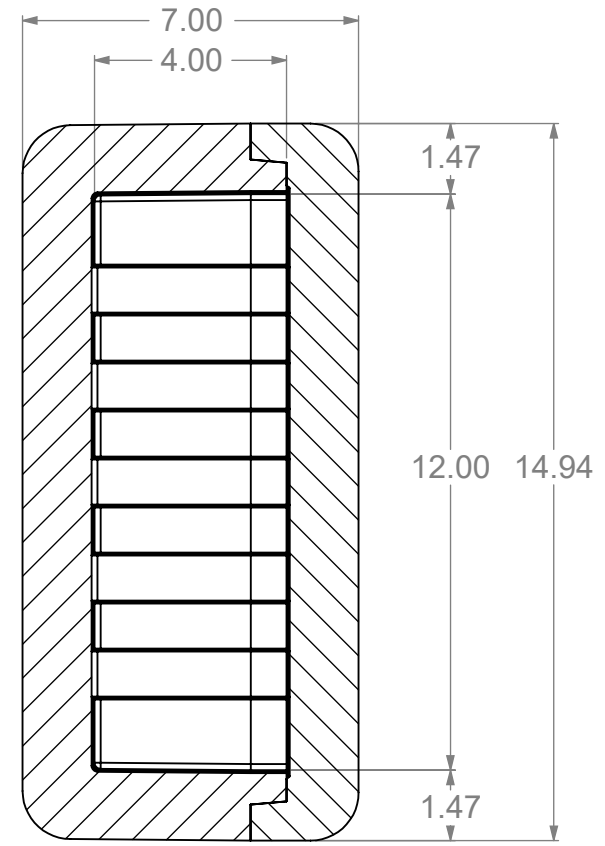
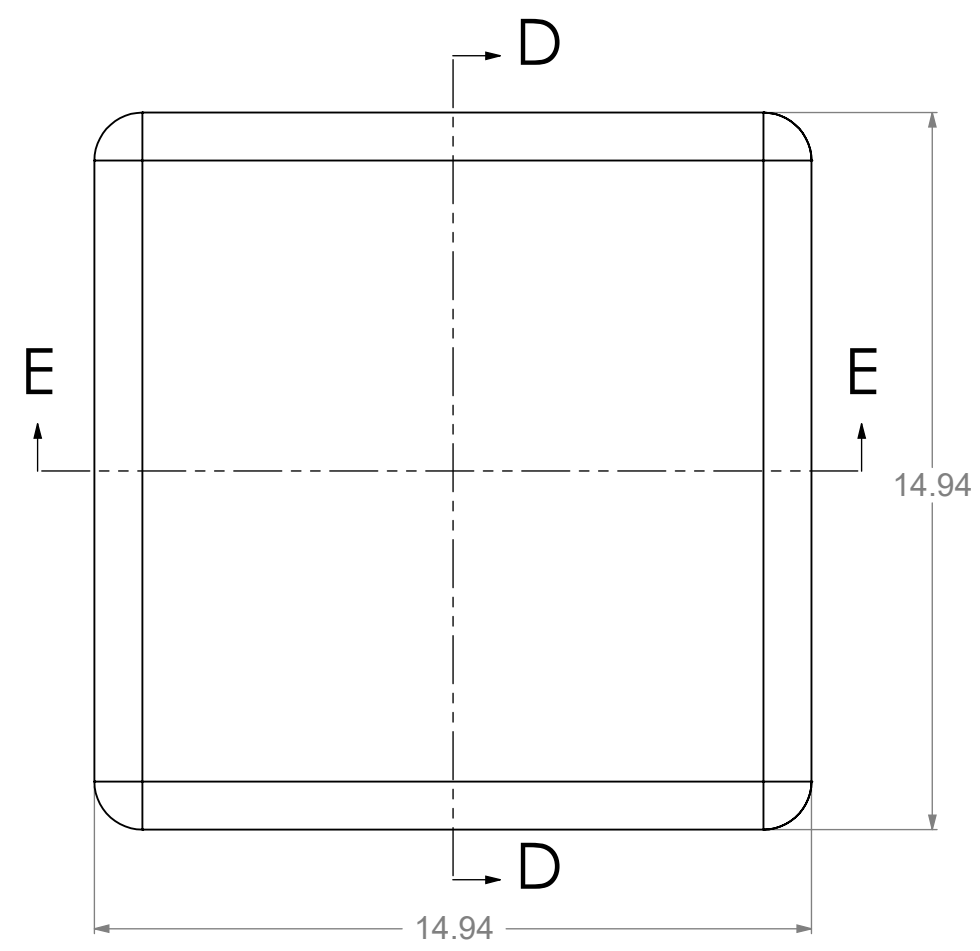
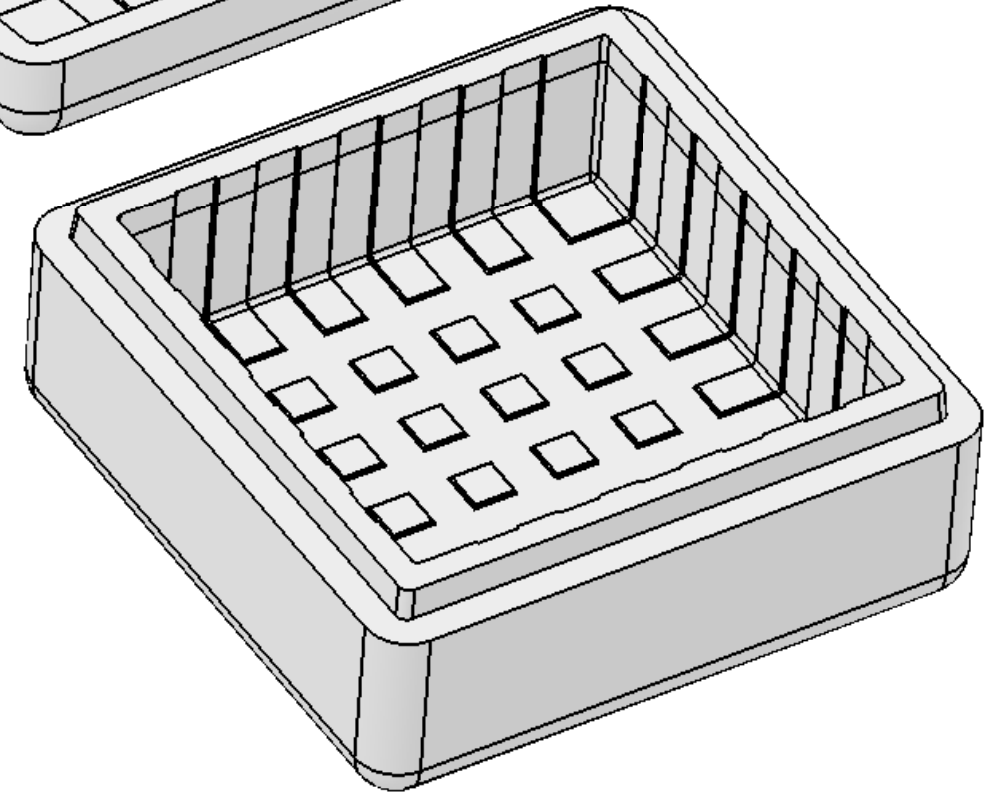
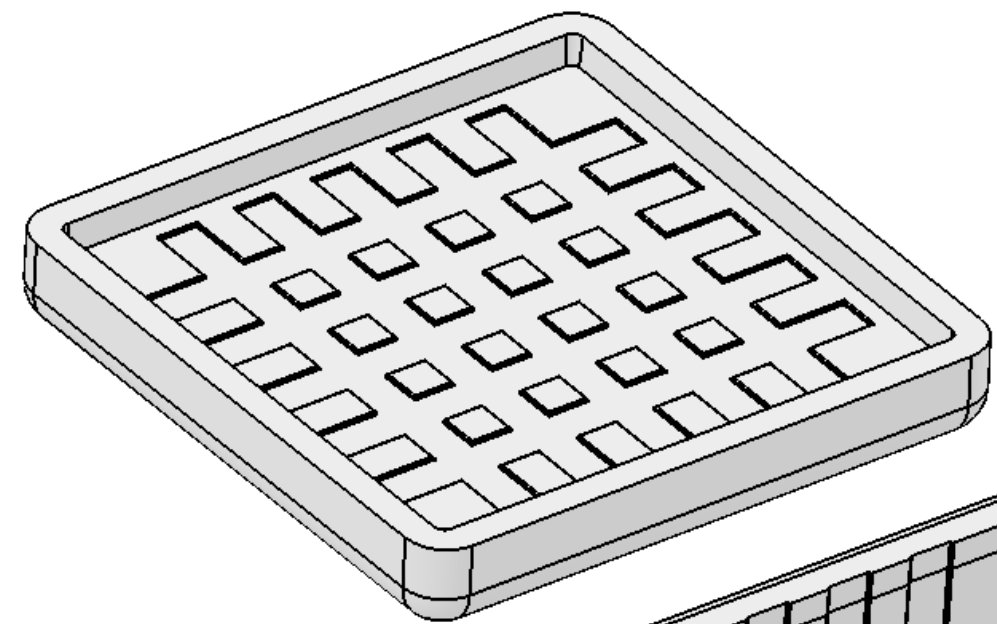


8 7 6 5 4 3 2 1




SECTION E-E



SECTION D-D

STANDARD EPS TOLERANCES FOR DENSITY 1.12 TO 3.0 PCF

DIM. INCH(MM)	TOL. INC(MM)
0.0 - 6.0(152)	+/- .039 (1)
6.0(152) - 12.0(305)	+/- .06 (1.5)
12.0(305) - 24.0(610)	+/- .098 (2.5)
24.0(610) - 48.0(1220)	+/- .12 (3)
48.0(1220) - GREATER	+/- .20 (5)

PROPRIETARY AND CONFIDENTIAL THE INFORMATION CONTAINED IN THIS DRAWING IS THE SOLE PROPERTY OF marko foam production. ANY REPRODUCTION IN PART OR AS A WHOLE WITHOUT THE WRITTEN PERMISSION OF marko foam production IS PROHIBITED. MATERIAL: EPS 1.25 PCF FINISH: DO NOT SCALE DRAWING	DRAWN	NAME	DATE	 IC - 576
	CHECKED			
	ENG APPR.	Ilir Bordoniqi	10/29/10	
	MFG APPR.			
	Q.A.			
COMMENTS:	CAVITY VOLUME V=576 cu. in.			SIZE DWG. NO. A
	SCALE:1:4	WEIGHT:		SHEET 1 OF 1

8 7 6 5 4 3 2 1