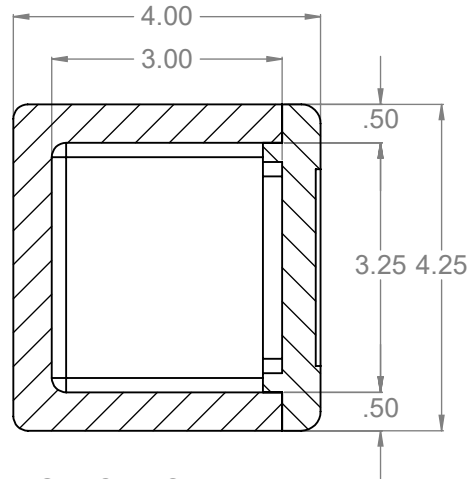
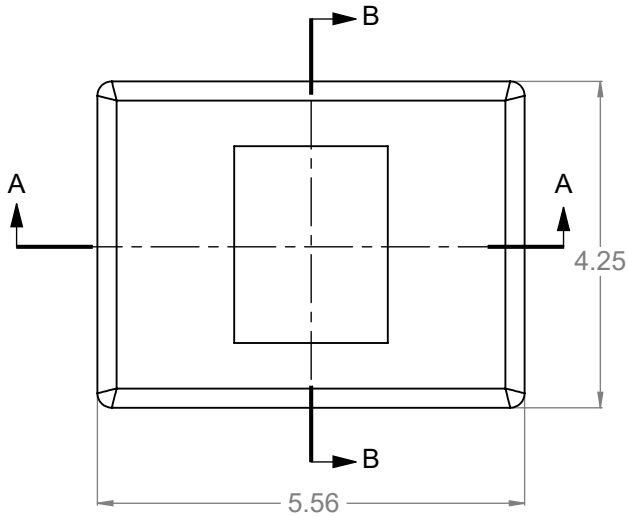
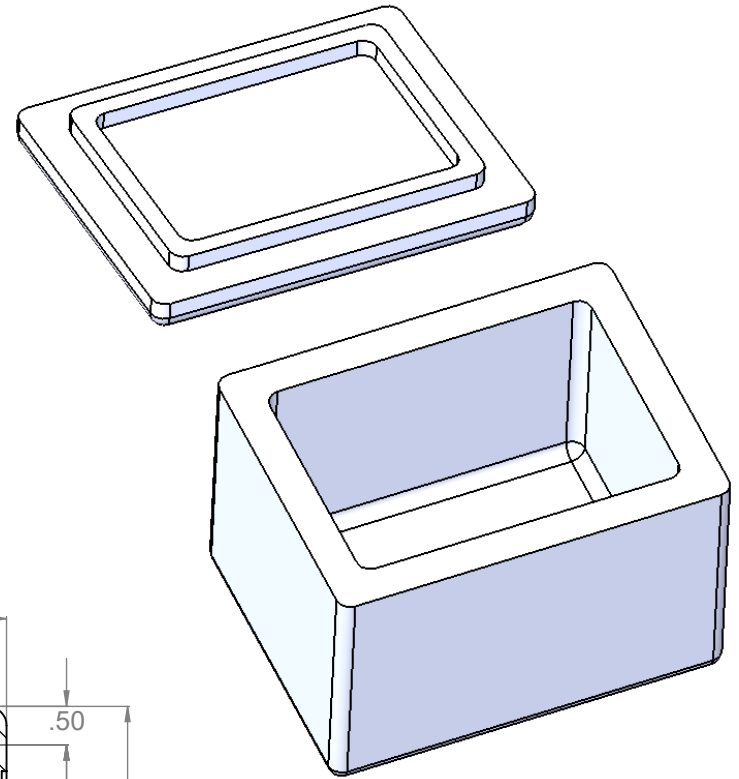


SECTION A-A



SECTION B-B



STANDARD EPS TOLERANCES
FOR DENSITY 1.12 TO 3.0 PCF

DIM. INCH(MM)	TOL. INC(MM)
0.0 - 6.0(152)	+/- .039 (1)
6.0(152) - 12.0 (305)	+/- .06 (1.5)
12.0(305) - 24.0(610)	+/- .098 (2.5)
24.0(610) - 48.0(1220)	+/- .12 (3)
48.0(1220) - GREATER	+/- .20 (5)

PROPRIETARY AND CONFIDENTIAL

THE INFORMATION CONTAINED
IN THIS DRAWING IS THE SOLE
PROPERTY OF marko foam
production ANY REPRODUCTION
IN PART OR AS A WHOLE WITHOUT
THE WRITTEN PERMISSION OF
marko foam production IS PROHIBITED.

MATERIAL
EPS - 1.25 PCF

FINISH

DO NOT SCALE DRAWING

NAME	DATE
DRAWN	
CHECKED	
ENG APPR. Ilir Bordoniqi	04/12/10
MFG APPR.	
Q.A.	

COMMENTS:
CAVITY VOLUME
V=44 cu. in.

SIZE	DWG. NO.	REV.
A		
SCALE:1:2.5	WEIGHT:	SHEET 1 OF 1