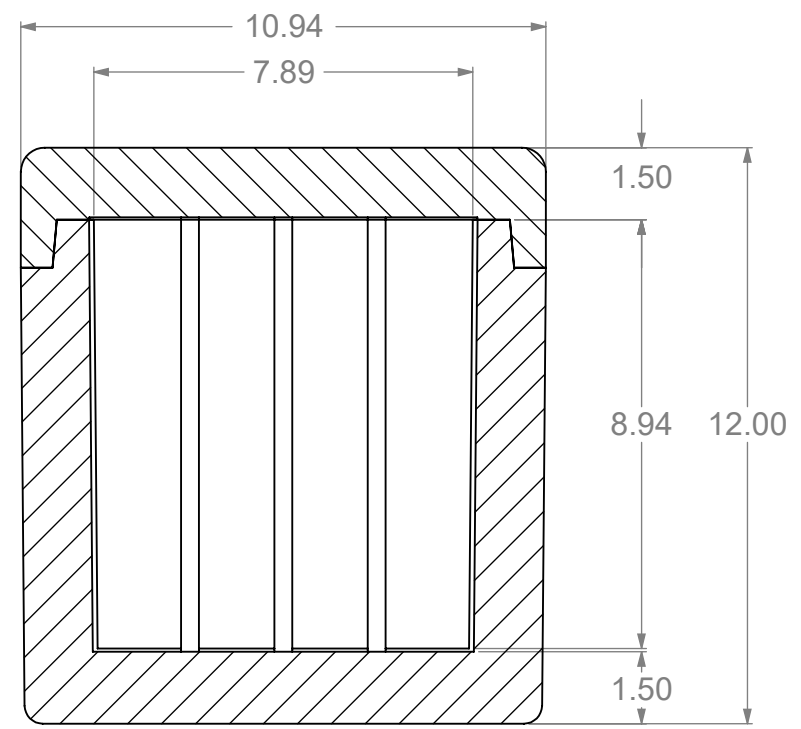
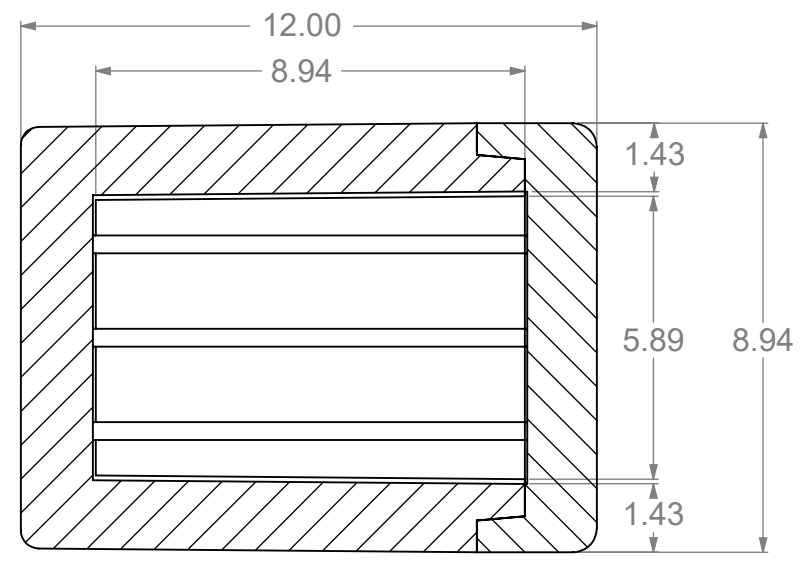
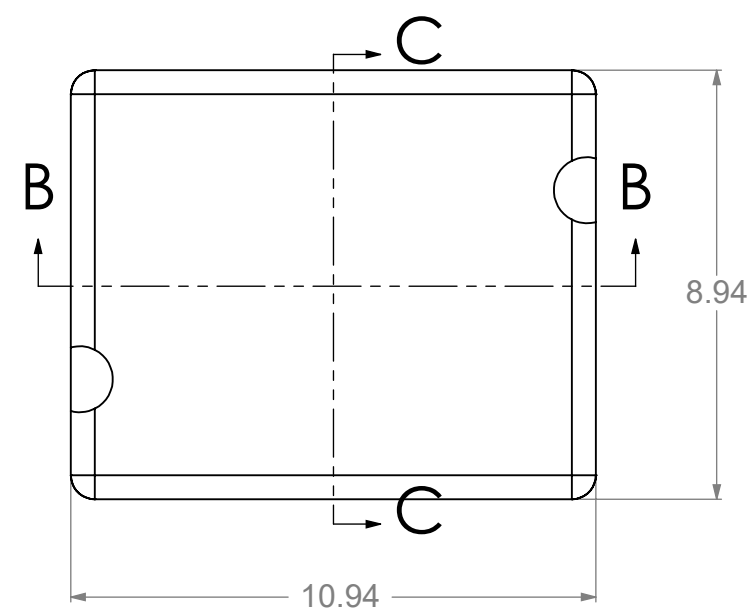


8 7 6 5 4 3 2 1

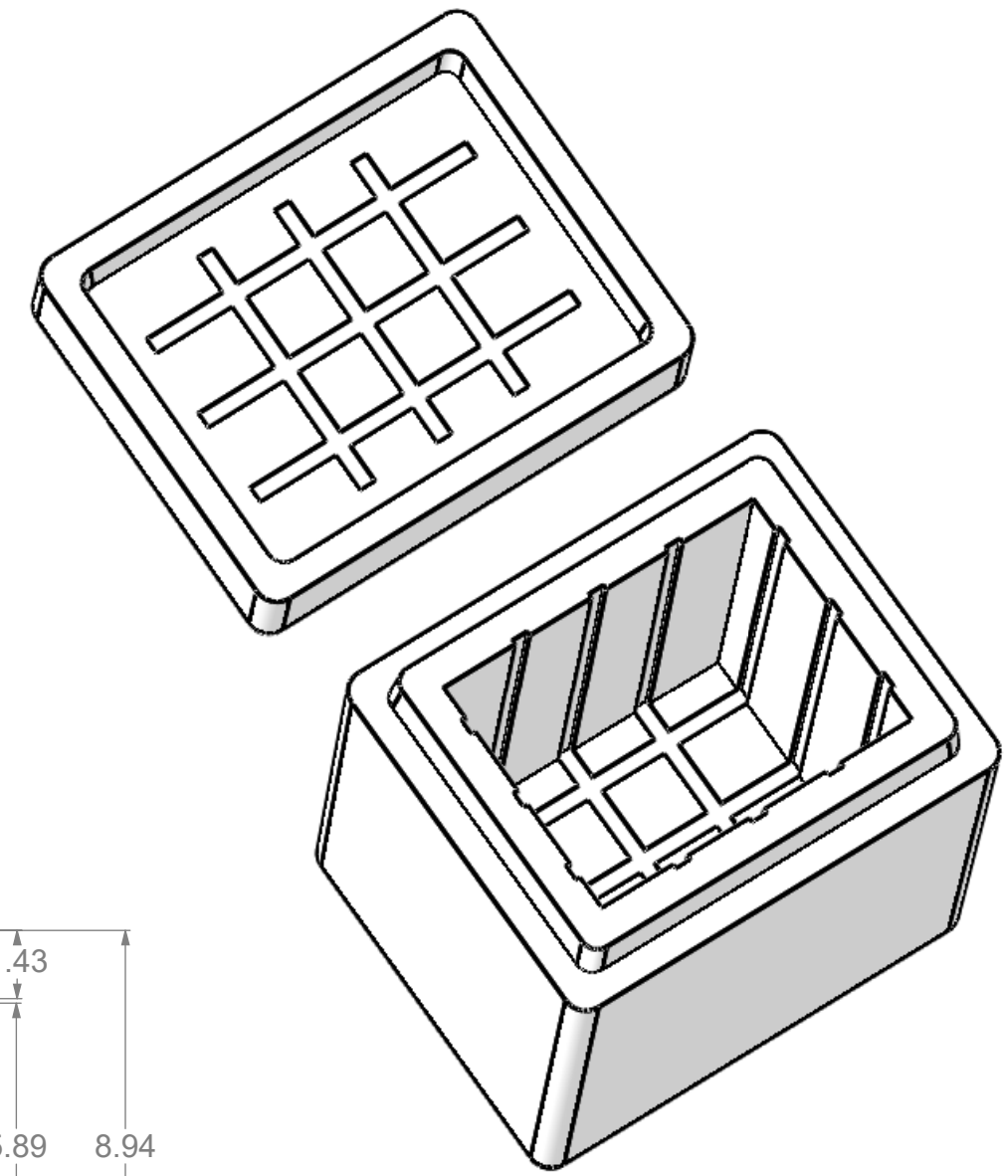
D  
C  
B  
A



SECTION B-B




SECTION C-C



**STANDARD EPS TOLERANCES FOR DENSITY 1.12 TO 3.0 PCF**

| DIM. INCH(MM)          | TOL. INC(MM)   |
|------------------------|----------------|
| 0.0 - 6.0(152)         | +/- .039 (1)   |
| 6.0(152) - 12.0 (305)  | +/- .06 (1.5)  |
| 12.0(305) - 24.0(610)  | +/- .098 (2.5) |
| 24.0(610) - 48.0(1220) | +/- .12 (3)    |
| 48.0(1220) - GREATER   | +/- .20 (5)    |

|   |                                |                |              |   |
|---|--------------------------------|----------------|--------------|---|
| <b>PROPRIETARY AND CONFIDENTIAL</b><br>THE INFORMATION CONTAINED IN THIS DRAWING IS THE SOLE PROPERTY OF marko foam production. ANY REPRODUCTION IN PART OR AS A WHOLE WITHOUT THE WRITTEN PERMISSION OF marko foam production IS PROHIBITED. | DRAWN                          | NAME           | DATE         |  |
|   | CHECKED                        |                |              |   |
|   | ENG APPR.                      | Ilir Bordoniqi | 05/20/10     |   |
|   | MFG APPR.                      |                |              |   |
|   | Q.A.                           |                |              |   |
| MATERIAL  | EPS 1.25 PCF                   |                |              | <b>IC - 432</b>   |
| FINISH  | CAVITY VOLUME<br>V=432 cu. in. |                |              |   |
| DO NOT SCALE DRAWING  | SIZE                           | DWG. NO.       | REV.         |   |
|   | SCALE:1:4                      | WEIGHT:        | SHEET 1 OF 1 |   |

8 7 6 5 4 3 2 1