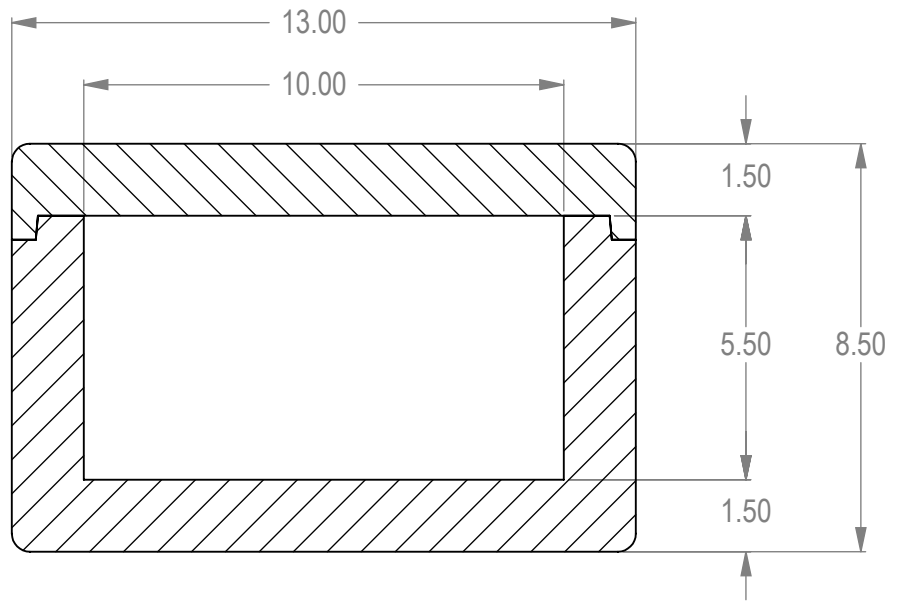


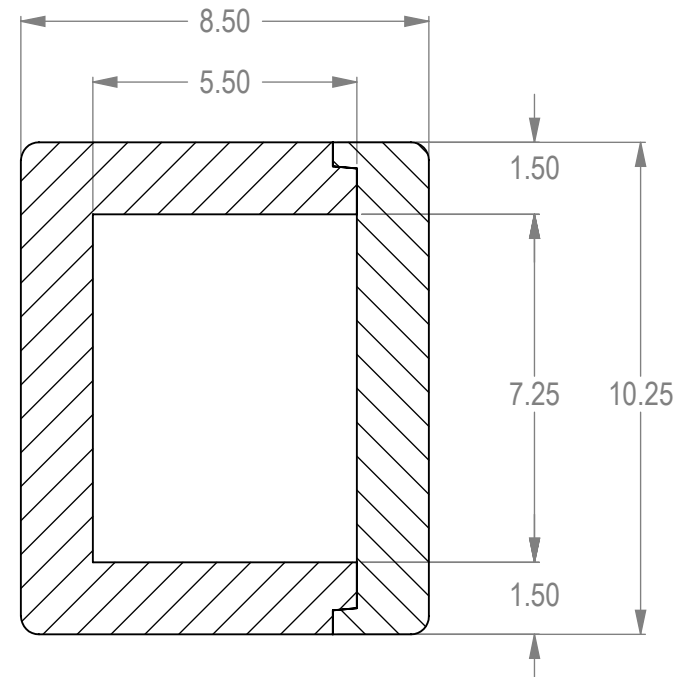
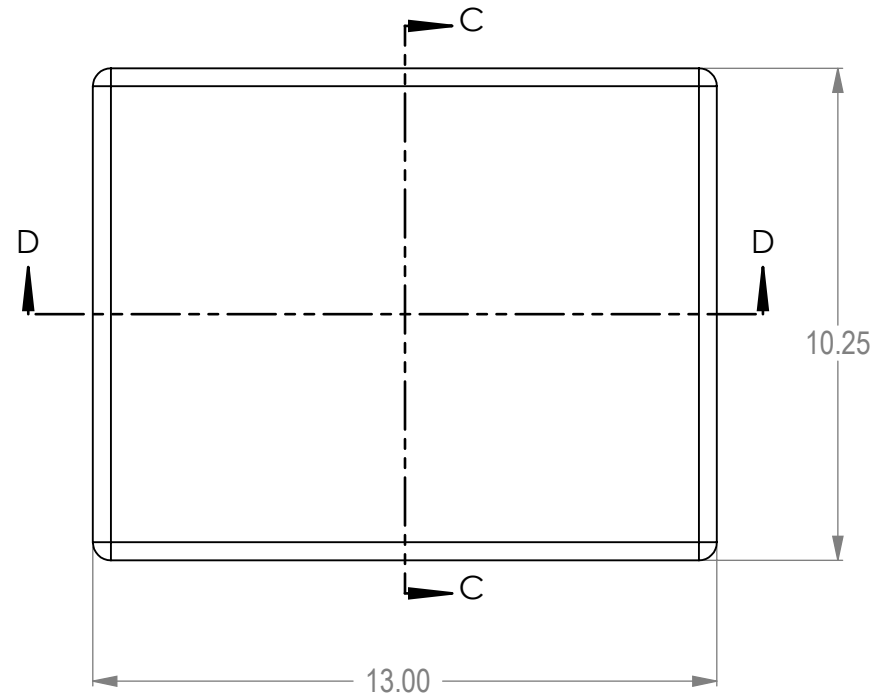
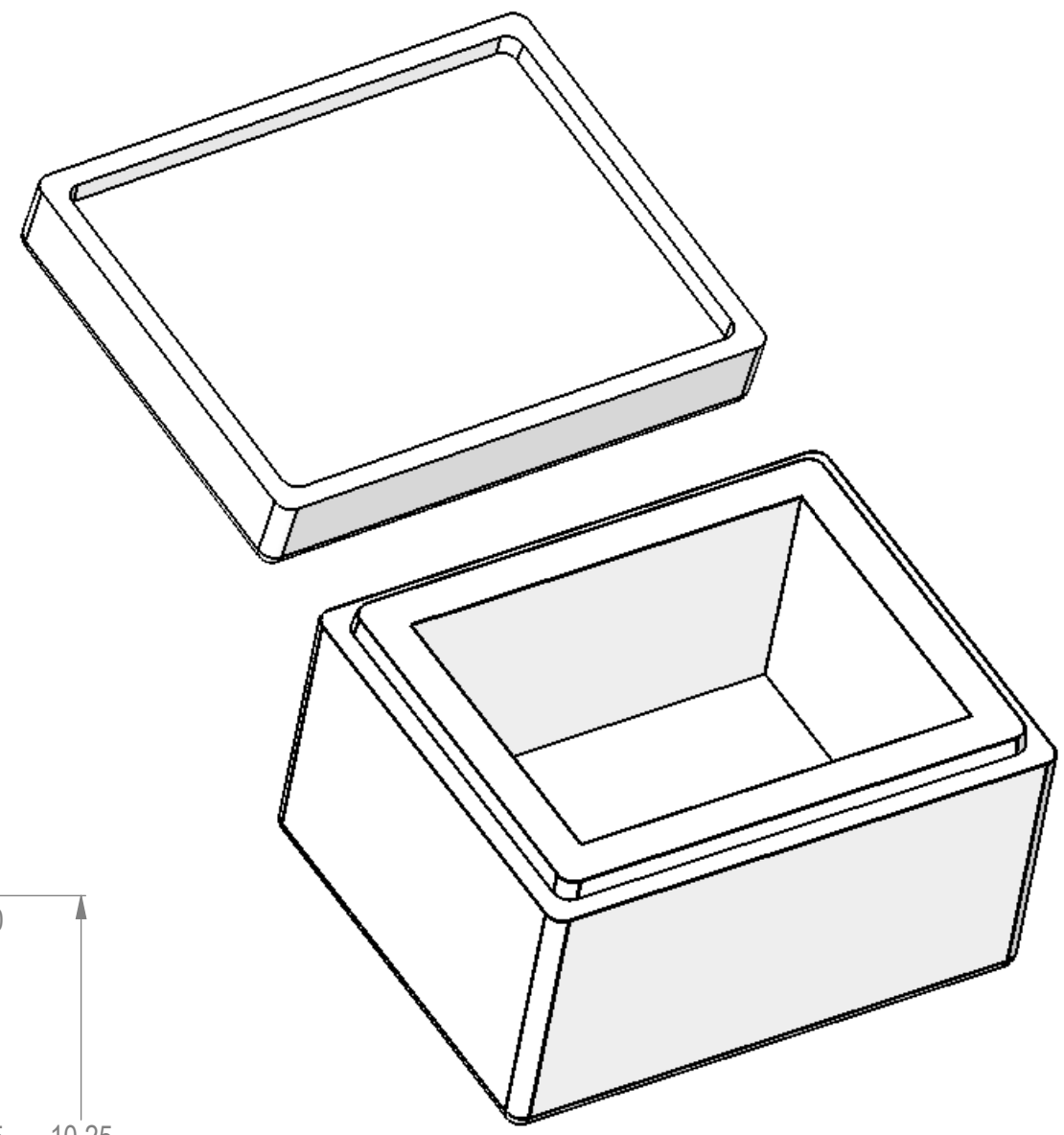
8 7 6 5 4 3 2 1

D  
C  
B  
A

D  
C  
B  
A





SECTION D-D



SECTION C-C

**STANDARD EPS TOLERANCES FOR DENSITY 1.12 TO 3.0 PCF**

DIM. INCH(MM)	TOL. INC(MM)
0.0 - 6.0(152)	+/- .039 (1)
6.0(152) - 12.0 (305)	+/- .06 (1.5)
12.0(305) - 24.0(610)	+/- .098 (2.5)
24.0(610) - 48.0(1220)	+/- .12 (3)
48.0(1220) - GREATER	+/- .20 (5)

<p><b>PROPRIETARY AND CONFIDENTIAL</b></p> <p>THE INFORMATION CONTAINED IN THIS DRAWING IS THE SOLE PROPERTY OF marko foam production ANY REPRODUCTION IN PART OR AS A WHOLE WITHOUT THE WRITTEN PERMISSION OF marko foam production IS PROHIBITED.</p> <p>MATERIAL: <b>EPS 1.25 PCF</b></p> <p>FINISH: <b>DO NOT SCALE DRAWING</b></p>	DRAWN	NAME	DATE	 <p><b>IC-398</b></p>	
	CHECKED				
	ENG APPR.	Ilir Bordoniqi	04/15/10		
	MFG APPR.				
	Q.A.				
COMMENTS:	<p><b>CAVITY VOLUME</b> V=398 cu. in.</p>			<p>SIZE DWG. NO. <b>A</b></p> <p>SCALE:1:4 WEIGHT: SHEET 1 OF 1</p>	REV.

8 7 6 5 4 3 2 1