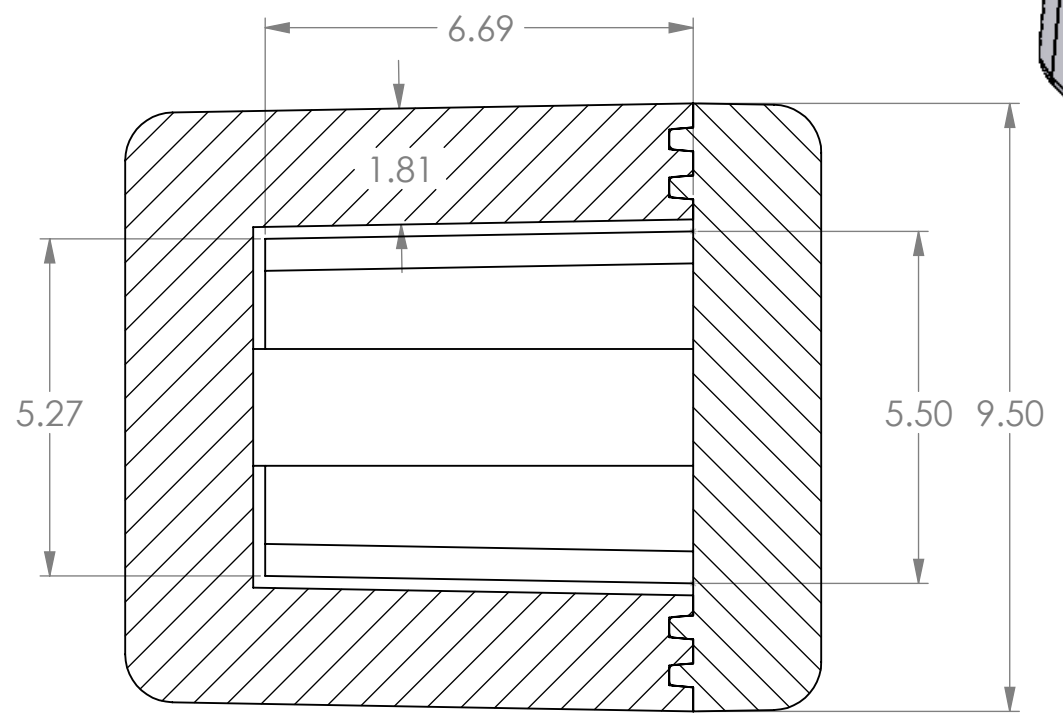
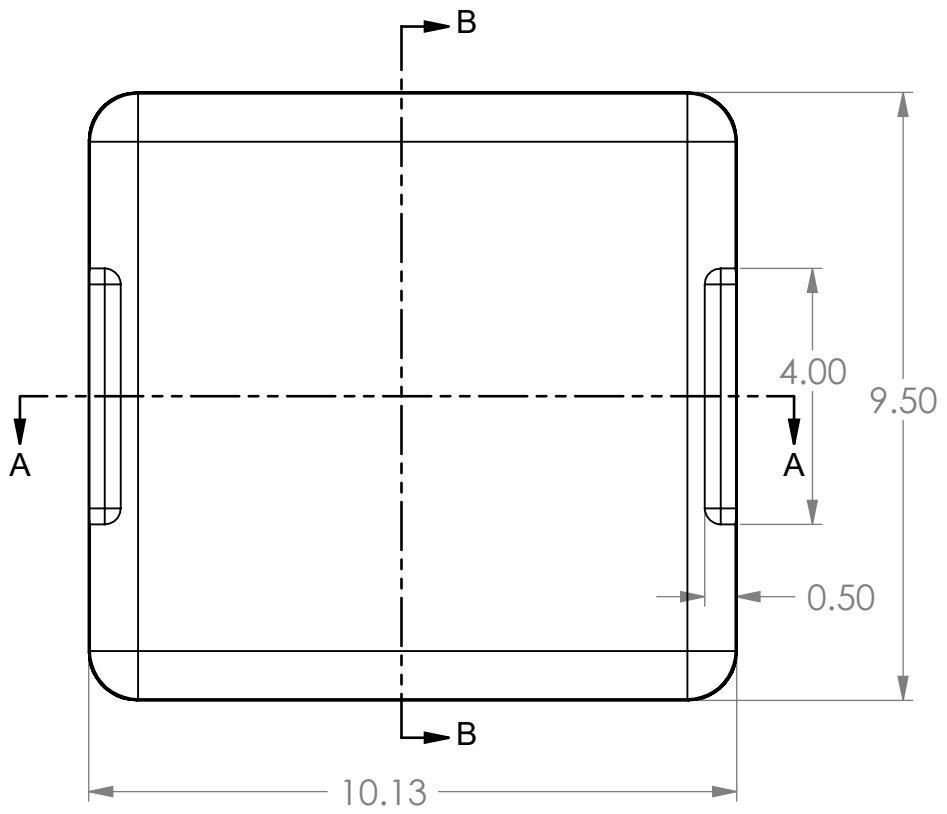
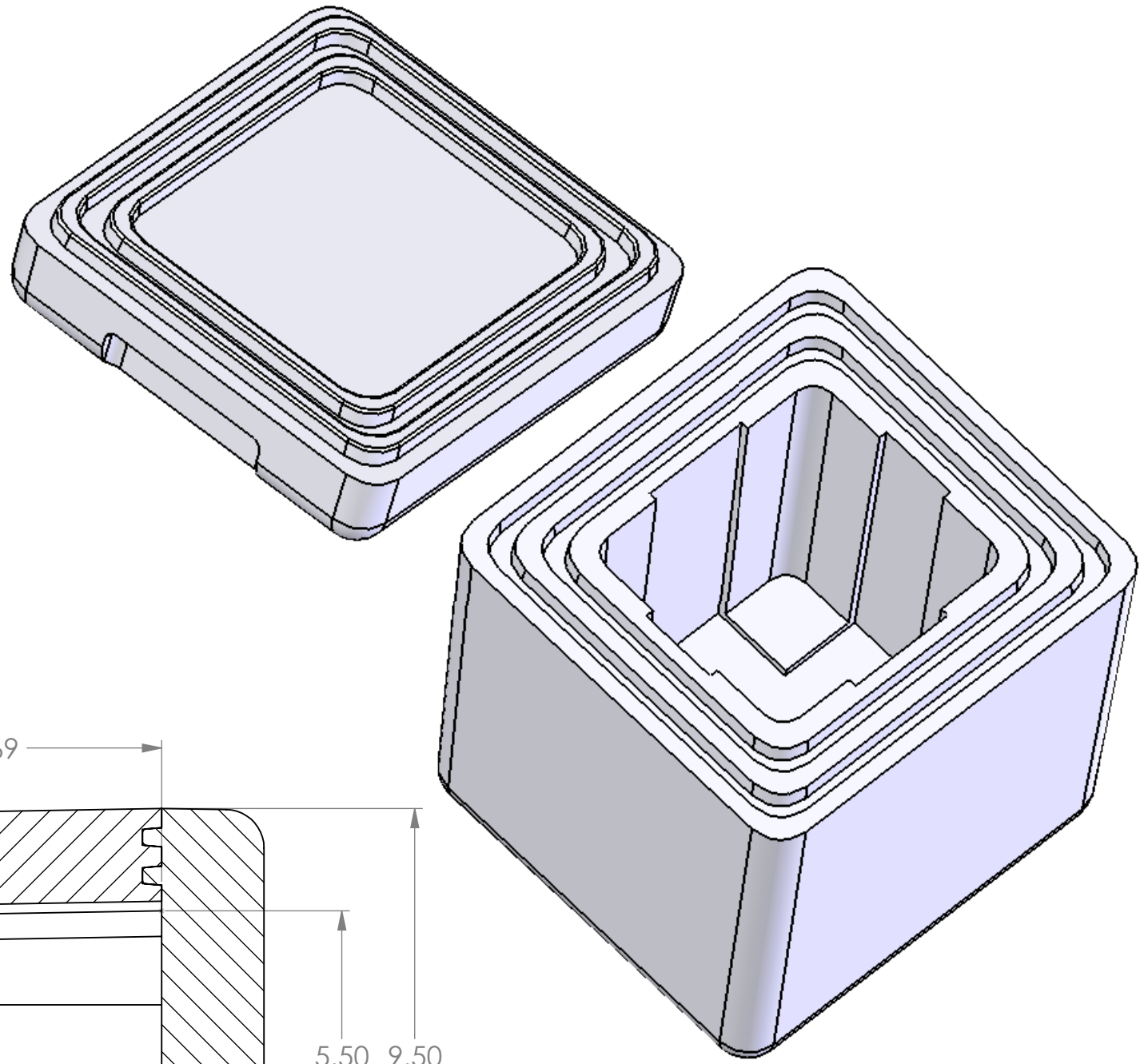
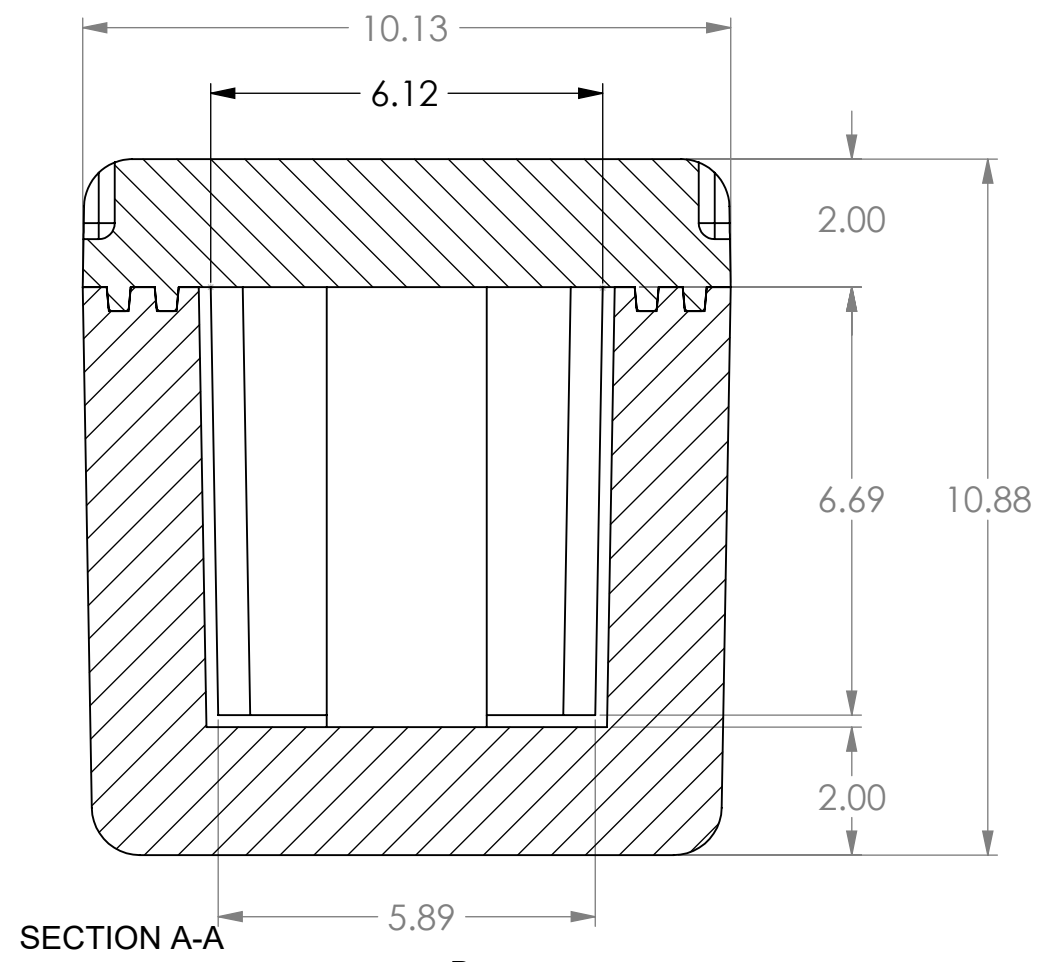


8 7 6 5 4 3 2 1

D
C
B
A



STANDARD EPS TOLERANCES FOR DENSITY 1.12 TO 3.0 PCF

DIM. INCH(MM)	TOL. INC(MM)
0.0 - 6.0"(152)	+/- .039 (1)
6.0(152) - 12.0 (305)	+/- .06 (1.5)
12.0(305) - 24.0(610)	+/- .098 (2.5)
24.0(610) - 48.0(1220)	+/- .12 (3)
48.0(1220) - GREATER	+/- .20 (5)

<p>PROPRIETARY AND CONFIDENTIAL</p> <p>THE INFORMATION CONTAINED IN THIS DRAWING IS THE SOLE PROPERTY OF marko foam production. ANY REPRODUCTION IN PART OR AS A WHOLE WITHOUT THE WRITTEN PERMISSION OF marko foam production IS PROHIBITED.</p> <p>MATERIAL: EPS 1.25 PCF</p> <p>FINISH: DO NOT SCALE DRAWING</p>	DRAWN	NAME	DATE	<p>IC - 365</p>
	CHECKED			
	ENG APPR.	Ilir Bordoniqi	04/14/10	
	MFG APPR.			
	Q.A.			
COMMENTS:	<p>CAVITY VOLUME V=365 cu. in.</p>			<p>SIZE DWG. NO. A</p> <p>SCALE:1:3 WEIGHT: SHEET 1 OF 1</p>