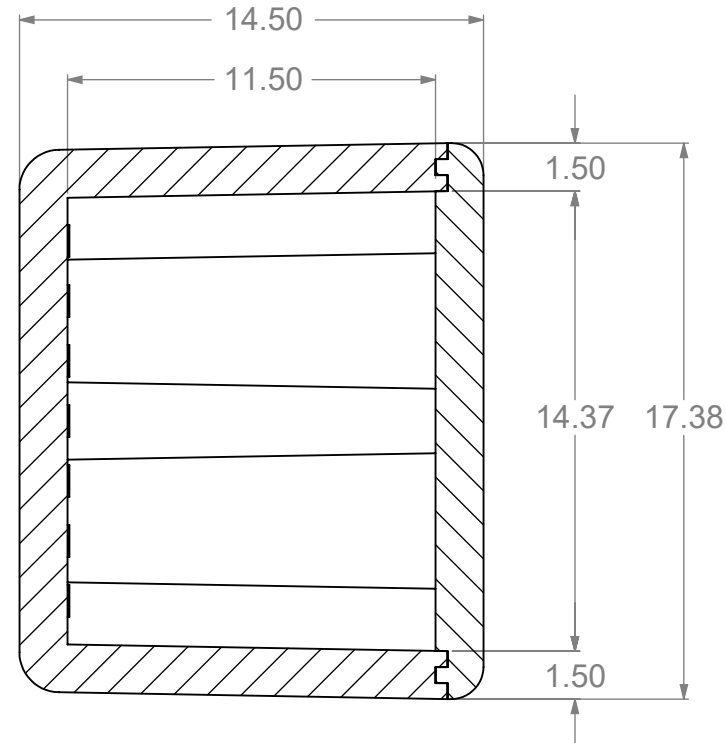
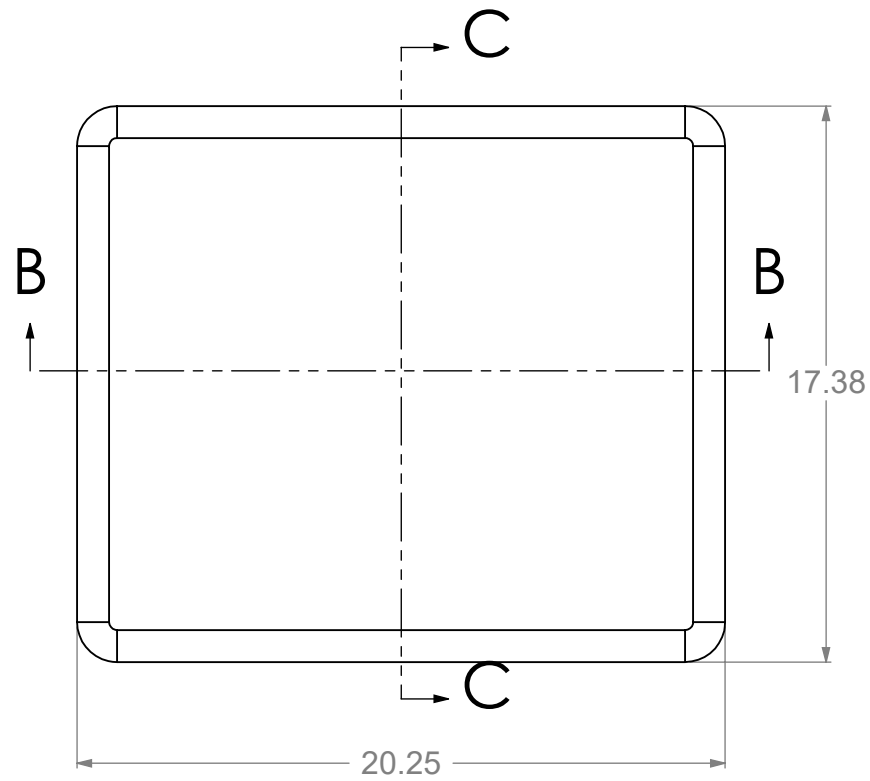
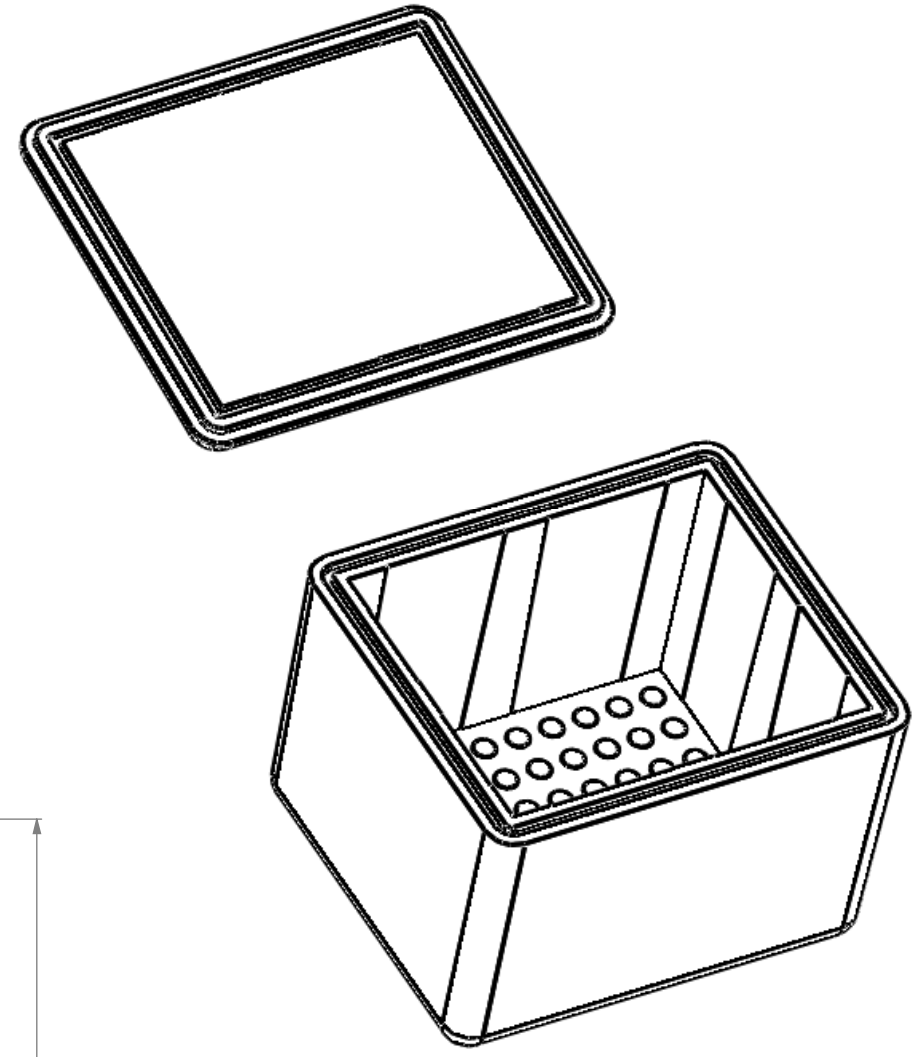



SECTION B-B



SECTION C-C

**STANDARD EPS TOLERANCES FOR DENSITY 1.12 TO 3.0 PCF**

DIM. INCH(MM)	TOL. INC(MM)
0.0 - 6.0"(152)	+/- .039 (1)
6.0(152) - 12.0 (305)	+/- .06 (1.5)
12.0(305) - 24.0(610)	+/- .098 (2.5)
24.0(610) - 48.0(1220)	+/- .12 (3)
48.0(1220) - GREATER	+/- .20 (5)

<b>PROPRIETARY AND CONFIDENTIAL</b> THE INFORMATION CONTAINED IN THIS DRAWING IS THE SOLE PROPERTY OF marko foam production ANY REPRODUCTION IN PART OR AS A WHOLE WITHOUT THE WRITTEN PERMISSION OF marko foam production IS PROHIBITED.	DRAWN	NAME	DATE	
	CHECKED			
	ENG APPR.	Ilir Bordoniqi	06-08-10	
	MFG APPR.			
MATERIAL	EPS 1.25 PCF			<b>IC - 3000</b>
FINISH	DO NOT SCALE DRAWING			
COMMENTS:				REV.
CAVITY VOLUME V=3000 cu. in.				SCALE: 1:6
				WEIGHT:
				SHEET 1 OF 1