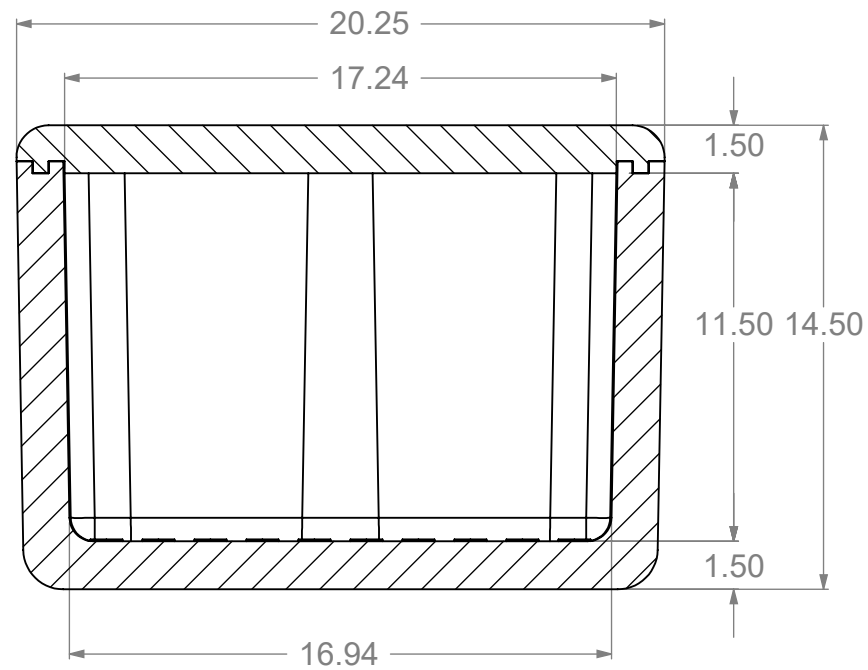
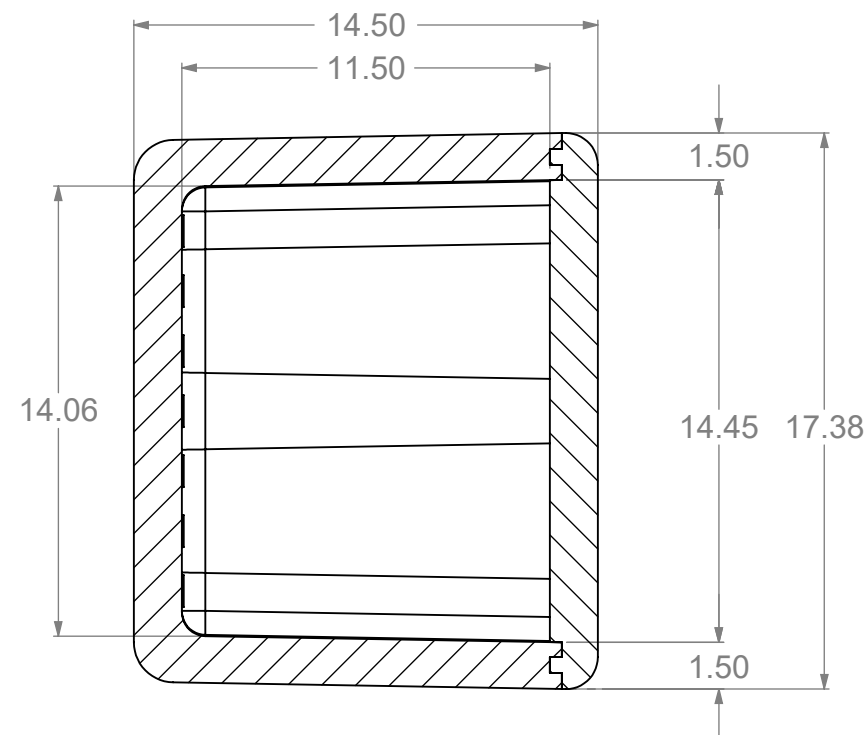
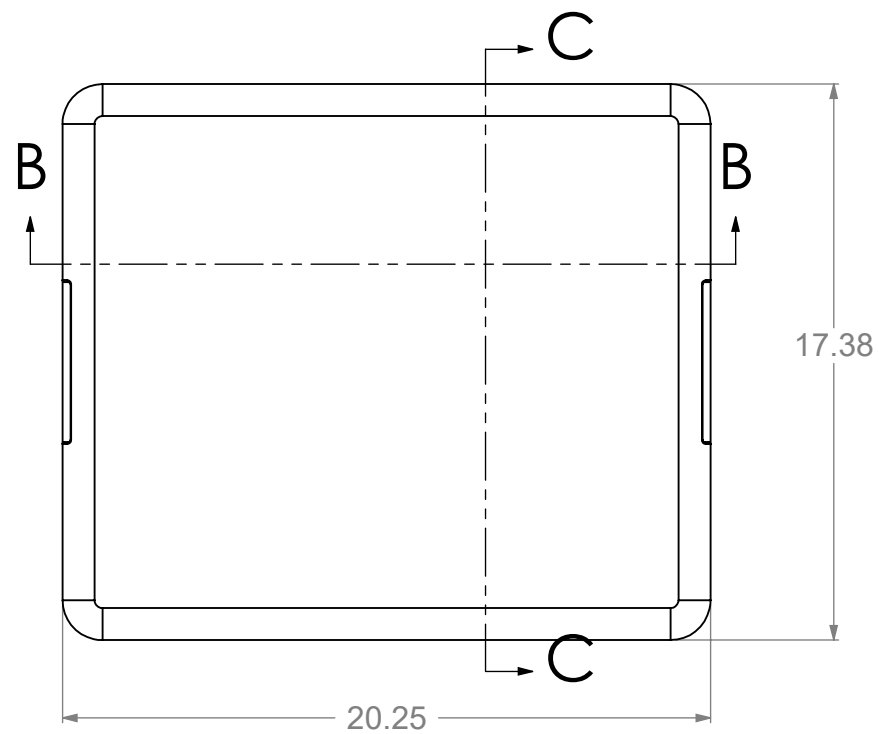
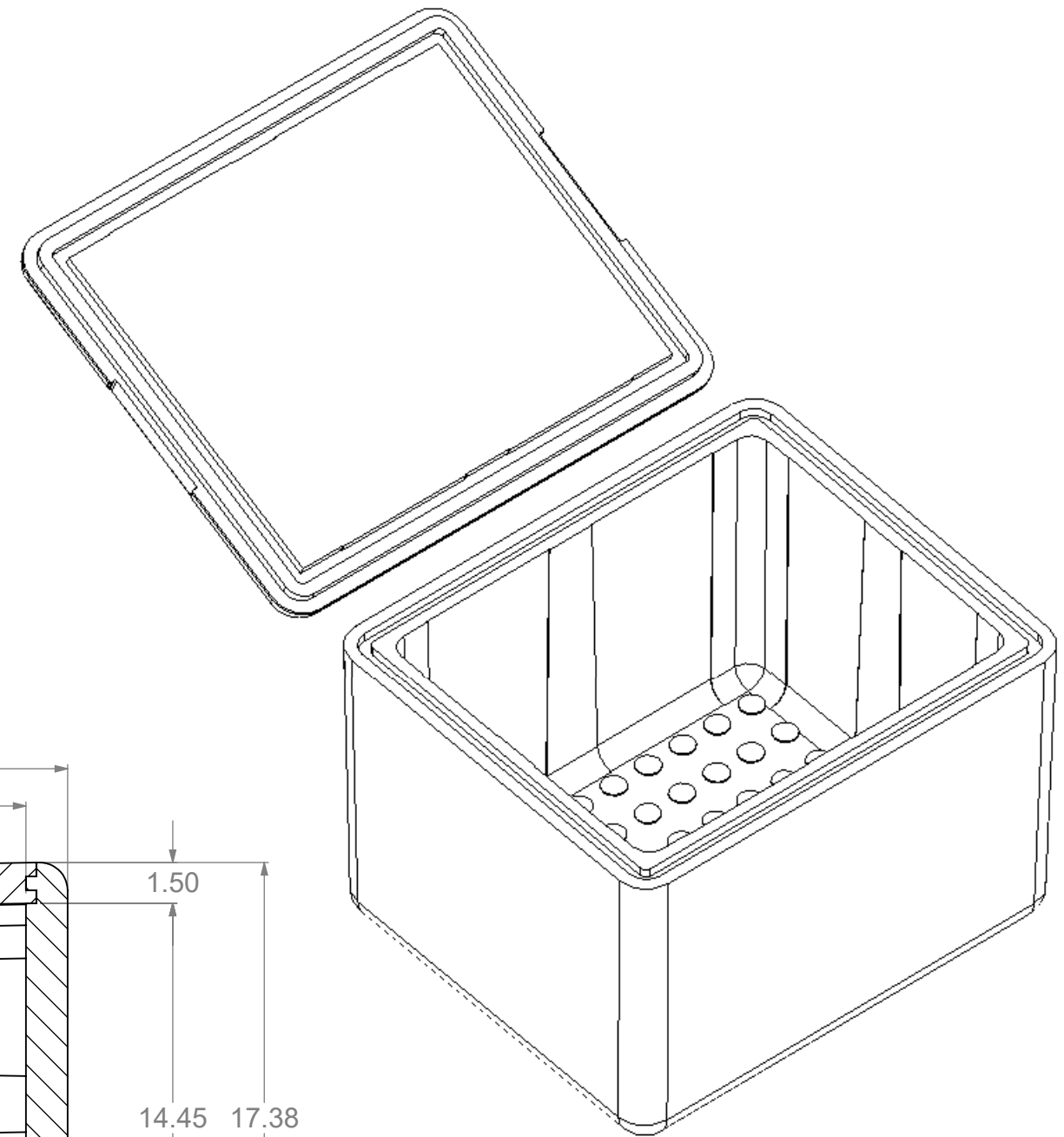


8 7 6 5 4 3 2 1



SECTION B-B



SECTION C-C

**STANDARD EPS TOLERANCES FOR DENSITY 1.12 TO 3.0 PCF**

DIM. INCH(MM)	TOL. INC(MM)
0.0 - 6.0(152)	+/- .039 (1)
6.0(152) - 12.0(305)	+/- .06 (1.5)
12.0(305) - 24.0(610)	+/- .098 (2.5)
24.0(610) - 48.0(1220)	+/- .12 (3)
48.0(1220) - GREATER	+/- .20 (5)

<b>PROPRIETARY AND CONFIDENTIAL</b> THE INFORMATION CONTAINED IN THIS DRAWING IS THE SOLE PROPERTY OF marko foam production ANY REPRODUCTION IN PART OR AS A WHOLE WITHOUT THE WRITTEN PERMISSION OF marko foam production IS PROHIBITED.	DRAWN	NAME	DATE	<b>marko</b> foam products inc	
	CHECKED				
	ENG APPR.	Ilir Bordoniqi	02/28/17		
	MFG APPR.				
MATERIAL	EPS 1.25 PCF		Q.A.	<b>IC - 2852</b>	
FINISH	DO NOT SCALE DRAWING		COMMENTS:		
			CAVITY VOLUME	SIZE DWG. NO.	REV.
			V=2852 cu. in.	<b>A</b>	
			SCALE:1:6	WEIGHT:	SHEET 1 OF 1

8 7 6 5 4 3 2 1