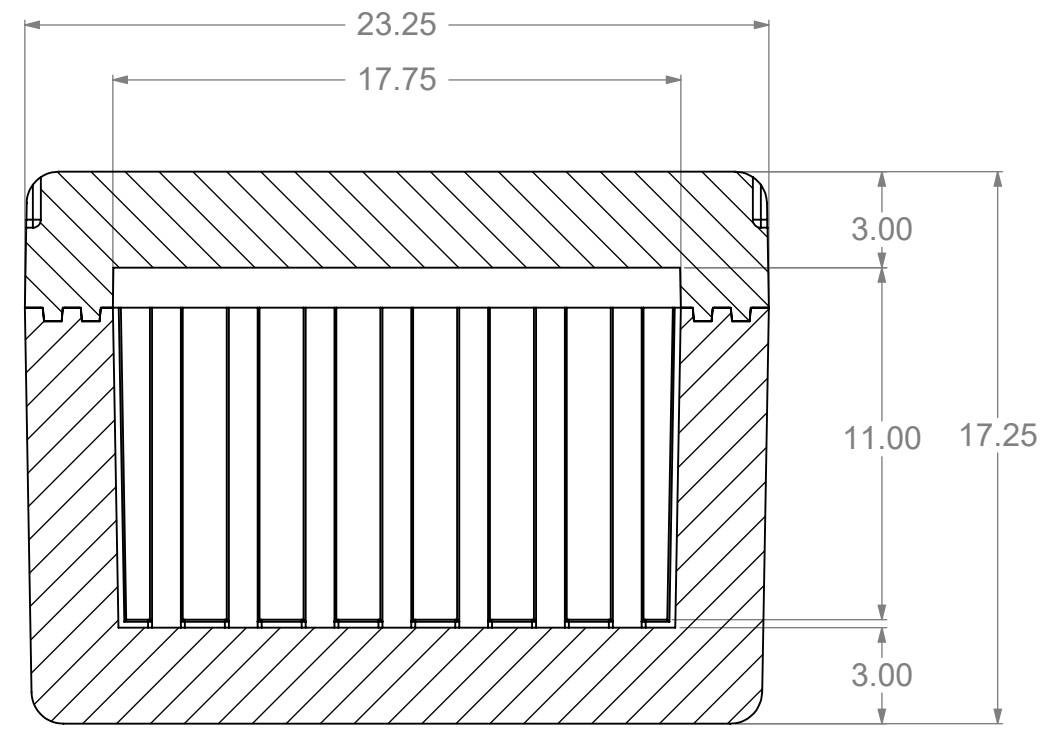
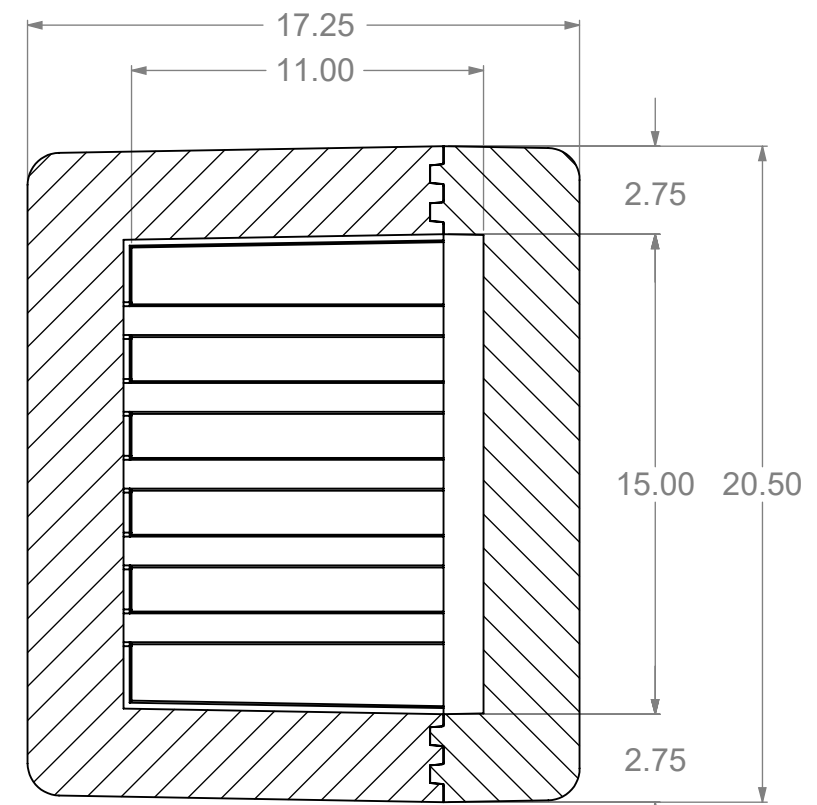
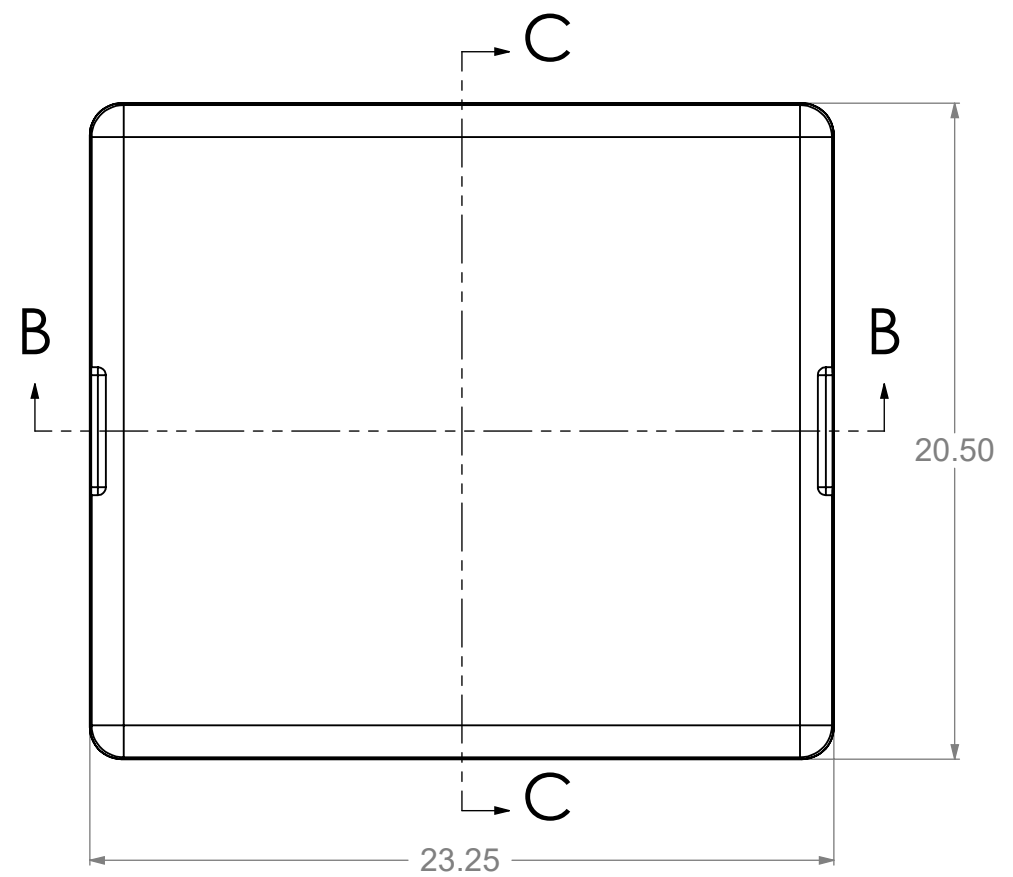


8 7 6 5 4 3 2 1

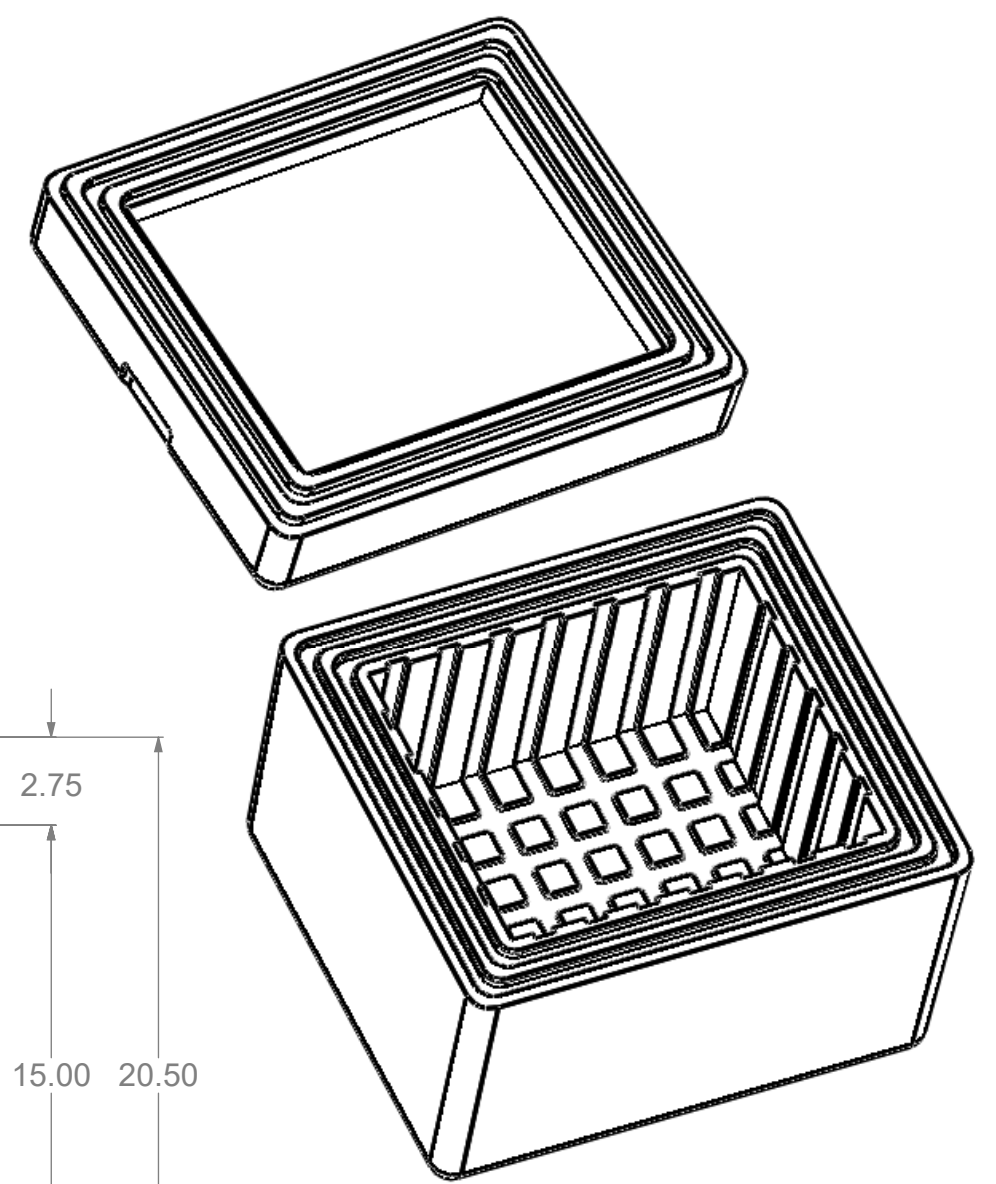
D
C
B
A



SECTION B-B



SECTION C-C



STANDARD EPS TOLERANCES FOR DENSITY 1.12 TO 3.0 PCF

DIM. INCH(MM)	TOL. INC(MM)
0.0 - 6.0(152)	+/- .039 (1)
6.0(152) - 12.0(305)	+/- .06 (1.5)
12.0(305) - 24.0(610)	+/- .098 (2.5)
24.0(610) - 48.0(1220)	+/- .12 (3)
48.0(1220) - GREATER	+/- .20 (5)

PROPRIETARY AND CONFIDENTIAL
 THE INFORMATION CONTAINED IN THIS DRAWING IS THE SOLE PROPERTY OF marko foam production. ANY REPRODUCTION IN PART OR AS A WHOLE WITHOUT THE WRITTEN PERMISSION OF marko foam production IS PROHIBITED.

MATERIAL: EPS 1.25 PCF
 FINISH: DO NOT SCALE DRAWING

	NAME	DATE
DRAWN		
CHECKED		
ENG APPR.	Iir Bordoniqi	06-08-10
MFG APPR.		
Q.A.		
COMMENTS:	CAVITY VOLUME V=2814 cu. in.	

marko
foam products inc

IC - 2814

SIZE DWG. NO. **A** REV.
 SCALE:1:6 WEIGHT: SHEET 1 OF 1

8 7 6 5 4 3 2 1