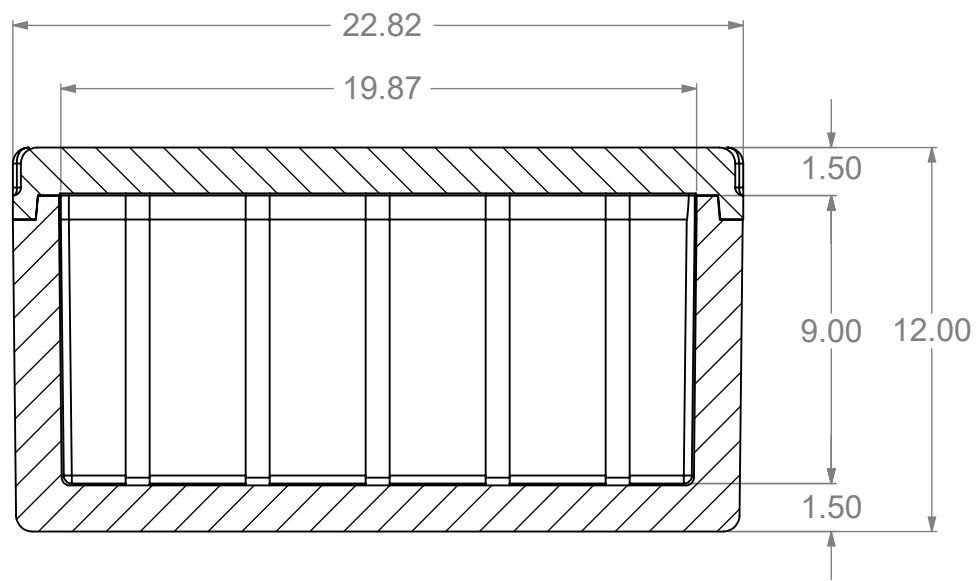
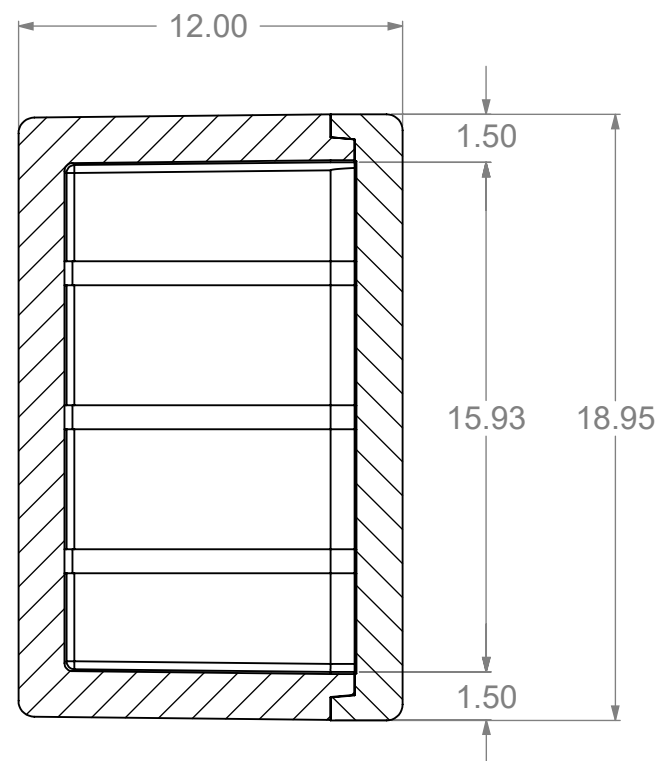
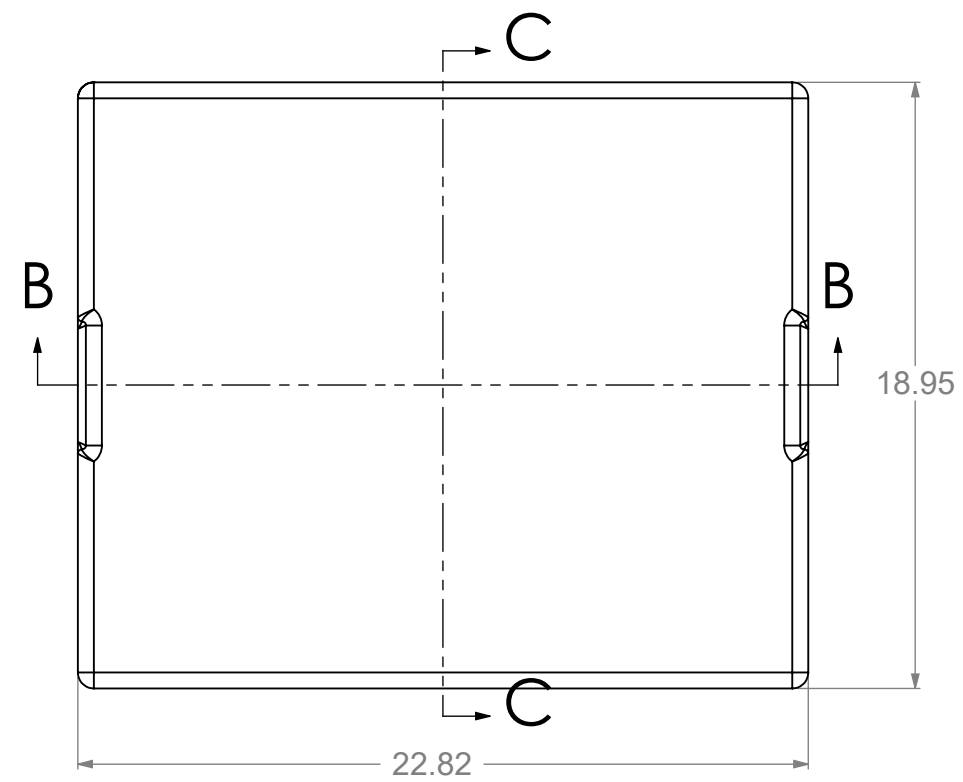
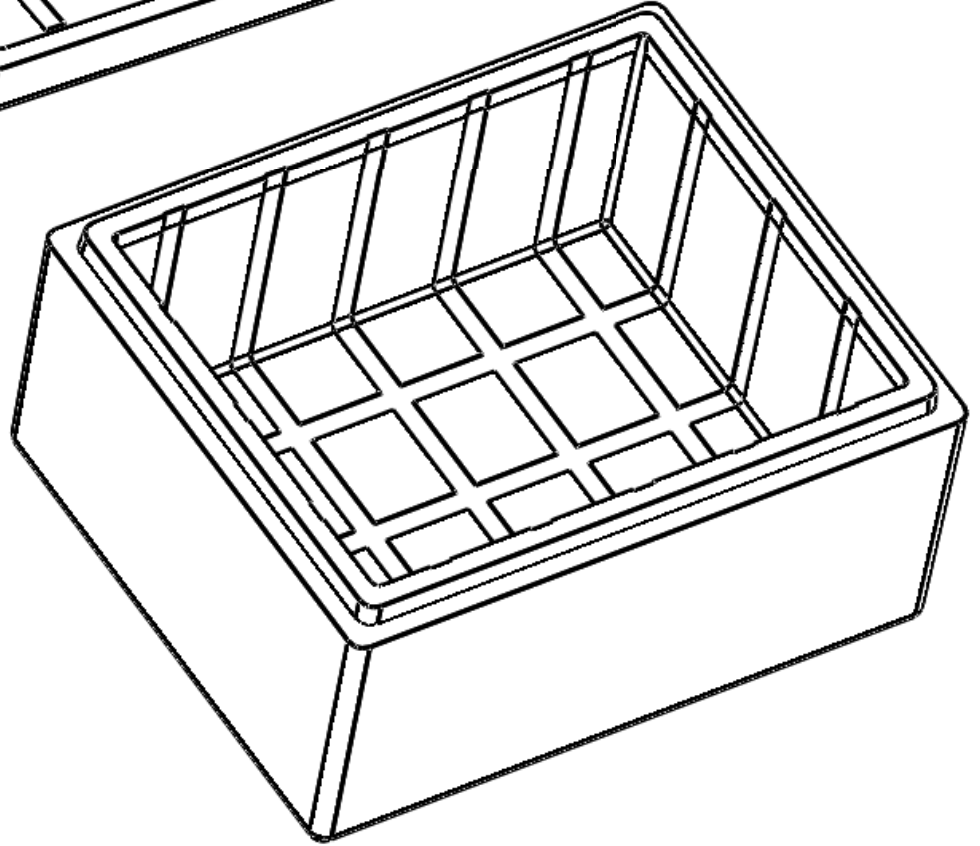
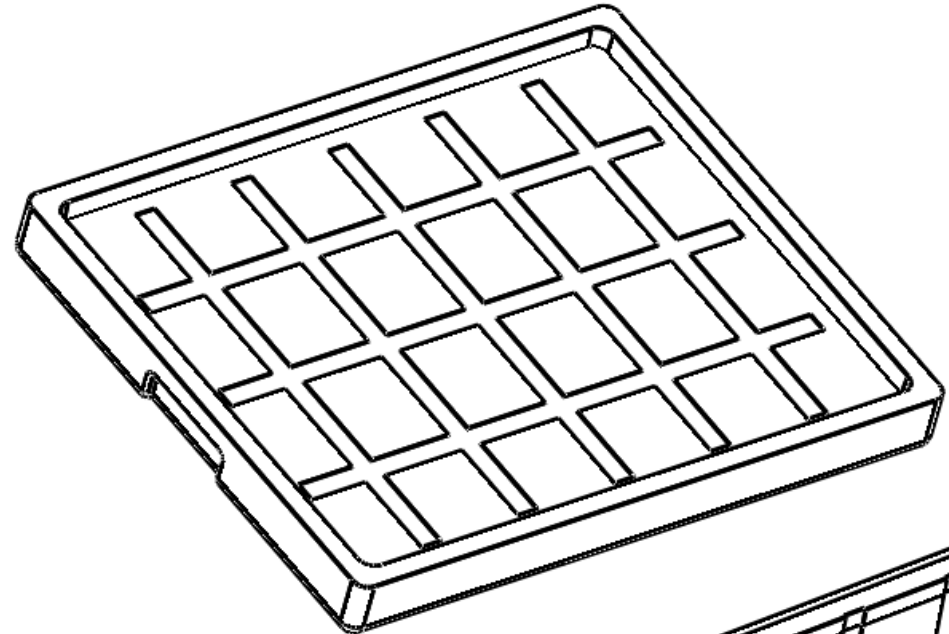


8 7 6 5 4 3 2 1




SECTION B-B



SECTION C-C

STANDARD EPS TOLERANCES FOR DENSITY 1.12 TO 3.0 PCF

DIM. INCH(MM)	TOL. INC(MM)
0.0 - 6.0(152)	+/- .039 (1)
6.0(152) - 12.0 (305)	+/- .06 (1.5)
12.0(305) - 24.0(610)	+/- .098 (2.5)
24.0(610) - 48.0(1220)	+/- .12 (3)
48.0(1220) - GREATER	+/- .20 (5)

<b>PROPRIETARY AND CONFIDENTIAL</b> THE INFORMATION CONTAINED IN THIS DRAWING IS THE SOLE PROPERTY OF marko foam production. ANY REPRODUCTION IN PART OR AS A WHOLE WITHOUT THE WRITTEN PERMISSION OF marko foam production IS PROHIBITED. MATERIAL: <b>EPS 1.25 PCF</b> FINISH: <b>DO NOT SCALE DRAWING</b>	DRAWN	NAME	DATE	 <b>IC - 2783</b>
	CHECKED			
	ENG APPR.	Ilir Bordoniqi	06-08-10	
	MFG APPR.			
	Q.A.			
	COMMENTS:			
	CAVITY VOLUME			
	V=2783 cu. in.			
	SIZE DWG. NO.	REV.		
	<b>A</b>			
	SCALE:1:6	WEIGHT:	SHEET 1 OF 1	

8 7 6 5 4 3 2 1