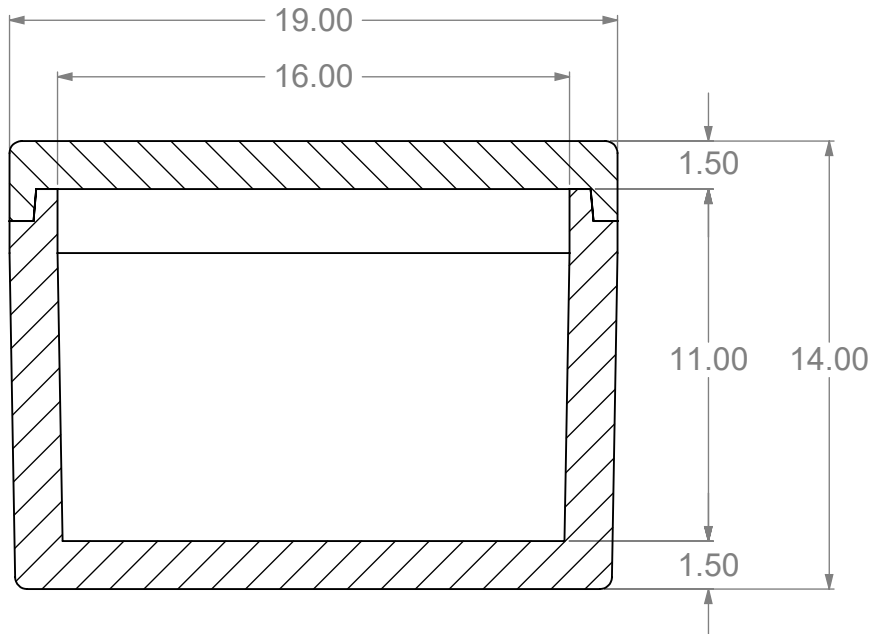
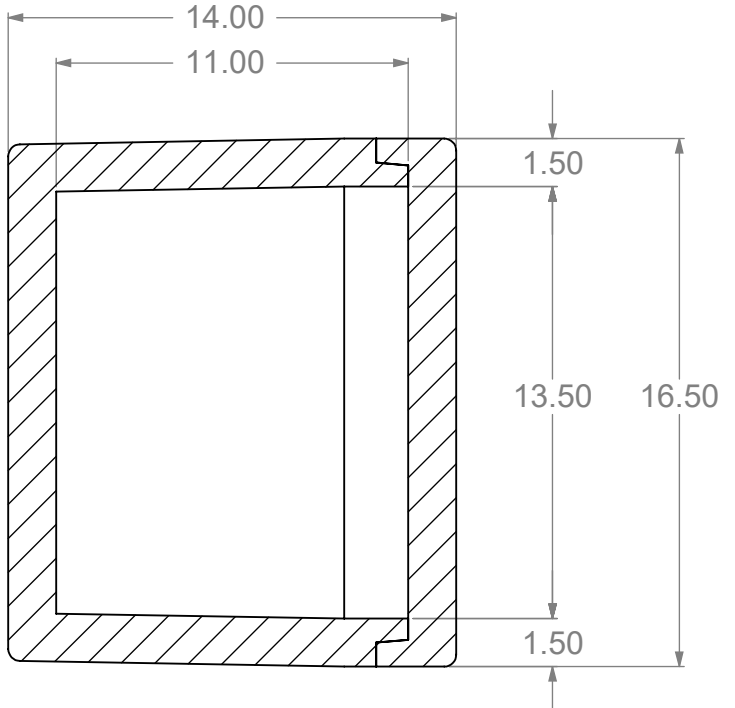
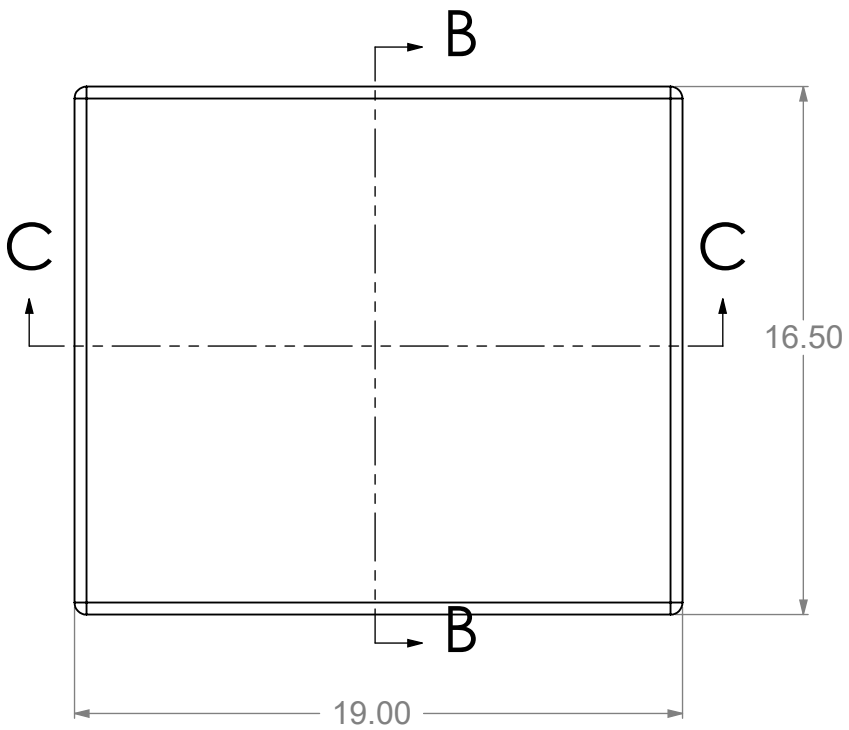


8 7 6 5 4 3 2 1

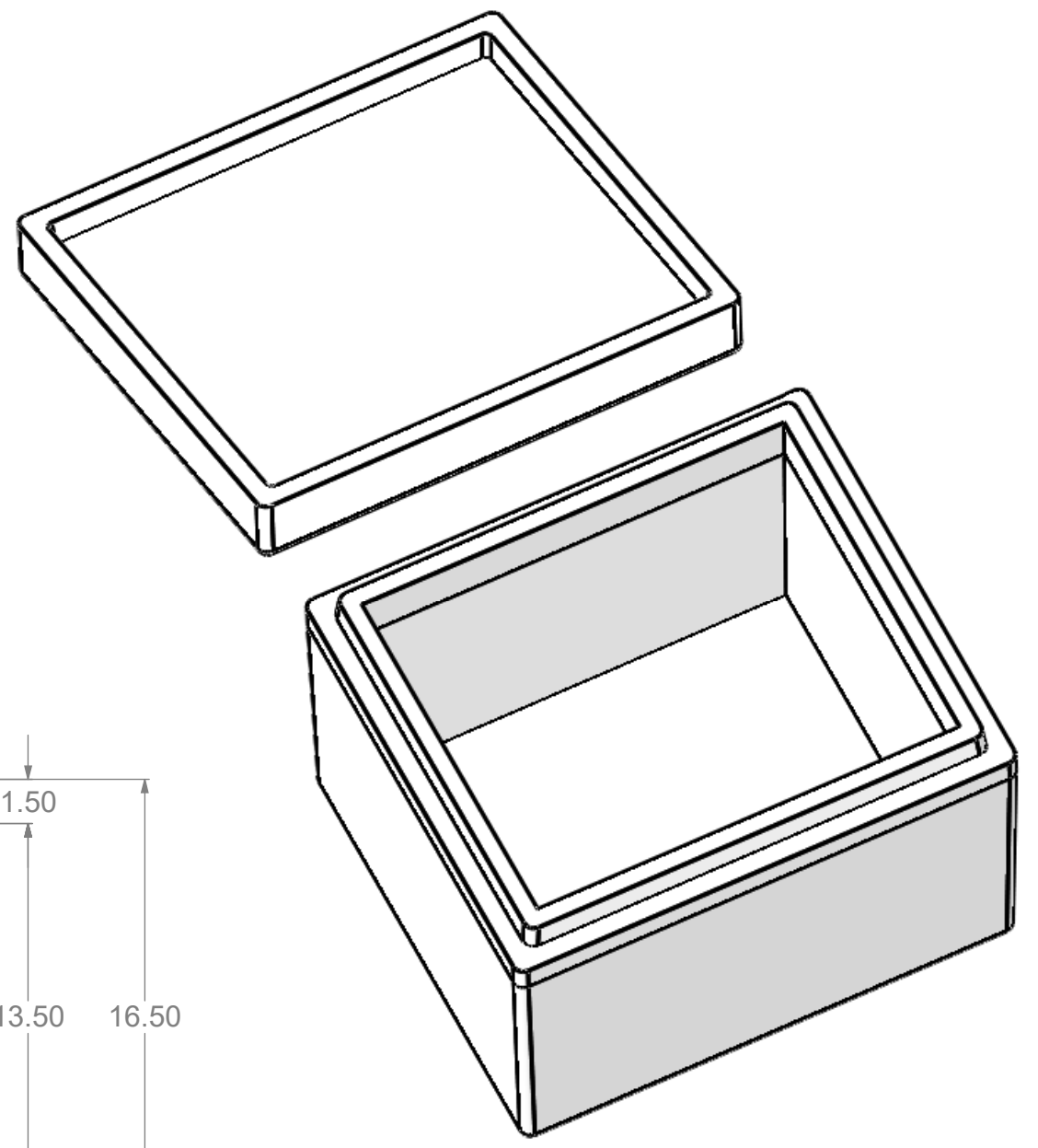
D
C
B
A



SECTION C-C





SECTION B-B



STANDARD EPS TOLERANCES FOR DENSITY 1.12 TO 3.0 PCF

DIM. INCH(MM)	TOL. INC(MM)
0.0 - 6.0(152)	+/- .039 (1)
6.0(152) - 12.0 (305)	+/- .06 (1.5)
12.0(305) - 24.0(610)	+/- .098 (2.5)
24.0(610) - 48.0(1220)	+/- .12 (3)
48.0(1220) - GREATER	+/- .20 (5)

<p>PROPRIETARY AND CONFIDENTIAL</p> <p>THE INFORMATION CONTAINED IN THIS DRAWING IS THE SOLE PROPERTY OF marko foam production. ANY REPRODUCTION IN PART OR AS A WHOLE WITHOUT THE WRITTEN PERMISSION OF marko foam production IS PROHIBITED.</p> <p>MATERIAL: EPS 1.25 PCF</p> <p>FINISH: DO NOT SCALE DRAWING</p>	DRAWN	NAME	DATE	 <p>marko foam products inc</p> <p>IC - 2376</p>	
	CHECKED				
	ENG APPR.	Ilir Bordoniqi	06-08-10		
	MFG APPR.				
	Q.A.				
	COMMENTS:				
	CAVITY VOLUME			SIZE DWG. NO.	REV.
	V=2376 cu. in.			A	
	SCALE:1:6	WEIGHT:		SHEET 1 OF 1	

8 7 6 5 4 3 2 1