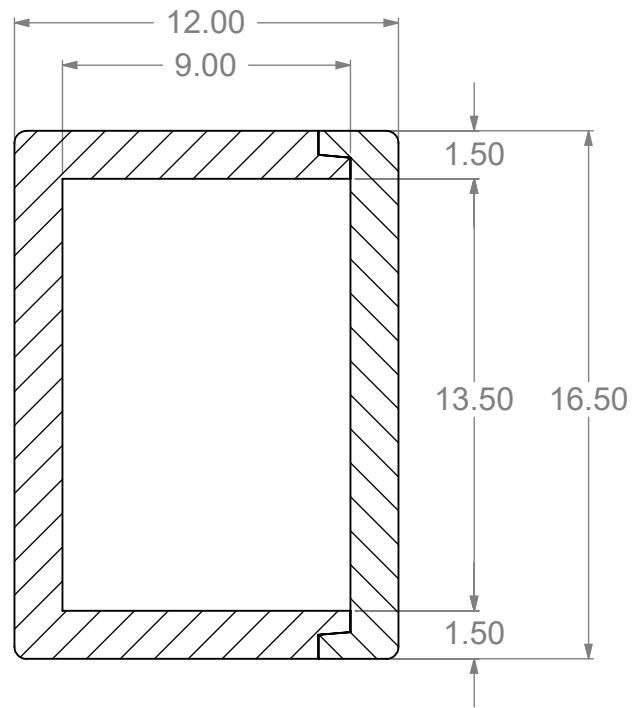
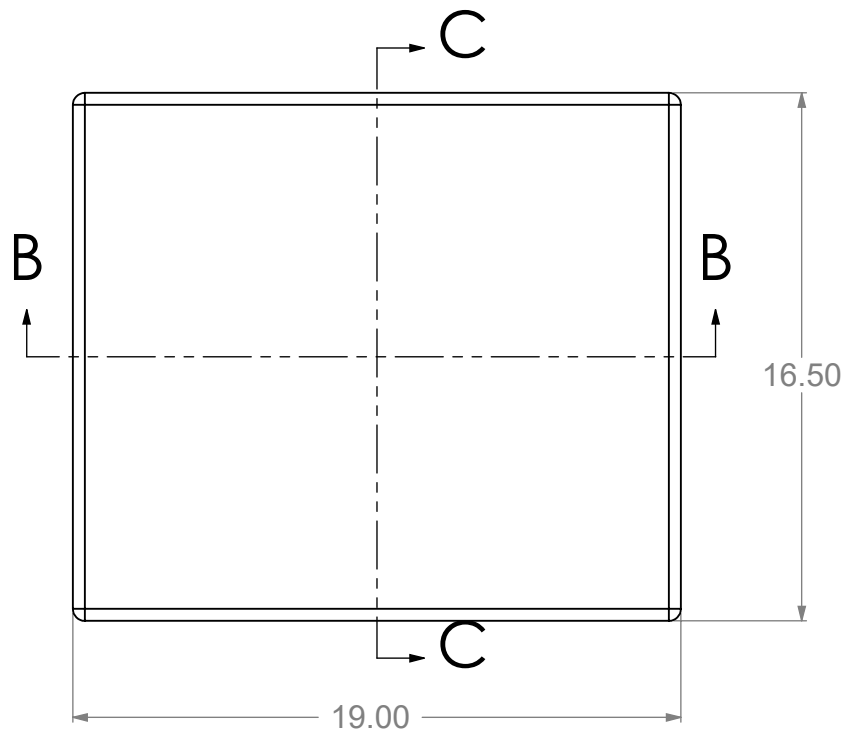
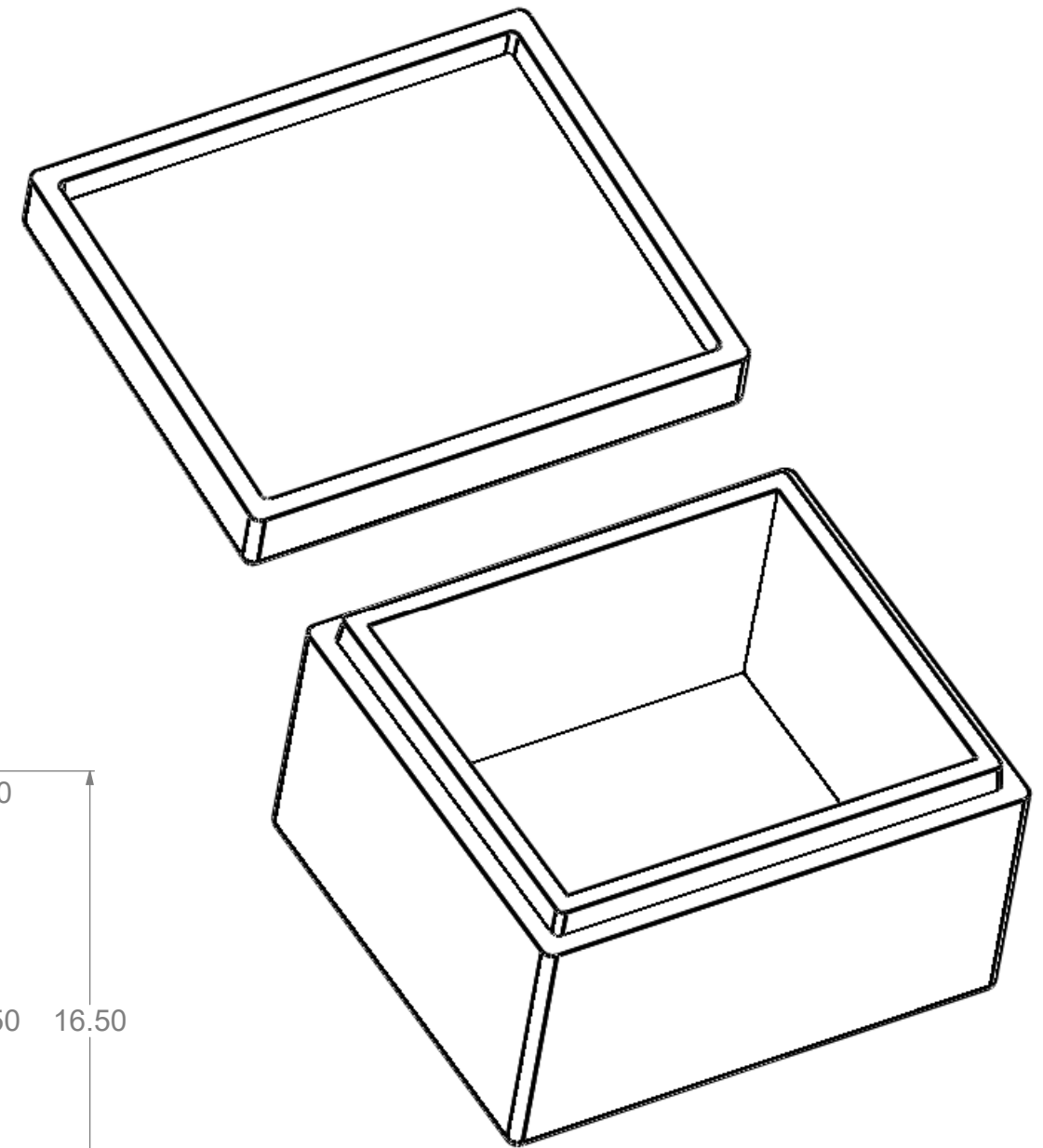


SECTION B-B




SECTION C-C



STANDARD EPS TOLERANCES FOR DENSITY 1.12 TO 3.0 PCF

| DIM. INCH(MM) | TOL. INC(MM) |
|------------------------|----------------|
| 0.0 - 6.0(152) | +/- .039 (1) |
| 6.0(152) - 12.0 (305) | +/- .06 (1.5) |
| 12.0(305) - 24.0(610) | +/- .098 (2.5) |
| 24.0(610) - 48.0(1220) | +/- .12 (3) |
| 48.0(1220) - GREATER | +/- .20 (5) |

| | | | | |
|---|----------------------|----------------|----------------|---|
| PROPRIETARY AND CONFIDENTIAL THE INFORMATION CONTAINED IN THIS DRAWING IS THE SOLE PROPERTY OF marko foam production. ANY REPRODUCTION IN PART OR AS A WHOLE WITHOUT THE WRITTEN PERMISSION OF marko foam production IS PROHIBITED. | DRAWN | NAME | DATE |  |
| | CHECKED | | | |
| | ENG APPR. | Ilir Bordoniqi | 06-08-10 | |
| | MFG APPR. | | | |
| MATERIAL | EPS 1.25 PCF | | Q.A. | IC - 1944 |
| FINISH | DO NOT SCALE DRAWING | | COMMENTS: | |
| | | | CAVITY VOLUME | SIZE DWG. NO. |
| | | | V=1944 cu. in. | REV. |
| | | | SCALE:1:6 | WEIGHT: |
| | | | SHEET 1 OF 1 | |