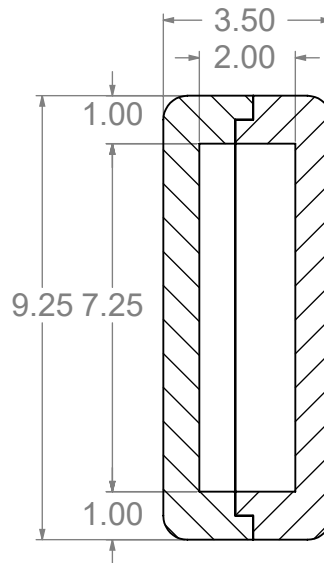
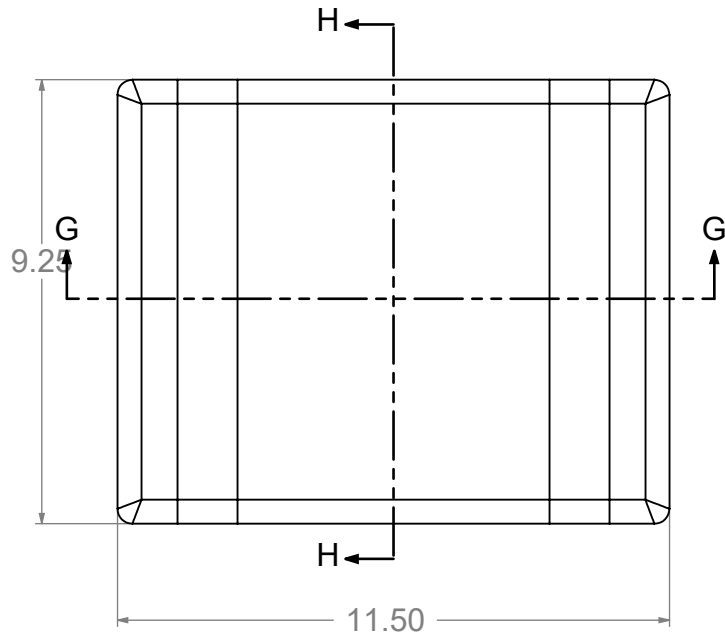
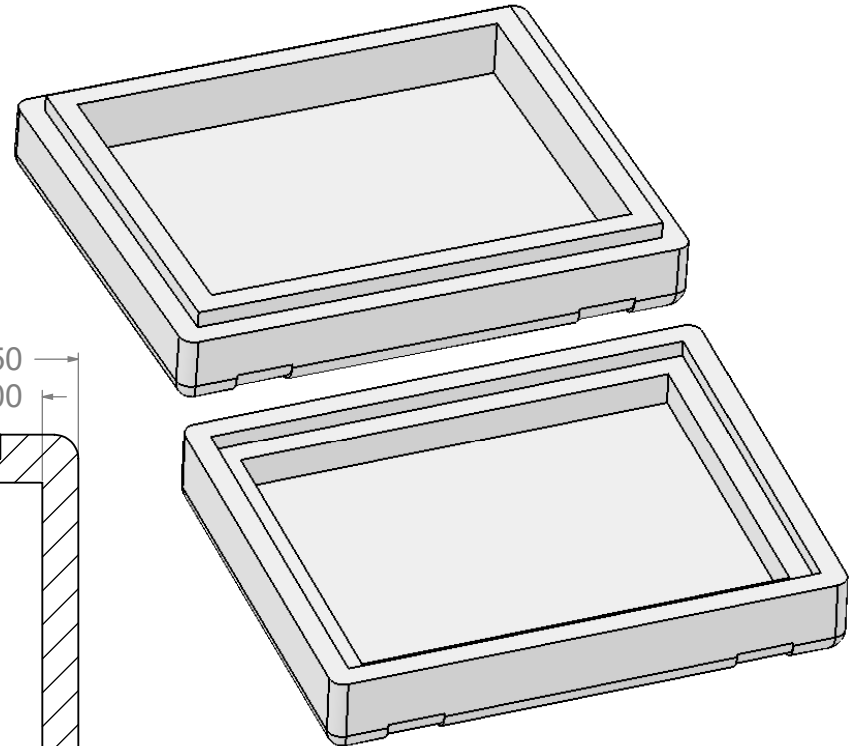


SECTION G-G



SECTION H-H



STANDARD EPS TOLERANCES  
FOR DENSITY 1.12 TO 3.0 PCF

DIM. INCH(MM)	TOL. INC(MM)
0.0 - 6.0(152)	+/- .039 (1)
6.0(152) - 12.0 (305)	+/- .06 (1.5)
12.0(305) - 24.0(610)	+/- .098 (2.5)
24.0(610) - 48.0(1220)	+/- .12 (3)
48.0(1220) - GREATER	+/- .20 (5)

PROPRIETARY AND CONFIDENTIAL

THE INFORMATION CONTAINED  
IN THIS DRAWING IS THE SOLE  
PROPERTY OF marko foam  
production ANY REPRODUCTION  
IN PART OR AS A WHOLE WITHOUT  
THE WRITTEN PERMISSION OF  
marko foam production IS PROHIBITED.

MATERIAL  
**EPS 1.25 PCF**  
FINISH  
**DO NOT SCALE DRAWING**

	NAME	DATE
DRAWN		
CHECKED		
ENG APPR.	Ilir Bordoniqi	08/09/10
MFG APPR.		
Q.A.		

COMMENTS:  
**CAVITY VOLUME  
V=137**

**marko**  
foam products inc



**IC - 137**

SIZE	DWG. NO.	REV.
<b>A</b>		

SCALE:1:4    WEIGHT:    SHEET 1 OF 1