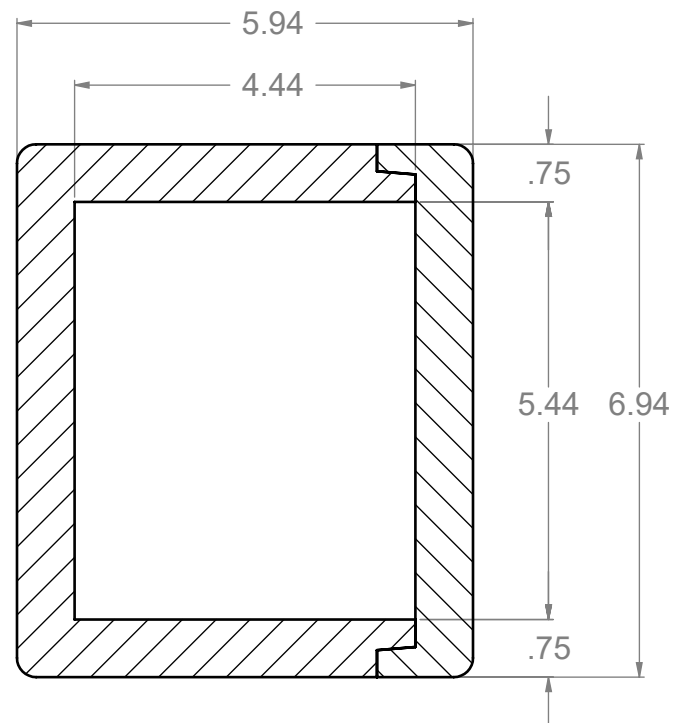
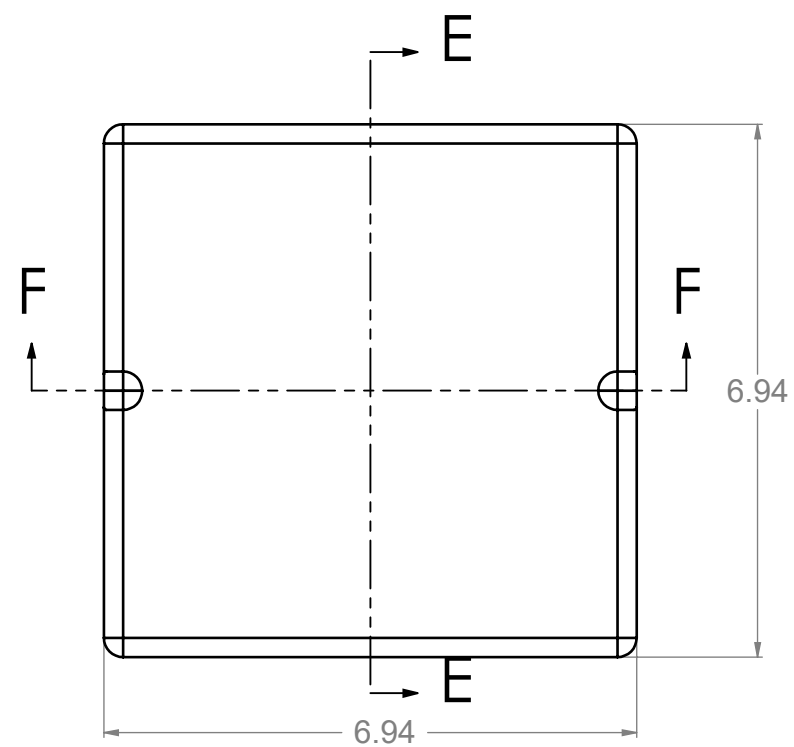
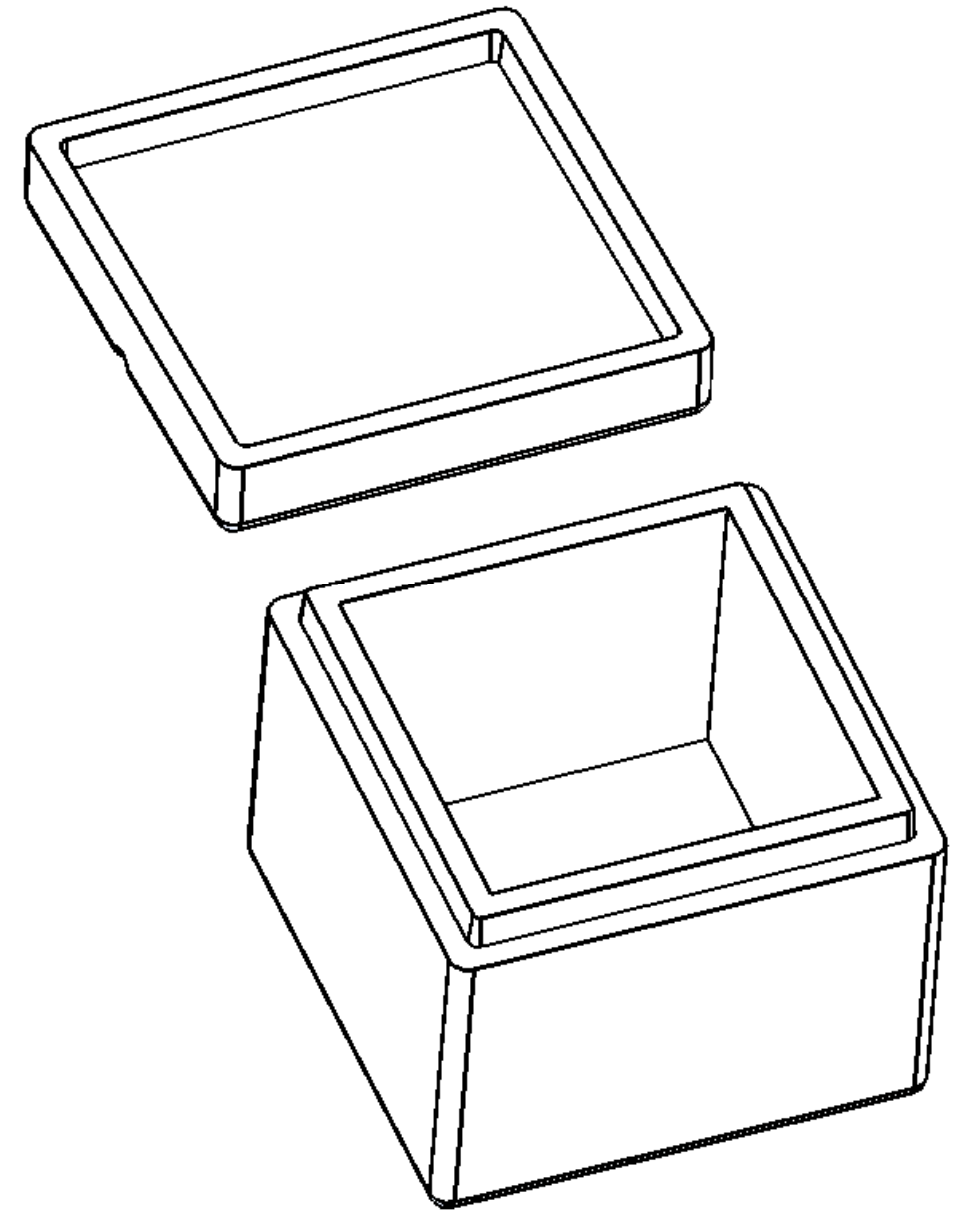


SECTION F-F  
SCALE 1 : 3




SECTION E-E  
SCALE 1 : 3



STANDARD EPS TOLERANCES  
FOR DENSITY 1.12 TO 3.0 PCF

DIM. INCH(MM)	TOL. INC(MM)
0.0 - 6.0(152)	+/- .039 (1)
6.0(152) - 12.0 (305)	+/- .06 (1.5)
12.0(305) - 24.0(610)	+/- .098 (2.5)
24.0(610) - 48.0(1220)	+/- .12 (3)
48.0(1220) - GREATER	+/- .20 (5)

<b>PROPRIETARY AND CONFIDENTIAL</b> THE INFORMATION CONTAINED IN THIS DRAWING IS THE SOLE PROPERTY OF marko foam production. ANY REPRODUCTION IN PART OR AS A WHOLE WITHOUT THE WRITTEN PERMISSION OF marko foam production IS PROHIBITED.	DRAWN	NAME	DATE	 <b>IC - 131</b>
	CHECKED			
	ENG APPR.	Ilir Bordoniqi	04/12/10	
	MFG APPR.			
MATERIAL	EPS 1.25 PCF			COMMENTS: <b>CAVITY VOLUME</b> V=131 cu. in.
FINISH	DO NOT SCALE DRAWING			
SIZE DWG. NO. <b>A</b>				REV.
SCALE:1:2.5   WEIGHT:				SHEET 1 OF 1