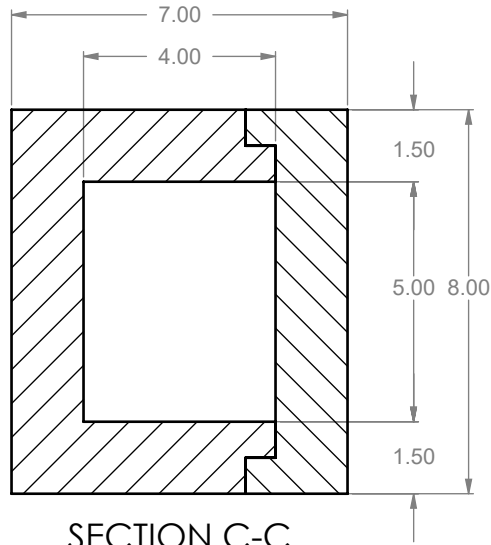
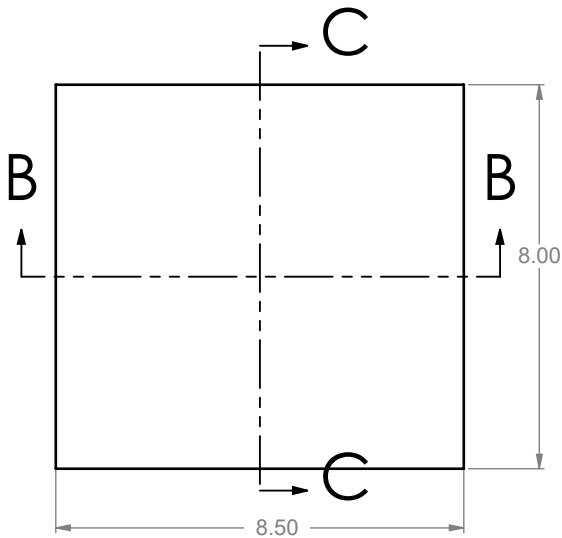
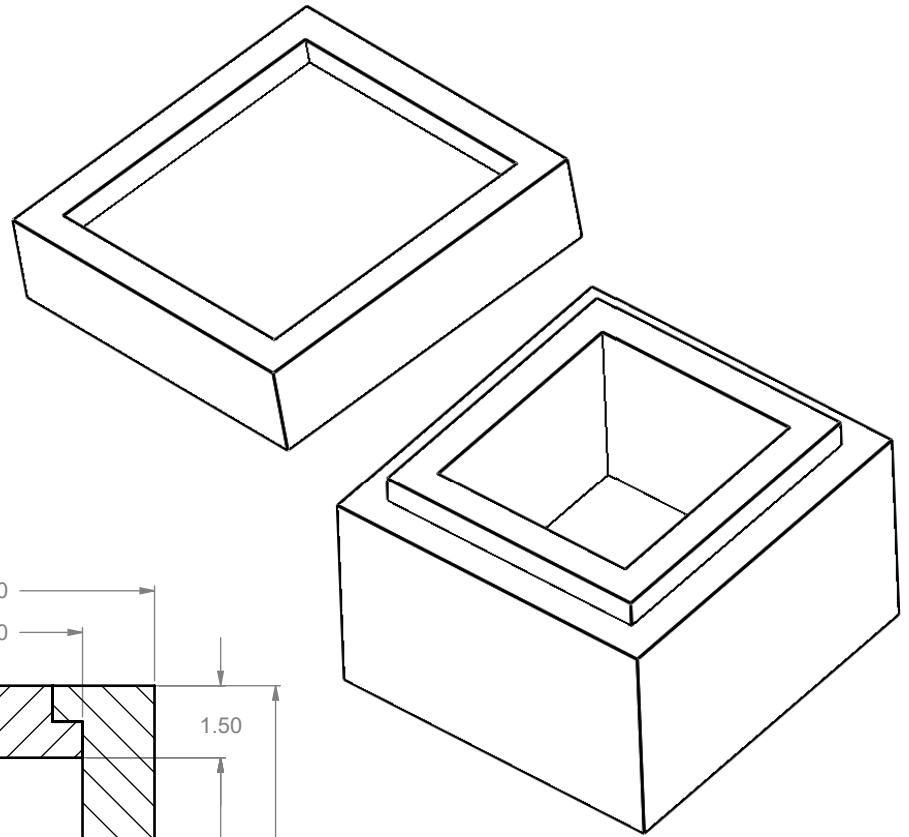


SECTION B-B



SECTION C-C



STANDARD EPS TOLERANCES  
FOR DENSITY 1.12 TO 3.0 PCF

| DIM. INCH(MM)          | TOL. INC(MM)   |
|------------------------|----------------|
| 0.0 - 6.0(152)         | +/- .039 (1)   |
| 6.0(152) - 12.0 (305)  | +/- .06 (1.5)  |
| 12.0(305) - 24.0(610)  | +/- .098 (2.5) |
| 24.0(610) - 48.0(1220) | +/- .12 (3)    |
| 48.0(1220) - GREATER   | +/- .20 (5)    |

PROPRIETARY AND CONFIDENTIAL

THE INFORMATION CONTAINED  
IN THIS DRAWING IS THE SOLE  
PROPERTY OF marko foam  
production ANY REPRODUCTION  
IN PART OR AS A WHOLE WITHOUT  
THE WRITTEN PERMISSION OF  
marko foam production IS PROHIBITED.

MATERIAL  
EPS 1.25 PCF

FINISH

DO NOT SCALE DRAWING

NAME DATE

DRAWN  
CHECKED  
ENG APPR. Ilir Bordoniqi 04/12/10  
MFG APPR.  
Q.A.

COMMENTS:

CAVITY VOLUME  
V=110 cu. in.

**marko**  
foam products inc



IC-110

SIZE DWG. NO. REV.  
**A**  
SCALE:1:4 WEIGHT: SHEET 1 OF 1