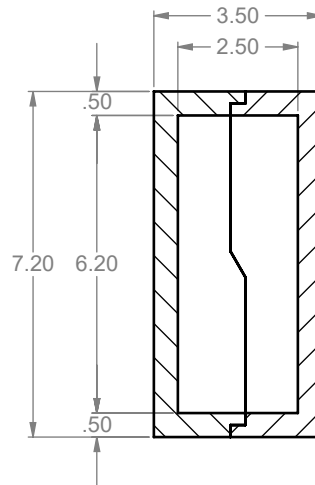
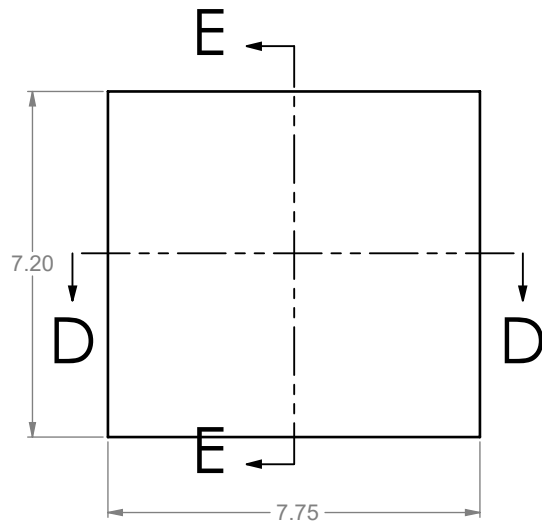
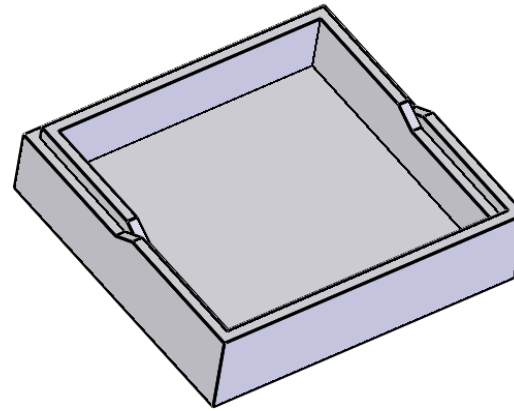
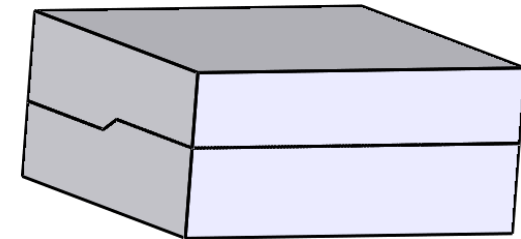


SECTION D-D





SECTION E-E



**STANDARD EPS TOLERANCES
FOR DENSITY 1.12 TO 3.0 PCF**

DIM. INCH(MM)	TOL. INC(MM)
0.0 - 6.0(152)	+/- .039 (1)
6.0(152) - 12.0 (305)	+/- .06 (1.5)
12.0(305) - 24.0(610)	+/- .098 (2.5)
24.0(610) - 48.0(1220)	+/- .12 (3)
48.0(1220) - GREATER	+/- .20 (5)

PROPRIETARY AND CONFIDENTIAL		NAME	DATE		
THE INFORMATION CONTAINED IN THIS DRAWING IS THE SOLE PROPERTY OF marko foam production ANY REPRODUCTION IN PART OR AS A WHOLE WITHOUT THE WRITTEN PERMISSION OF marko foam production IS PROHIBITED.		DRAWN			
MATERIAL EPS 1.25 PCF		CHECKED			
FINISH DO NOT SCALE DRAWING		ENG APPR. Ilir Bordoniqi	03/04/11		
		MFG APPR.		IC-103	
		Q.A.			
		COMMENTS: CAVITY VOLUME V=103 cu. in.		SIZE DWG. NO.	REV.
				A	
				SCALE:1:4	WEIGHT:
				SHEET 1 OF 1	