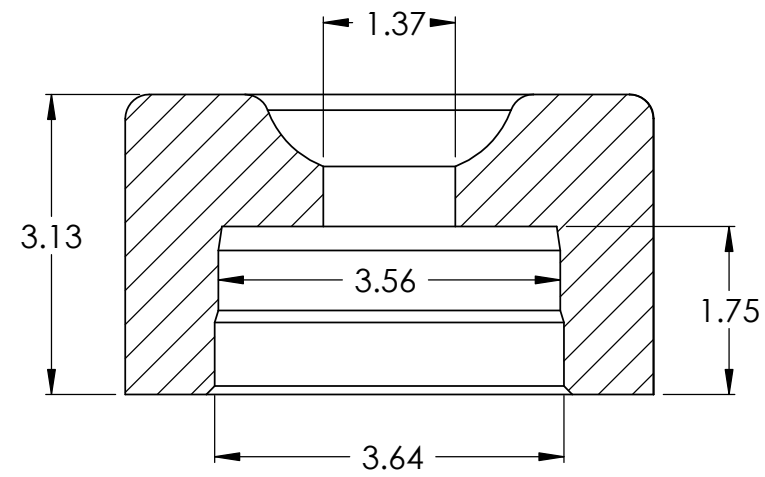
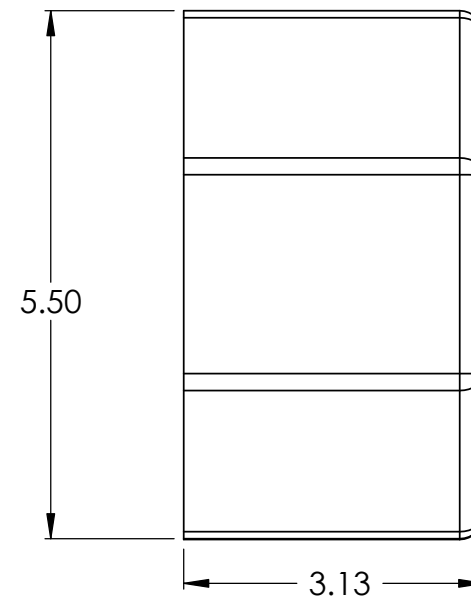
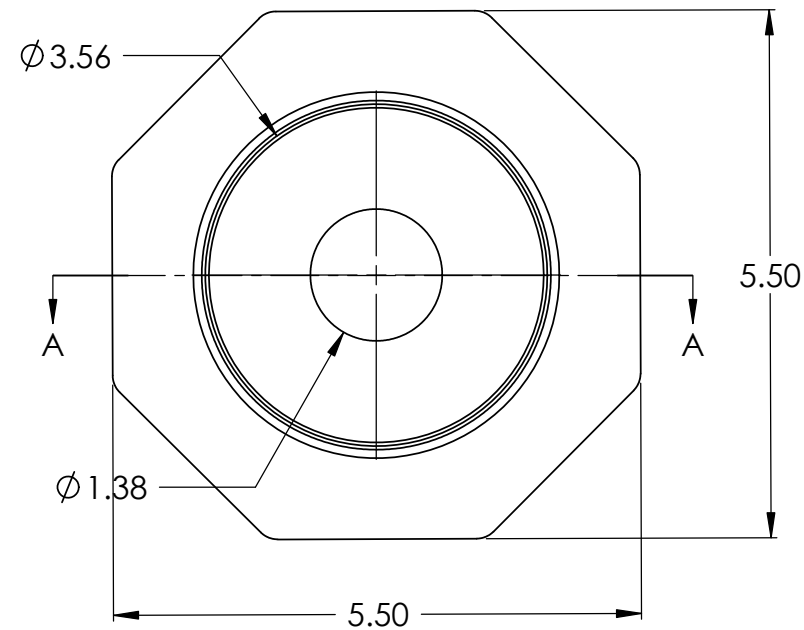
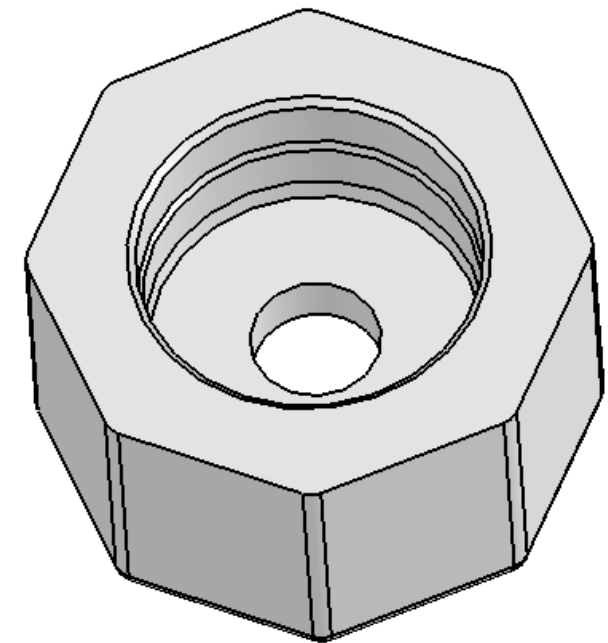
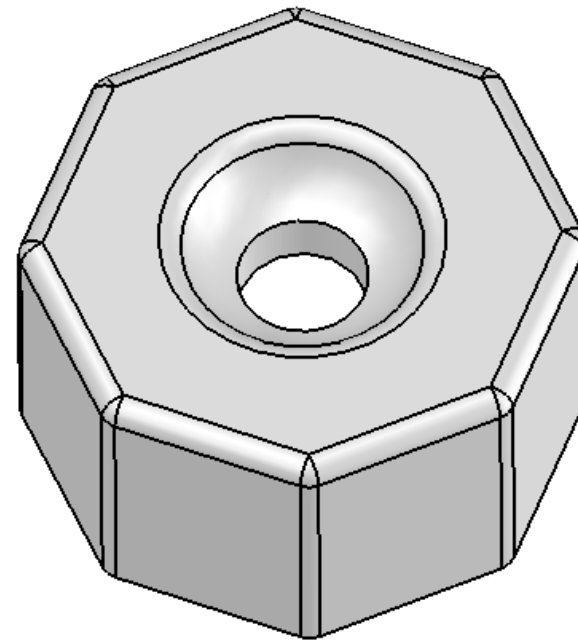


8 7 6 5 4 3 2 1

REVISIONS				
ZONE	REV.	DESCRIPTION	DATE	APPROVED



SECTION A-A



VOLUME V=56.3 in.  
WEIGHT W=18.5 grams  
MAT: EPS - 1.25 PCF

**PROPRIETARY AND CONFIDENTIAL**  
THE INFORMATION CONTAINED IN THIS DRAWING IS THE SOLE PROPERTY OF marko foam products inc. ANY REPRODUCTION IN PART OR AS A WHOLE WITHOUT THE WRITTEN PERMISSION OF marko foam products inc. IS PROHIBITED.

		UNLESS OTHERWISE SPECIFIED:		NAME	DATE	<b>marko</b> foam products inc		
		DIMENSIONS ARE IN INCHES	DRAWN				TITLE:	
		TOLERANCES:	CHECKED					
		FRACTIONAL ±	ENG APPR.					
		ANGULAR: MACH ± BEND ±	MFG APPR.			SIZE	DWG. NO.	REV
		TWO PLACE DECIMAL ±				<b>B</b>		
		THREE PLACE DECIMAL ±				SCALE: 1:2	WEIGHT:	SHEET 1 OF 1
		INTERPRET GEOMETRIC TOLERANCING PER:						
		MATERIAL						
		FINISH						
NEXT ASSY	USED ON							
		DO NOT SCALE DRAWING						

8 7 6 5 4 3 2 1