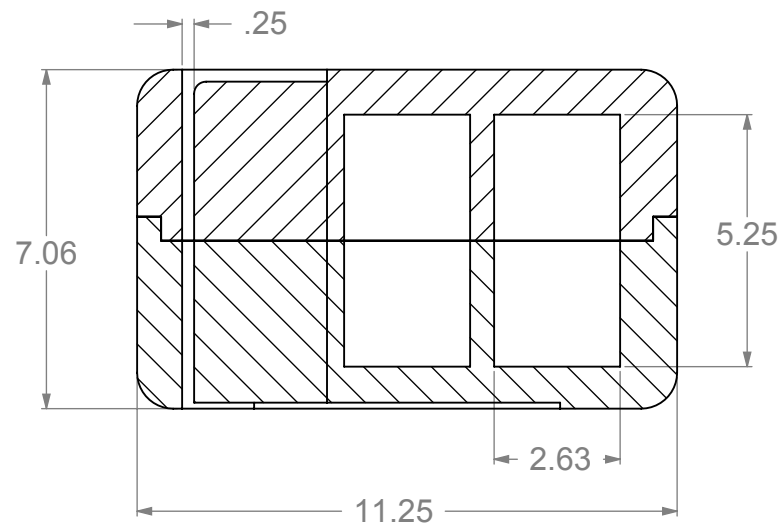


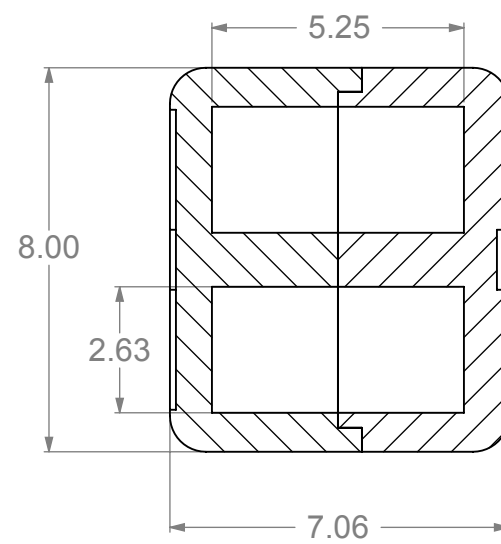
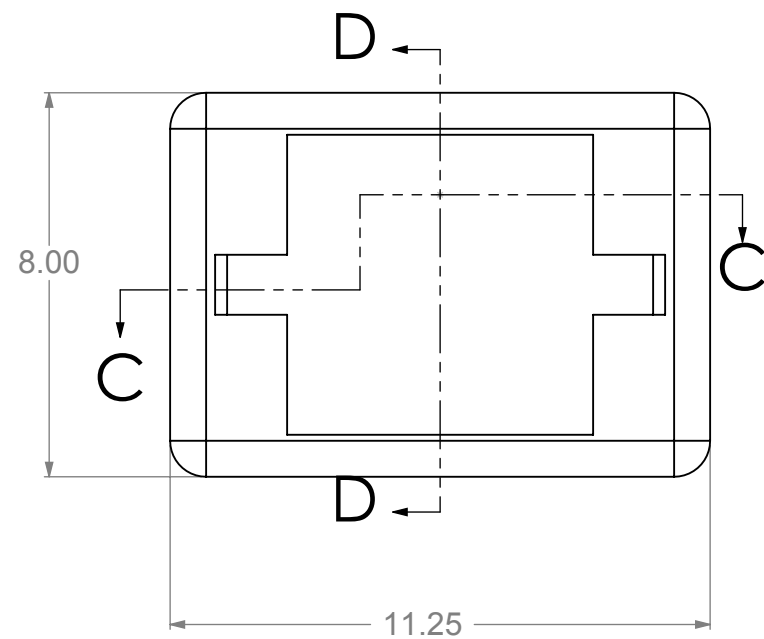
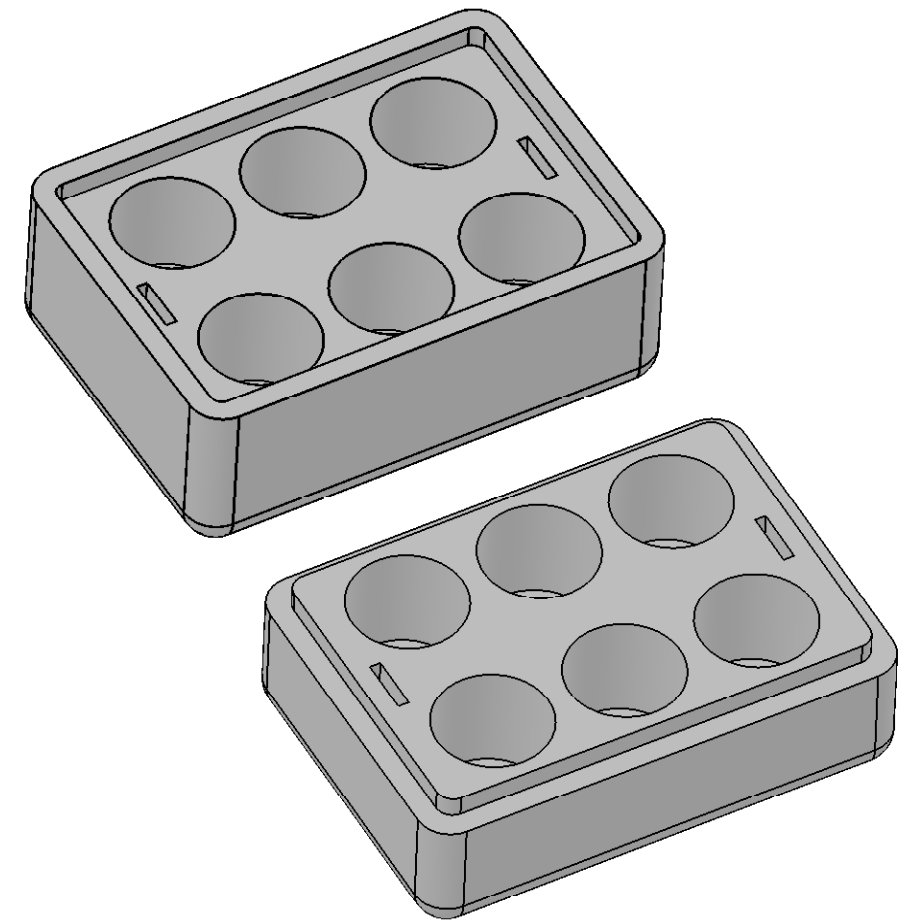
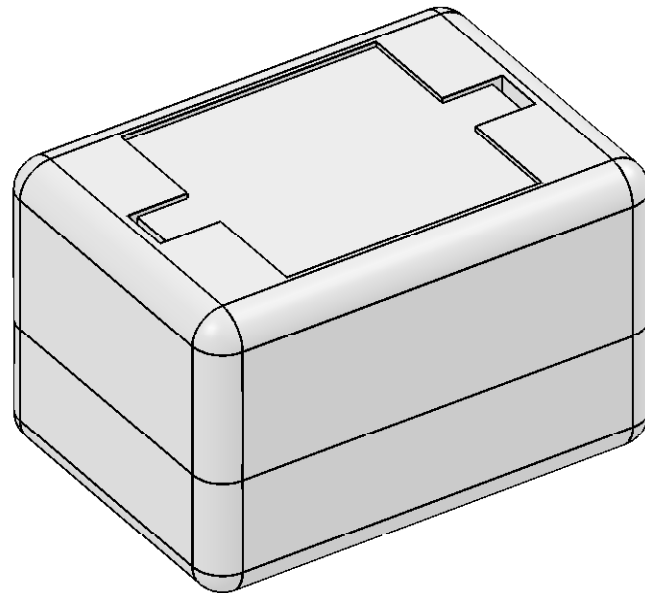
8 7 6 5 4 3 2 1

D
C
B
A

D
C
B
A



SECTION C-C



SECTION D-D

STANDARD EPS TOLERANCES FOR DENSITY 1.12 TO 3.0 PCF

DIM. INCH(MM)	TOL. INC(MM)
0.0 - 6.0(152)	+/- .039 (1)
6.0(152) - 12.0 (305)	+/- .06 (1.5)
12.0(305) - 24.0(610)	+/- .098 (2.5)
24.0(610) - 48.0(1220)	+/- .12 (3)
48.0(1220) - GREATER	+/- .20 (5)

PROPRIETARY AND CONFIDENTIAL THE INFORMATION CONTAINED IN THIS DRAWING IS THE SOLE PROPERTY OF marko foam production ANY REPRODUCTION IN PART OR AS A WHOLE WITHOUT THE WRITTEN PERMISSION OF marko foam production IS PROHIBITED.	DRAWN	NAME	DATE
	CHECKED		
	ENG APPR.	Ilir Bordoniqi	11/30/10
	MFG APPR.		
	Q.A.		
MATERIAL EPS 1.25 PCF	COMMENTS:		
FINISH	V _T - 226		
DO NOT SCALE DRAWING	V _B - 216		

marko foam products inc		
BEER 6PACK		
SIZE DWG. NO. A	SCALE:1:4	WEIGHT:
REV.	SHEET 1 OF 1	

8 7 6 5 4 3 2 1