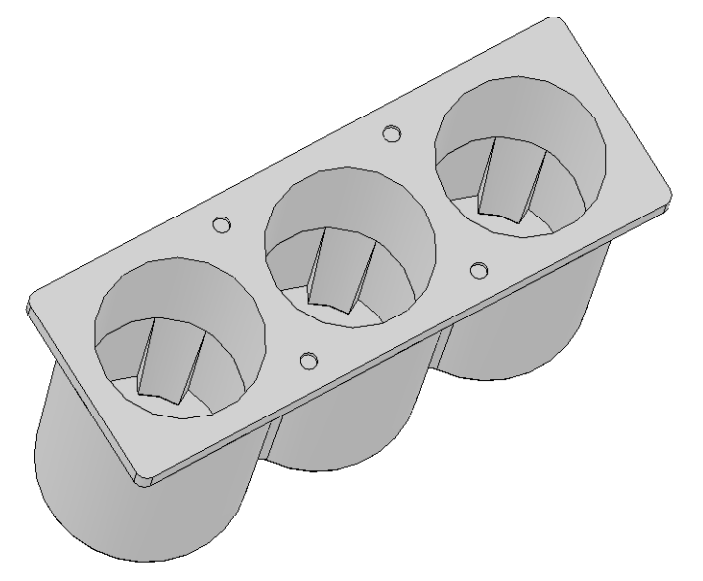
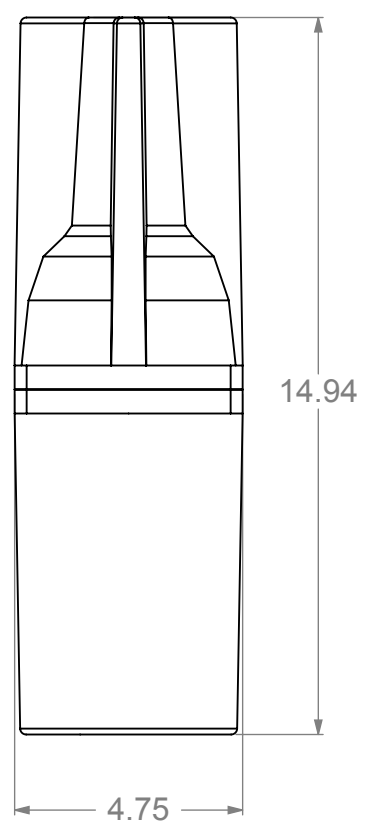
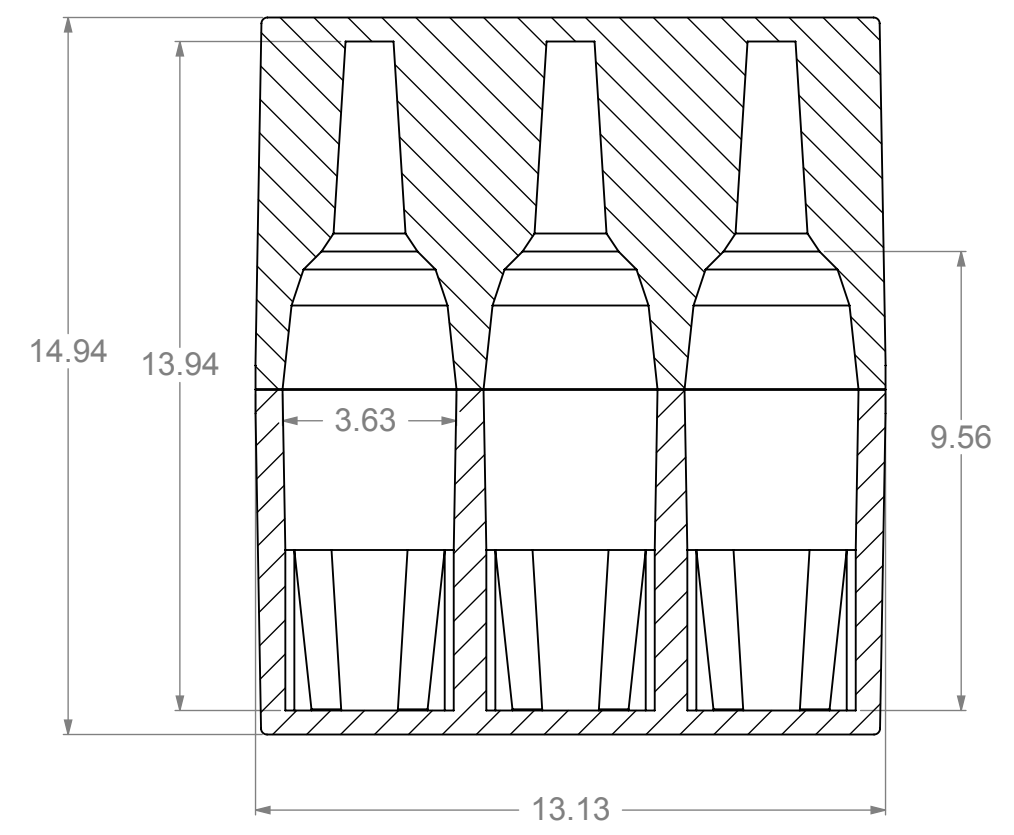
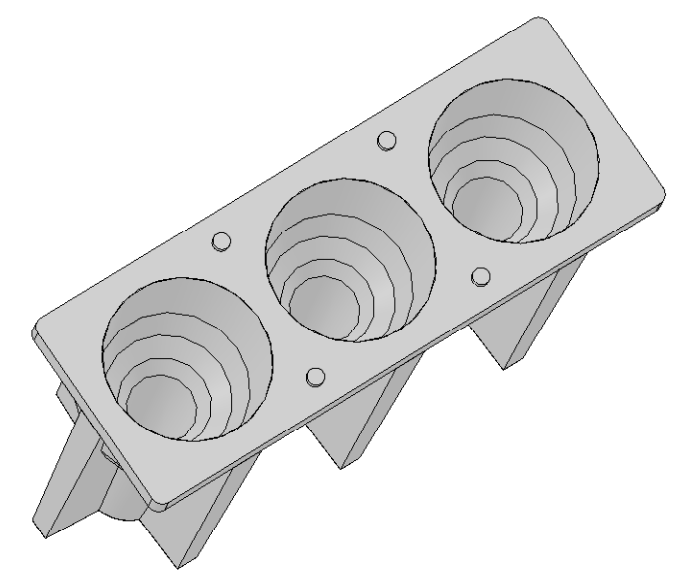
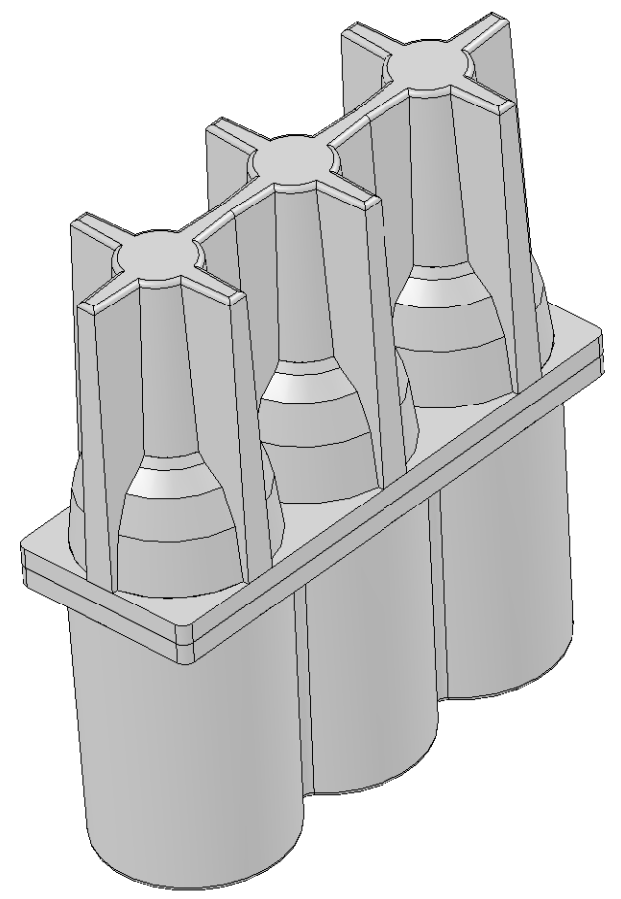
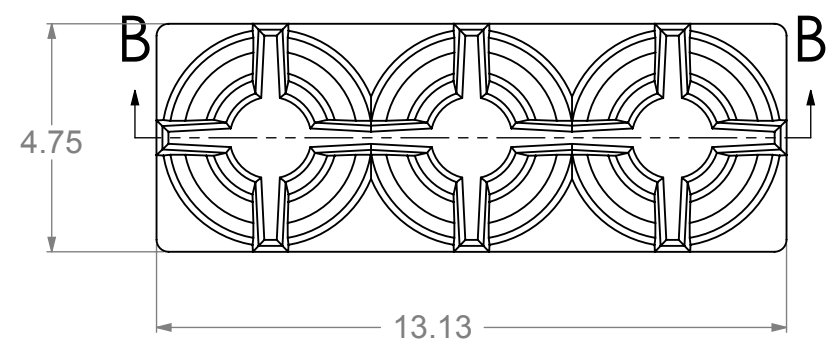


8 7 6 5 4 3 2 1

D
C
B
A

D
C
B
A



SECTION B-B

STANDARD EPS TOLERANCES FOR DENSITY 1.12 TO 3.0 PCF

DIM. INCH(MM)	TOL. INC(MM)
0.0 - 6.0(152)	+/- .039 (1)
6.0(152) - 12.0 (305)	+/- .06 (1.5)
12.0(305) - 24.0(610)	+/- .098 (2.5)
24.0(610) - 48.0(1220)	+/- .12 (3)
48.0(1220) - GREATER	+/- .20 (5)

PROPRIETARY AND CONFIDENTIAL		DRAWN	NAME	DATE
THE INFORMATION CONTAINED IN THIS DRAWING IS THE SOLE PROPERTY OF marko foam production ANY REPRODUCTION IN PART OR AS A WHOLE WITHOUT THE WRITTEN PERMISSION OF marko foam production IS PROHIBITED.		CHECKED		
MATERIAL: EPS 1.25 PCF		ENG APPR.	Ilir Bordoniqi	11/24/10
FINISH: DO NOT SCALE DRAWING		MFG APPR.		
		Q.A.		
		COMMENTS:		
		V _T - 147		
		V _B - 174		

marko
foam products inc

3PACK 750ML

SIZE DWG. NO. **A** REV.

SCALE:1:4 WEIGHT: SHEET 1 OF 1

8 7 6 5 4 3 2 1