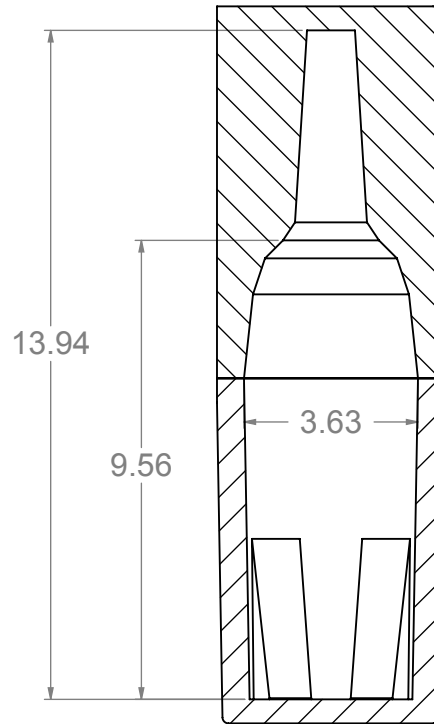
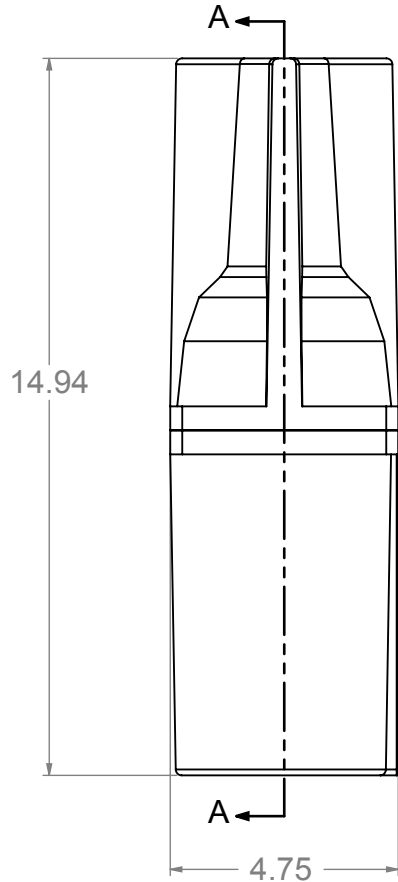
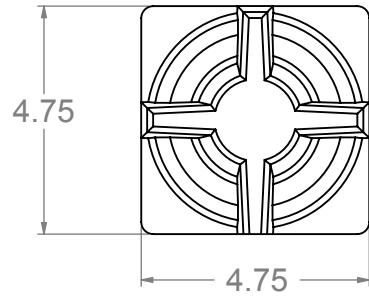
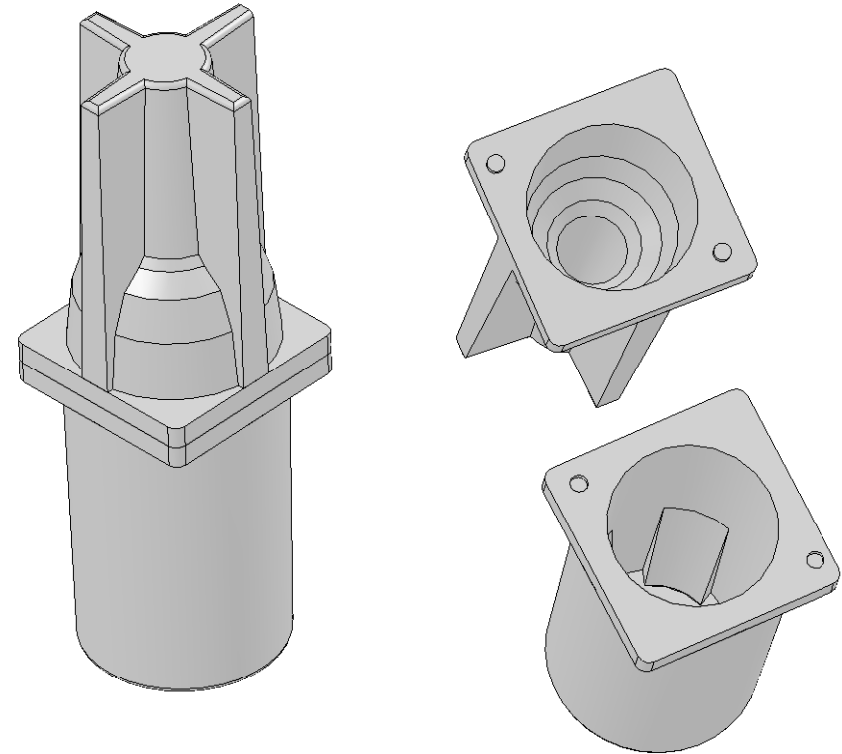


		REVISIONS			
ZONE	REV.	DESCRIPTION	DATE	APPROVED	





SECTION A-A



STANDARD EPS TOLERANCES
FOR DENSITY 1.12 TO 3.0 PCF

DIM. INCH(MM)	TOL. INC(MM)
0.0 - 6.0(152)	+/- .039 (1)
6.0(152) - 12.0 (305)	+/- .06 (1.5)
12.0(305) - 24.0(610)	+/- .098 (2.5)
24.0(610) - 48.0(1220)	+/- .12 (3)
48.0(1220) - GREATER	+/- .20 (5)

PROPRIETARY AND CONFIDENTIAL THE INFORMATION CONTAINED IN THIS DRAWING IS THE SOLE PROPERTY OF marko foam production ANY REPRODUCTION IN PART OR AS A WHOLE WITHOUT THE WRITTEN PERMISSION OF marko foam production IS PROHIBITED.	NAME	DATE	 1 PACK 750ML	
	DRAWN			
	CHECKED			
	ENG APPR. Ilir Bordoniqi	11/23/10		
	MFG APPR.			
MATERIAL	COMMENTS:		SIZE DWG. NO.	REV.
EPS 1.25 PCF	V _T - 52		A	
FINISH	V _B - 64		SCALE:1:4	WEIGHT:
DO NOT SCALE DRAWING				SHEET 1 OF 1