

AMS115

Compact Subwoofer


Product Guide	2	Produktveiledning	32
Guía del producto	7	Przewodnik do produktu	37
Guide produit	12	产品指南	42
Produktanleitung	17	產品指南	49
Guida al prodotto	22	製品ガイド	52
Producthandleiding	27	57	دليل المنتج

Please read and keep all safety, security, and use instructions.


This product is intended for installation by professional installers only!

This document is intended to provide users with safety guidelines and basic setup information only. If this product will be mounted or suspended in a permanent, fixed installation, please review all relevant documentation from Bose (see **Additional Product Documentation**) and from the manufacturer of all other installation components before installing the product.


Do not attempt to service this product yourself. Refer all servicing to authorized service centers, installers, technicians, dealers or distributors. To contact Bose Professional or to find a dealer or distributor near you, visit PRO.BOSE.COM.



WARNINGS/CAUTIONS



This symbol on the product means there are important operating and maintenance instructions in this guide.



This product contains magnetic material. Consult your physician on whether this might affect your implantable medical device.

All Bose products must be installed in accordance with local, state, federal and industry regulations. It is the installer's responsibility to ensure installation of the loudspeakers and mounting system is performed in accordance with all applicable codes, including local building codes and regulations. Consult the local authority having jurisdiction before installing this product.

Installed loudspeakers require regular inspection and routine maintenance to ensure proper function and safe operation. Inspect mounting hardware and attachments for signs of corrosion, bending or any other condition that may decrease the structural integrity. Immediately replace worn or damaged components.

Do not make unauthorized alterations to this product.

Do not mount on surfaces that are not sturdy, or that have hazards concealed behind them, such as electrical wiring or plumbing. Ensure the bracket is installed by a qualified professional installer and in accordance with local building codes.

Do not place or install the bracket or product near any heat sources, such as fireplaces, radiators, heat registers or other apparatus (including amplifiers) that produce heat.

Do NOT use in vehicles or boats.

Due to ventilation requirements, Bose does not recommend placing the product in a confined space such as in a wall cavity or in an enclosed cabinet.

Do NOT expose this product to dripping or splashing, and do not place objects filled with liquids, such as vases, on or near the product.

Do not mount the product in locations where condensation may occur.


This product is not intended for installation or use in indoor water facility areas (including, without limitation, indoor pools, indoor water parks, hot tub rooms, saunas, steam rooms and indoor skating rinks).


Unsafe mounting or overhead suspension of any heavy load can result in serious injury or death, and property damage. It is the installer's responsibility to evaluate the reliability of any mounting method used for their application. Only professional installers with the knowledge of proper hardware and safe mounting techniques should attempt to install any loudspeaker overhead.


Do not expose loudspeaker or mounting components to any chemical substances that are not specified by Bose, including but not limited to lubricants, cleaning agents, contact sprays, or hydrocarbon based solvents. Exposure to such substances can lead to degradation of the plastic material, resulting in cracking and creating a falling hazard.

Regulatory Information

Model Number: AMS115

 Bose Corporation hereby declares that this product is in compliance with the essential requirements and other relevant provisions of Directive 2014/35/EU and all other applicable EU directive requirements. The complete declaration of conformity can be found at: www.Bose.com/compliance.


 This symbol means the product must not be discarded as household waste, and should be delivered to an appropriate collection facility for recycling. Proper disposal and recycling helps protect natural resources, human health, and the environment.

 For more information on disposal and recycling of this product, contact your local municipality, disposal service, or the shop where you bought this product.

China Restriction of Hazardous Substances Table

Names and Contents of Toxic or Hazardous Substances or Elements						
Toxic or Hazardous Substances and Elements						
Part Name	Lead (Pb)	Mercury (Hg)	Cadmium (Cd)	Hexavalent (CR(VI))	Polybrominated Biphenyl (PBB)	Polybrominated diphenylether (PBDE)
PCBs	X	0	0	0	0	0
Metal Parts	X	0	0	0	0	0
Plastic Parts	0	0	0	0	0	0
Speakers	X	0	0	0	0	0
Cables	X	0	0	0	0	0

This table is prepared in accordance with the provisions of SJ/T 11364.
 0: Indicates that this toxic or hazardous substance contained in all of the homogeneous materials for this part is below the limit requirement of GB/T 26572.
 X: Indicates that this toxic or hazardous substance contained in at least one of the homogeneous materials used for this part is above the limit requirement of GB/T 26572.



Taiwan Restriction of Hazardous Substances Table

Equipment name: Professional Loudspeaker Type designation: AMS115						
Restricted substances and its chemical symbols						
Unit	Lead (Pb)	Mercury (Hg)	Cadmium (Cd)	Hexavalent chromium (Cr+6)	Polybrominated biphenyls (PBB)	Polybrominated diphenyl ethers (PBDE)
PCBs	-	o	o	o	o	o
Metal Parts	-	o	o	o	o	o
Plastic Parts	o	o	o	o	o	o
Speakers	-	o	o	o	o	o
Cables	-	o	o	o	o	o

Note 1: "o" indicates that the percentage content of the restricted substance does not exceed the percentage of reference value of presence.
Note 2: The "-" indicates that the restricted substance corresponds to the exemption.

Date of Manufacture: The eighth digit in the serial number indicates the year of manufacture; "0" is 2010 or 2020.

China Importer: Bose Electronics (Shanghai) Company Limited, Part C, Plant 9, No. 353 North Riyang Road, China (Shanghai) Pilot Free Trade Zone

EU Importer: Bose Products B.V., Gorslaan 60, 1441 RG Purmerend, The Netherlands

Mexico Importer: Bose de México, S. de R.L. de C.V., Paseo de las Palmas 405-204, Lomas de Chapultepec, 11000 México, D.F. For service or importer information, call +5255 (5202) 3545

Taiwan Importer: Bose Taiwan Branch, 9F-A1, No. 10, Section 3, Minsheng East Road, Taipei City 104, Taiwan. Phone Number: +886-2-2514 7676

Bose Corporation Headquarters: 1-877-230-5639

Bose and PowerMatch are trademarks of Bose Corporation.

Loctite and 242 are trademarks and/or registered trademarks of Henkel and/or its affiliates in the U.S. and elsewhere.

Neutrik is a registered trademark of Neutrik AG.

All other trademarks are the property of their respective owners.

©2020 Bose Corporation. No part of this work may be reproduced, modified, distributed or otherwise used without prior written permission.

Warranty Information

This product is covered by a limited warranty.
 For warranty details, visit pro.Bose.com/warranty.

Additional Product Documentation

This guide includes basic setup information only. If this product will be mounted or suspended in a permanent, fixed installation, please review all relevant documentation from Bose on the web page shown here.

To ensure safe product installation, it is the installer's responsibility to refer to all relevant documentation for this product and all other installation components before installing the product.

Only professional installers with the knowledge of proper hardware and safe mounting techniques should attempt to install any loudspeaker or subwoofer overhead.

To access additional Bose documentation for this product, scan the QR code or visit the web page shown here.

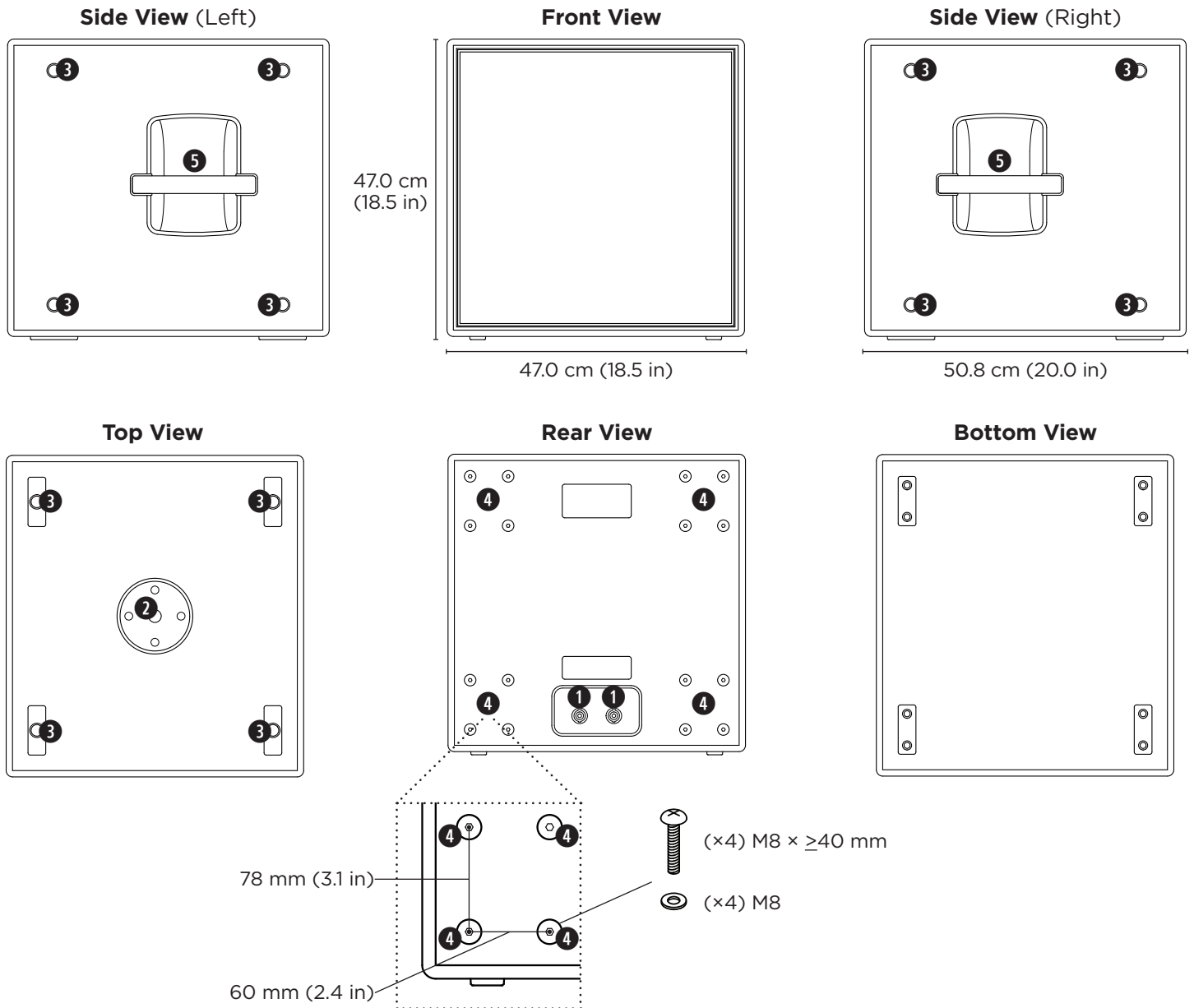


pro.bose.com/ams115

Product Details

Net weight: 28.39 kg (62.60 lb)

- 1 Input connection
- 2 M20 pole attachment point
- 3 M10 suspension point
- 4 M8 caster attachment point
- 5 Handle



Stage Fill

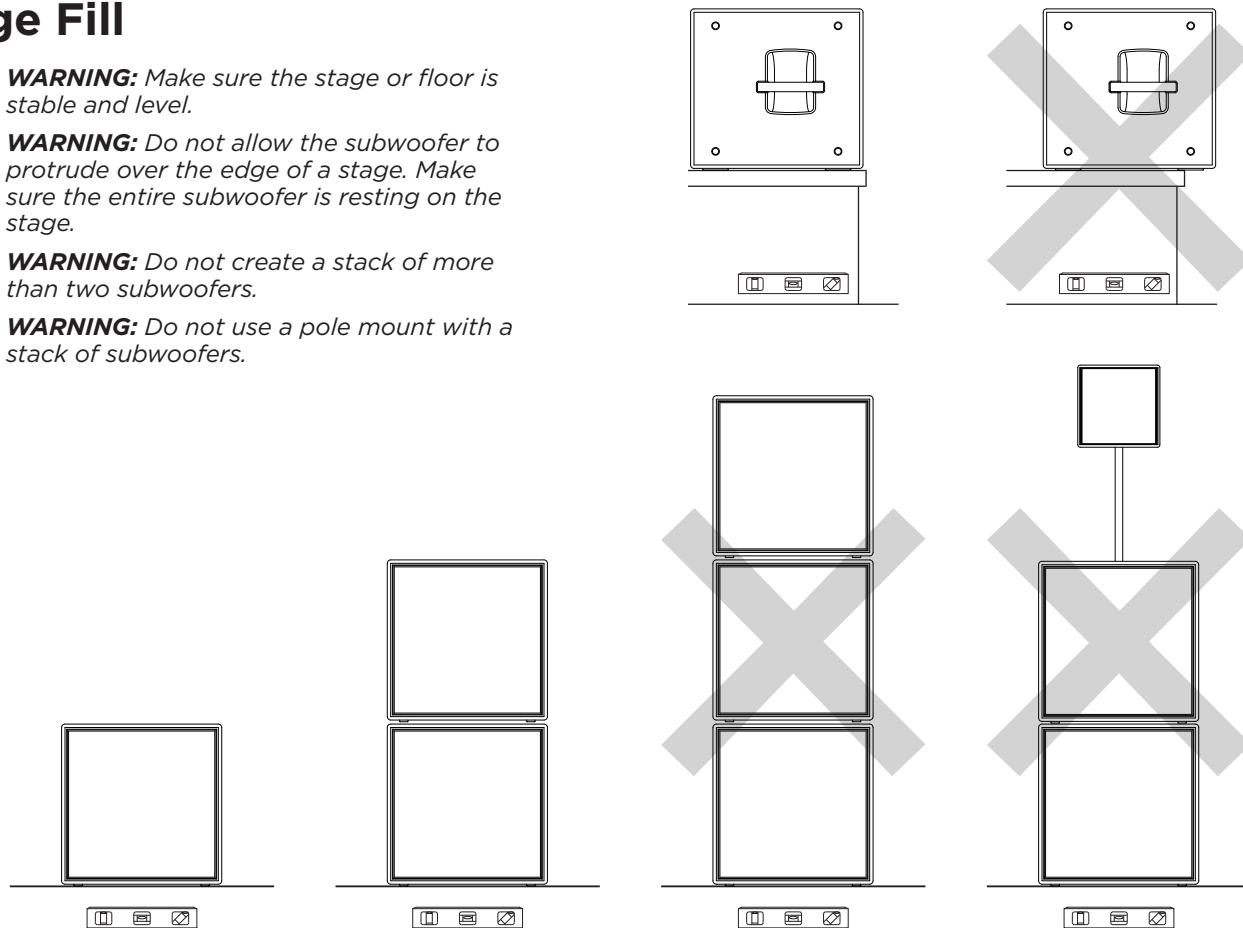


WARNING: Make sure the stage or floor is stable and level.

WARNING: Do not allow the subwoofer to protrude over the edge of a stage. Make sure the entire subwoofer is resting on the stage.

WARNING: Do not create a stack of more than two subwoofers.

WARNING: Do not use a pole mount with a stack of subwoofers.



With a Loudspeaker

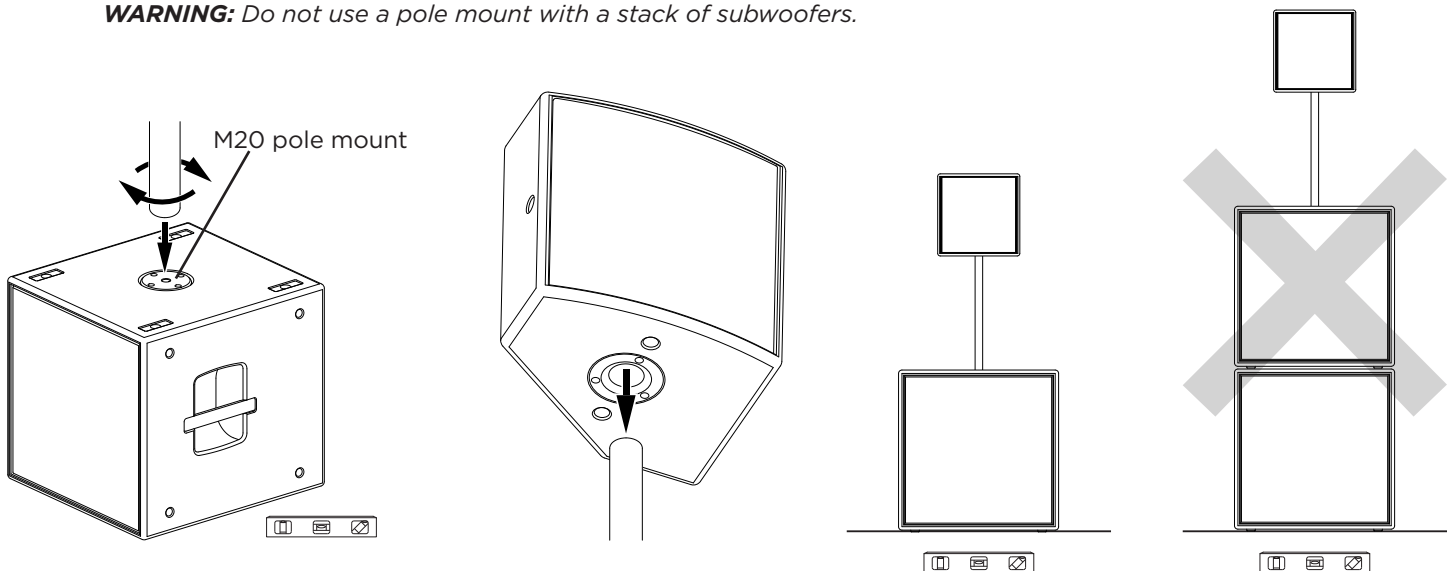


WARNING: Make sure the subwoofer is placed on a stable, level surface.

WARNING: Refer to all relevant documentation for the loudspeaker and pole before attaching them to the subwoofer. Make sure the subwoofer can support the weight of the loudspeaker and pole. Once the subwoofer and pole are assembled and the loudspeaker is attached, make sure the whole assembly is stable and does not present a tipping or falling hazard.

WARNING: Do not attempt to move the whole assembly. Remove the loudspeaker from the pole before moving the subwoofer.

WARNING: Do not use a pole mount with a stack of subwoofers.



Installation (Suspension)

Installation Guidelines

Bose AMS subwoofers include threaded inserts to accommodate suspension methods as described in this document.

Unsafe overhead suspension of any heavy load can result in serious injury or death and property damage. It is the installer's responsibility to evaluate the reliability of any suspension method used for their application. **Only professional installers with the knowledge of proper hardware and safe suspension techniques should attempt to install any loudspeaker or subwoofer overhead.**

If you are using a custom-designed suspension system, have a licensed professional engineer review the design and planned method of attachment to the building structure for structural integrity and safety in the intended application.

Choose fasteners that are consistent with all local building codes and requirements to support the weight of the subwoofer.

- Use only fasteners/hardware of Class 8.8 or greater.
- Do not use unmarked machine fasteners for mounting system assemblies as there is no way to determine their physical properties.
- Use only M10 fasteners for the M10 threaded inserts on the subwoofer. Although SAE $\frac{3}{8}$ "-16 fasteners are similar, they are not interchangeable with M10 fasteners.
- Do not over-tighten fasteners. Doing so may irreparably damage the cabinet and create an unsafe assembly.
- Make sure fasteners are long enough to engage at least 8 threads of the attachment point. Using a fastener that is engaged with fewer than 8 threads will result in inadequate support of the subwoofer, which may strip the threads and create an unsafe assembly.
- Do not alter or re-thread the threaded attachment points to accommodate any other thread size or type. Doing so will compromise the safety of the installation and permanently damage the subwoofer.
- For a vibration-resistant assembly, use a locking compound intended for hand disassembly (such as Loctite® 242®).

Do not use the subwoofer handles to suspend the subwoofer.

Do not suspend additional loudspeakers or other items from the Bose AMS subwoofer.

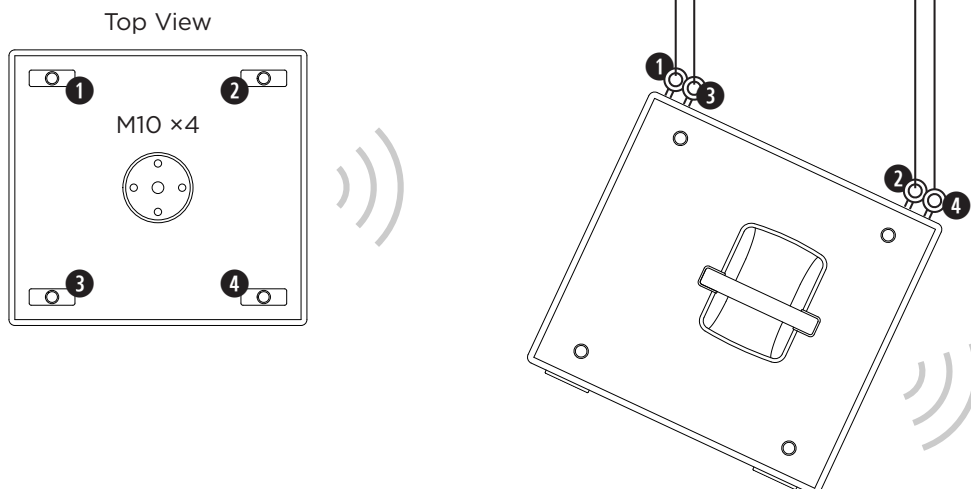
Suspension



WARNING: To ensure safe product installation and usage, it is the installer's responsibility to refer to the previous **Installation Guidelines** section and the user documentation of all mounting components before installing the product.

To suspend the subwoofer from the ceiling, attach M10 threaded eye bolts to the four M10 threaded attachment points on the top or side panel of the subwoofer. Use only load-rated eye bolts intended for lifting (per ASME B30.26).

If you are using a custom-designed suspension system or hardware, a licensed professional engineer must review the design and fabrication. Obtain all suspension system components from reputable manufacturers.



Processor Presets

Use only approved Bose Professional loudspeaker presets. The presets listed here are available when using Bose Professional PowerMatch amplifiers.

For a complete list of products that support Bose Professional AMM loudspeaker presets visit PRO.BOSE.COM.

Application	Preset Name
Subwoofer	AMS115 Sub

Technical Specifications

Connectors	2 × Neutrik® NL4 inputs	Pin 1+: LF+ Pin 1-: LF- Pin 2+: Not connected Pin 2-: Not connected
Power Handling	500 W (RMS), 2800 W (peak)	
Nominal Impedance	8 Ω	
Dimensions (height × width × depth)	47.0 cm × 47.0 cm × 50.8 cm (18.5 in × 18.5 in × 20.0 in)	
Net Weight	28.39 kg (62.60 lb)	

Lea y conserve todas las instrucciones de uso, protección y seguridad.

Este producto está diseñado para ser instalado únicamente por instaladores profesionales.

Este documento está diseñado para proporcionar a los usuarios únicamente pautas de seguridad e información sobre la configuración básica. Si este producto se monta o suspende en una instalación permanente y fija, revise toda la documentación relevante de Bose (consulte **Documentación adicional del producto**) y del fabricante de todos los demás componentes de instalación antes de instalar el producto.

No intente reparar este producto por su cuenta. Remita todas las reparaciones a centros de servicio, instaladores, técnicos o distribuidores autorizados. Para comunicarse con Bose Professional o encontrar un distribuidor cerca de usted, visite **PRO.BOSE.COM**.

ADVERTENCIAS/PRECAUCIONES



Este símbolo en el producto indica que en esta guía se incluyen instrucciones de mantenimiento y funcionamiento importantes.



Este producto contiene materiales magnéticos. Consulte con su médico si esto podría llegar a afectar un dispositivo médico implantado.

Todos los productos Bose deben instalarse conforme a las leyes locales, estatales, federales y del sector. Es responsabilidad del instalador garantizar que la instalación del sistema de montaje y los altavoces se realice conforme a los códigos vigentes, incluidos los códigos y las reglamentaciones de construcción locales. Consulte a la autoridad local competente antes de instalar este producto.

Se deben inspeccionar regularmente los altavoces instalados, además de realizarles mantenimiento de rutina con el propósito de garantizar su funcionamiento adecuado y operación segura. Revise los accesorios y los componentes físicos para instalación, y busque signos de corrosión, torcimiento o cualquier otra condición que pueda disminuir la integridad estructural. Sustituya inmediatamente los componentes desgastados o dañados.

No realice alteraciones no autorizadas a este producto.

Monte únicamente en superficies que sean resistentes o que no presenten peligros ocultos, como cableado eléctrico o plomería. Asegúrese de que un instalador profesional calificado instale el soporte y que lo haga de acuerdo con los códigos de construcción locales.

No instale ni coloque el soporte ni el producto cerca de fuentes de calor, como chimeneas, radiadores, rejillas de calefacción u otros aparatos (incluidos amplificadores) que produzcan calor.

NO lo use en vehículos o embarcaciones.

Debido a los requisitos de ventilación, Bose no recomienda colocar el producto en espacios reducidos, como una cavidad de pared o un gabinete cerrado.

NO exponga el producto a goteos o salpicaduras, y no coloque encima ni cerca del producto objetos llenos de líquido; por ejemplo, floreros.

No monte el producto en lugares donde se pueda generar condensación.

Este producto no está diseñado para ser instalado ni utilizado en zonas de instalaciones acuáticas en interiores (incluidos, entre otros, piscinas techadas, parques acuáticos techados, jacuzzis, saunas, salas de vapor y pistas de patinaje techadas).

El montaje inseguro o la suspensión en altura de cualquier carga pesada pueden provocar lesiones graves o la muerte, además de daños a la propiedad. Es responsabilidad del instalador evaluar la confiabilidad de cualquier método de montaje utilizado para su aplicación. Solo los instaladores profesionales con conocimiento de los componentes físicos adecuados y las técnicas de montaje seguro deberían intentar instalar cualquier altavoz en altura.

No exponga el altavoz ni los componentes de montaje a sustancias químicas que no hayan sido especificadas por Bose, incluidos, entre otros, lubricantes, productos de limpieza, aerosoles de contacto o disolventes a base de hidrocarburos. La exposición a estas sustancias puede degradar el plástico, lo que produce grietas y el riesgo de que se caiga el dispositivo.

Información normativa

Número de modelo: AMS115



Por la presente, Bose Corporation declara que este producto cumple con los requisitos esenciales y otras provisiones relevantes de la Directiva 2014/35/EU y todos los demás requisitos aplicables de la directiva de la UE. La declaración de conformidad completa se puede encontrar en: **www.Bose.com/compliance**.



Este símbolo significa que el producto no debe desecharse como residuo doméstico y debe enviarse a una planta para tratamiento de residuos apropiada para su reciclado. Una eliminación y un reciclado adecuados ayudan a proteger los recursos naturales, la salud humana y el medioambiente. Para obtener más información acerca de la eliminación y el reciclado de este producto, comuníquese con su municipalidad local, un centro de servicios de desecho o la tienda donde compró este producto.

Tabla de sustancias peligrosas restringidas en China

Nombres y contenido de elementos o sustancias tóxicas o peligrosas						
Elementos o sustancias tóxicas o peligrosas						
Nombre de la pieza	Plomo (Pb)	Mercurio (Hg)	Cadmio (Cd)	Cromo hexavalente (CR(VI))	Bifenilo polibromado (PBB)	Difenil éter polibromado (PBDE)
PCB	X	0	0	0	0	0
Piezas metálicas	X	0	0	0	0	0
Piezas plásticas	0	0	0	0	0	0
Altavoces	X	0	0	0	0	0
Cables	X	0	0	0	0	0

Esta tabla se preparó conforme a las cláusulas de SJ/T 11364.

O: indica que dicha sustancia peligrosa contenida en todos los materiales homogéneos de esta pieza se encuentra por debajo del requisito límite de GB/T 26572.

X: indica que esta sustancia tóxica o peligrosa que está presente en al menos uno de los materiales homogéneos utilizados para esta parte se encuentra por encima del requisito de límite de GB/T 26572.



Tabla de sustancias peligrosas restringidas en Taiwán

Nombre del equipo: Altavoz profesional Designación de tipo: AMS115						
Sustancias restringidas y símbolos químicos						
Unidad	Plomo (Pb)	Mercurio (Hg)	Cadmio (Cd)	Cromo hexavalente (Cr+6)	Bifenilos polibromados (PBB)	Éteres difenil polibromados (PBDE)
PCB	-	o	o	o	o	o
Piezas metálicas	-	o	o	o	o	o
Piezas plásticas	o	o	o	o	o	o
Altavoces	-	o	o	o	o	o
Cables	-	o	o	o	o	o

Nota 1: "o" indica que el contenido porcentual de la sustancia restringida no excede el porcentaje de valor de referencia de presencia.

Nota 2: El "-" indica que la sustancia restringida corresponde a la exención.

Fecha de fabricación: El octavo dígito del número de serie indica el año de fabricación; "0" es 2010 o 2020.

Importador para China: Bose Electronics (Shanghai) Company Limited, Part C, Plant 9, No. 353 North Riyang Road, China (Shanghai) Pilot Free Trade Zone

Importador en la UE: Bose Products B.V., Gorslaan 60, 1441 RG Purmerend, Países Bajos

Importador para México: Bose de México, S. de R.L. de C.V., Paseo de las Palmas 405-204, Lomas de Chapultepec, 11000 México, D.F. Para obtener información del servicio o del importador, llame al +5255 (5202) 3545.

Importador en Taiwán: Bose Taiwan Branch, 9F-A1, N° 10, Section 3, Minsheng East Road, Taipei City 104, Taiwán. Número telefónico: +886-2-2514 7676

Oficinas centrales de Bose Corporation: 1-877-230-5639

Bose y PowerMatch son marcas comerciales de Bose Corporation.

Loctite y 242 son marcas comerciales o marcas comerciales registradas de Henkel o sus filiales en EE.UU. y en otros lugares.

Neutrik es una marca comercial registrada de Neutrik AG.

Todas las demás marcas comerciales son propiedad de sus respectivos dueños.

©2020 Bose Corporation. Ninguna parte de este trabajo podrá reproducirse, modificarse, distribuirse ni usarse sin un permiso previo por escrito.

Información de la garantía

Este producto está cubierto con una garantía limitada.

Para obtener información sobre la garantía, visite **pro.Bose.com/warranty**.

Documentación adicional del producto

En esta guía, se incluye solo información de configuración básica. Si este producto se monta o suspende en una instalación permanente y fija, revise toda la documentación relevante de Bose en la página web que se muestra aquí.

Para garantizar una instalación segura del producto, es responsabilidad del instalador consultar toda la documentación relevante de este producto y de todos los demás componentes de instalación antes de instalar el producto.

Solo los instaladores profesionales con conocimiento de los componentes físicos adecuados y las técnicas de montaje seguro deberían intentar instalar cualquier altavoz o subwoofer en altura.

Para acceder a documentación adicional de Bose para este producto, escanee el código QR o visite la página web que se muestra aquí.



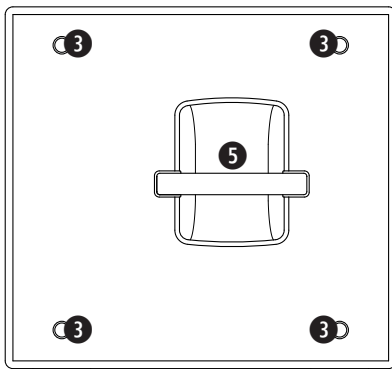
pro.bose.com/ams115

Información del producto

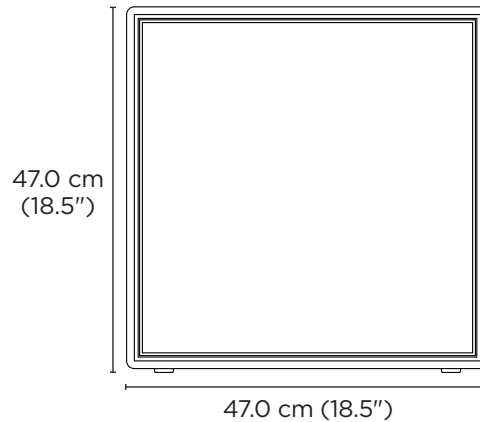
Peso neto: 28.39 kg (62.60 lb)

- 1 Conexión de entrada
- 2 Punto de fijación del poste M20
- 3 Punto de suspensión M10
- 4 Punto de fijación del conjunto rodante M8
- 5 Asa

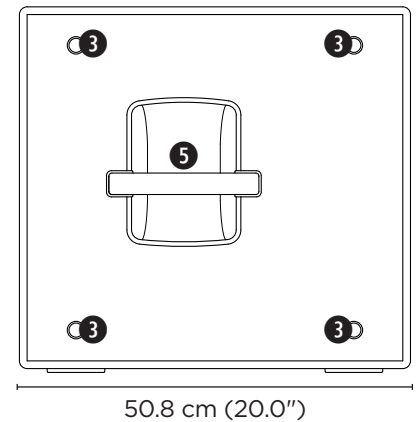
Vista lateral (izquierda)



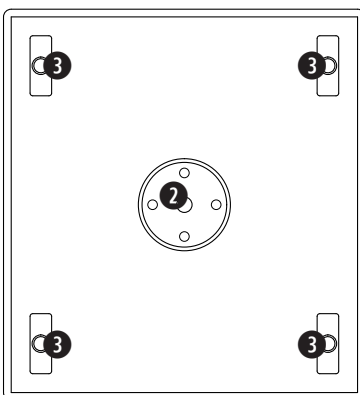
Vista frontal



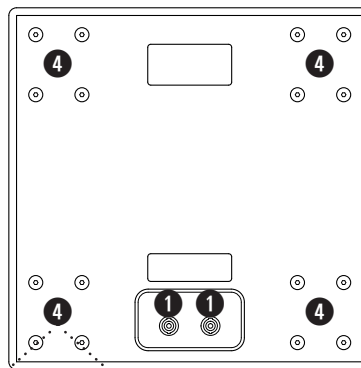
Vista lateral (derecha)



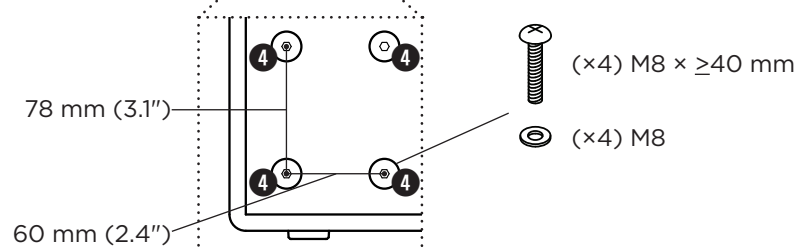
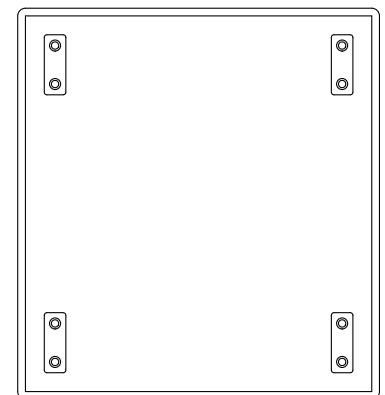
Vista superior



Vista trasera



Vista inferior



Refuerzo del escenario

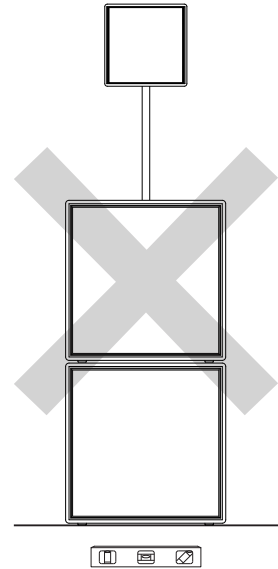
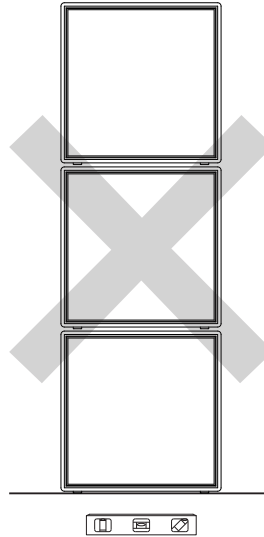
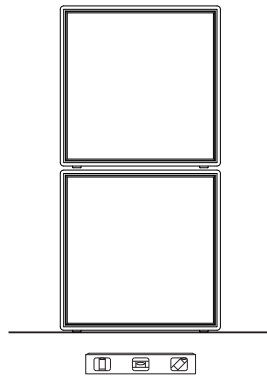
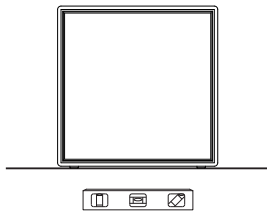
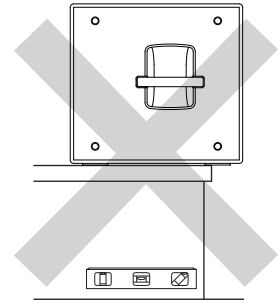
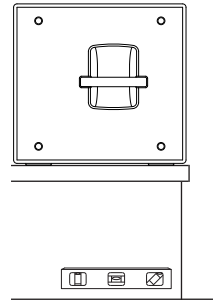


ADVERTENCIA: Asegúrese de que el escenario o el piso esté estable y nivelado.

ADVERTENCIA: No permita que el subwoofer sobresalga por el borde de un escenario. Asegúrese de que el subwoofer completo esté apoyado en el escenario.

ADVERTENCIA: No apile más de 2 subwoofers.

ADVERTENCIA: No utilice el montaje en poste para subwoofers apilados.



Con un altavoz

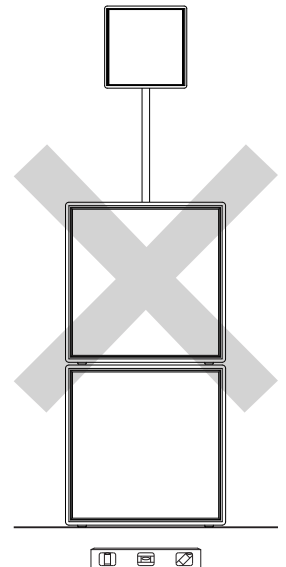
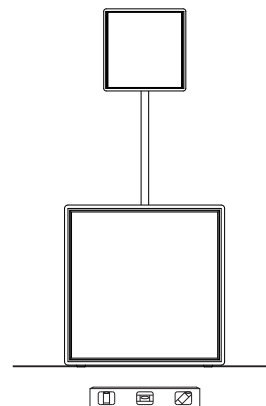
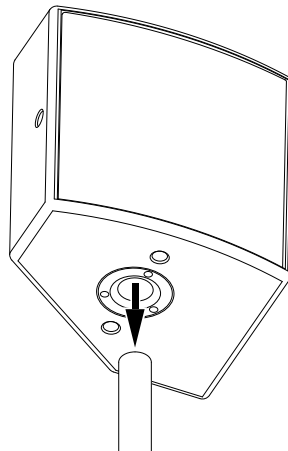
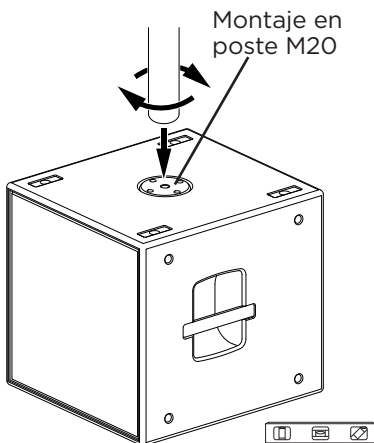


ADVERTENCIA: Asegúrese de colocar el subwoofer sobre una superficie estable y nivelada.

ADVERTENCIA: Consulte toda la documentación pertinente para el altavoz y el poste antes de conectarlos al subwoofer. Asegúrese de que el subwoofer pueda soportar el peso del altavoz y el poste. Una vez que el subwoofer, el poste y el altavoz estén conectados, asegúrese de que todo el conjunto esté estable y no represente un riesgo de vuelco o caída.

ADVERTENCIA: No intente mover todo el conjunto. Quite el altavoz del poste antes de mover el subwoofer.

ADVERTENCIA: No utilice el montaje en poste para subwoofers apilados.



Instalación (suspensión)

Guías de instalación

Los subwoofers Bose AMS incluyen inserciones roscadas para alojar métodos de suspensión como se describe en este documento.

La suspensión en altura insegura de cualquier carga pesada puede provocar lesiones graves o la muerte, además de daños a la propiedad. Es responsabilidad del instalador evaluar la confiabilidad de cualquier método de suspensión utilizado para su aplicación. **Solo los instaladores profesionales con conocimiento de los componentes físicos adecuados y las técnicas de suspensión segura deberían intentar instalar cualquier altavoz o subwoofer en altura.**

Si utiliza un sistema de suspensión con diseño personalizado, solicite a un ingeniero profesional con licencia que revise el diseño y el método planificado de conexión a la estructura del edificio para garantizar la integridad estructural y la seguridad en la aplicación deseada.

Elija sujetadores que sean adecuados para todos los requisitos y códigos de construcción locales a fin de soportar el peso del subwoofer.

- Utilice solo sujetadores o componentes físicos de clase 8.8 o superior.
- No utilice sujetadores de equipos sin marca para montar los conjuntos del sistema, ya que no hay manera de determinar sus propiedades físicas.
- Utilice únicamente sujetadores M10 para las inserciones roscadas M10 del subwoofer. Aunque los sujetadores SAE $\frac{3}{8}$ "-16 son similares, no se pueden intercambiar con los sujetadores M10.
- No apriete en exceso los sujetadores. Si lo hace, puede dañar irreparablemente el gabinete y crear un ensamblaje inseguro.
- Asegúrese de que los sujetadores sean lo suficientemente largos como para enganchar al menos 8 roscas del punto de fijación. Si utiliza un sujetador con menos de 8 roscas, el subwoofer no tendrá un soporte adecuado, de modo que es posible que las roscas se desprendan y se produzca un ensamblaje inseguro.
- No modifique ni vuelva a enroscar los puntos de fijación roscados para alojar cualquier otro tamaño o tipo de rosca. Si lo hace, la seguridad de la instalación se verá afectada y dañará el subwoofer de forma permanente.
- Para un ensamblaje resistente a la vibración, utilice un compuesto de bloqueo destinado para el desmontaje manual (como Loctite® 242®).

No utilice las asas del subwoofer para suspender el subwoofer.

No suspenda altavoces adicionales u otros elementos del subwoofer Bose AMS.

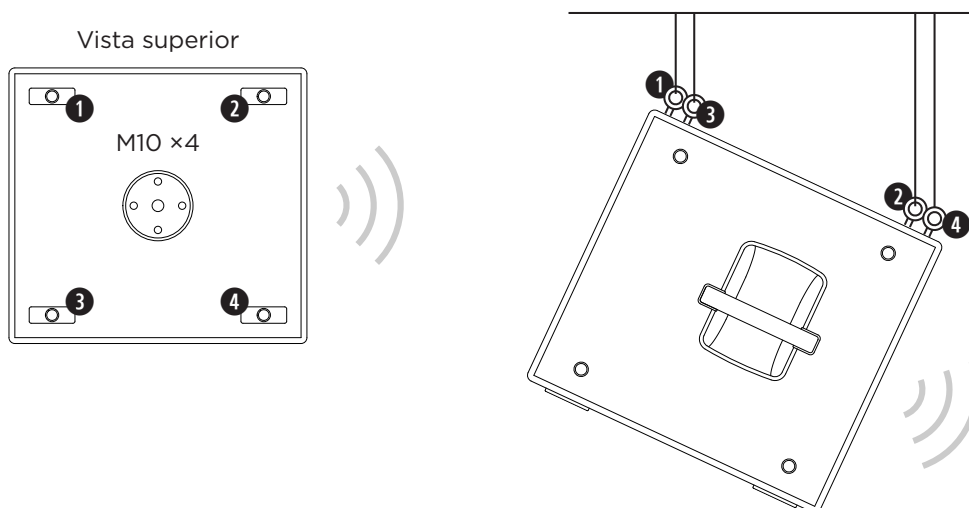
Suspensión



ADVERTENCIA: Para garantizar la instalación y el uso seguros del producto, el instalador tiene la responsabilidad de consultar la sección **Guías de instalación** anterior y la documentación del usuario de todos los componentes de montaje antes de instalar el producto.

Para suspender el subwoofer del techo, coloque pernos de ojo roscados M10 en los 4 puntos de fijación roscados M10 que se encuentran en la parte superior o en el panel lateral del subwoofer. Utilice solo pernos de ojo de carga nominal diseñados para levantamientos (según ASME B30.26).

Si utiliza un sistema de suspensión o un componente físico de diseño personalizado, un ingeniero profesional con licencia debe revisar el diseño y la fabricación. Obtenga todos los componentes del sistema de suspensión de fabricantes acreditados.



Preajustes del procesador

Utilice solo preajustes de los altavoces Bose Professional aprobados. Los preajustes que se detallan aquí están disponibles cuando se utilizan los amplificadores Bose Professional PowerMatch.

Para obtener una lista completa de los productos compatibles con los preajustes de los altavoces Bose Professional AMM, visite PRO.BOSE.COM.

Aplicación	Nombre del preajuste
Subwoofer	AMS115 Sub

Especificaciones técnicas


Conectores	2 entradas Neutrik® NL4	Pin 1+: LF+ Pin 1-: LF- Pin 2+: No conectado Pin 2-: No conectado
Manejo de potencia	500 W (RMS), 2800 W (pico)	
Impedancia nominal	8 Ω	
Dimensiones (alto x ancho x profundidad)	47.0 cm x 47.0 cm x 50.8 cm (18.5" x 18.5" x 20.0")	
Peso neto	28.39 kg (62.60 lb)	

Lisez et conservez à portée de main toutes les consignes de sécurité et le mode d'emploi.


Ce produit doit être installé par un technicien professionnel !


Ce document est conçu pour apporter aux utilisateurs des instructions de sécurité et des informations sur la configuration de base uniquement. Si ce produit doit être monté ou suspendu de façon permanente en installation fixe, veuillez consulter toutes les documentations Bose correspondantes (voir **Documentation Produit Supplémentaire**) et celles des fabricants des autres composants de l'installation avant de procéder à l'installation du produit.

Ne tentez pas de réparer ce produit vous-même. Confiez toutes les opérations de maintenance à des centres de service, installateurs, techniciens, revendeurs ou distributeurs agréés. Pour contacter Bose Professional ou pour trouver un revendeur ou un distributeur près de chez vous, rendez-vous à l'adresse **PRO.BOSE.COM**.



AVERTISSEMENTS/PRÉCAUTIONS

 Ce symbole sur le produit signale les instructions importantes mentionnées dans le guide d'installation, relatives au fonctionnement et à l'entretien de l'appareil.

 Ce produit contient des composants magnétiques. Consultez votre médecin afin de savoir si ces composants peuvent avoir une incidence sur tout dispositif médical implanté.

Tous les produits Bose doivent être installés dans le respect des réglementations locales et nationales. L'installateur est responsable du respect de tous les codes et règlements locaux et nationaux en vigueur applicables à l'installation et au montage des enceintes et de leurs supports. Consultez les autorités locales compétentes avant d'installer ce produit.

Une fois installées, les enceintes doivent faire l'objet d'une inspection et d'un entretien préventif afin de préserver leur fonctionnement en toute sécurité. Vérifiez que les composants et les points de fixation ne portent pas de traces de corrosion, de déformations ou autre signe de détérioration de leur intégrité structurelle. Remplacez immédiatement tout composant usé ou endommagé.

Veuillez à ne pas effectuer de modifications non autorisées sur ce produit.

Veuillez à ne pas installer sur des surfaces peu résistantes ou dans lesquelles peuvent être intégrés des éléments dangereux, tels que des fils électriques ou des tuyaux de plomberie. Confiez l'installation du support à un professionnel qualifié, conformément aux réglementations locales.

N'installez pas le support ou le produit à proximité d'une source de chaleur, telle qu'une cheminée, un radiateur, une arrivée d'air chaud ou tout autre appareil (notamment des amplificateurs) produisant de la chaleur.

Veuillez à NE PAS utiliser cet appareil dans des véhicules ou des bateaux.

Pour assurer une ventilation correcte, Bose déconseille de placer ce produit dans un espace confiné tel qu'une cavité murale ou un placard fermé.

Protégez ce produit de TOUT risque de ruissellement ou d'éclaboussure. Ne placez pas d'objets contenant des liquides, tels que des vases, sur le produit ou à proximité.

Ne montez pas le produit dans des endroits où de la condensation peut se former.

Ce produit n'est pas destiné à être monté ou utilisé dans des installations humides en intérieur (par exemple piscine intérieure, parc aquatique intérieur, baignoire à remous, sauna, hammam, patinoire intérieure, etc.).

Tout montage non sécurisé ou suspension d'une lourde charge peut provoquer des dégâts matériels et des blessures graves, voire la mort. Il est de la responsabilité de l'installateur d'évaluer la fiabilité de la méthode de montage utilisée, en fonction de l'application. Seul un installateur professionnel connaissant les accessoires et techniques de montage adaptés est qualifié pour installer des enceintes suspendues.

N'exposez pas l'enceinte ou les accessoires de montage à des substances chimiques qui ne sont pas spécifiées par Bose, y compris, mais sans s'y limiter, les lubrifiants, les produits de nettoyage, les sprays de contact ou les solvants à base d'hydrocarbures. L'exposition à de telles substances peut provoquer une dégradation du matériau plastique, se traduisant par des fêlures pouvant conduire à une chute de l'enceinte.

Informations réglementaires

Numéro de modèle : AMST15

 Bose Corporation déclare que ce produit est conforme aux critères essentiels et autres dispositions de la Directive 2014/35/UE et des autres directives européennes applicables. La déclaration de conformité complète est disponible à l'adresse suivante : www.Bose.com/compliance.


 Ce symbole signifie que le produit ne doit pas être jeté avec les déchets ménagers, mais doit être déposé dans un centre de collecte approprié pour recyclage. La mise au rebut adéquate et le recyclage permettent de protéger les ressources naturelles, la santé humaine et l'environnement. Pour plus d'informations sur l'élimination et le recyclage de ce produit, contactez votre mairie, votre service d'enlèvement des ordures ou le magasin où vous avez acheté ce produit.

Tableau des restrictions concernant les substances dangereuses en Chine

Contient des substances ou éléments toxiques ou dangereux						
Substances ou éléments toxiques ou dangereux						
Nom	Plomb (Pb)	Mercure (Hg)	Cadmium (Cd)	Chrome hexavalent (CR(VI))	Biphényle polybromé (PBB)	Éther de diphényle polybromé (PBDE)
Polychlorobiphényles (PCB)	X	0	0	0	0	0
Pièces métalliques	X	0	0	0	0	0
Pièces en plastique	0	0	0	0	0	0
Enceintes	X	0	0	0	0	0
Câbles	X	0	0	0	0	0

Les données de ce tableau sont conformes aux dispositions de la norme SJ/T 11364.

0 : indique que la quantité de cette substance toxique ou dangereuse contenue dans tous les composants homogènes de cette pièce est inférieure à la limite définie dans la norme GB/T 26572.

X : indique que la quantité de cette substance toxique ou dangereuse contenue dans au moins un des composants homogènes de cette pièce est supérieure à la limite définie dans GB/T 26572.




Tableau des restrictions concernant les substances dangereuses à Taïwan

Nom de l'appareil : Enceinte professionnelle Désignation du type : AMST15						
Substances réglementées et leurs symboles chimiques						
Élément	Plomb (Pb)	Mercure (Hg)	Cadmium (Cd)	Chrome hexavalent (Cr+6)	Biphényles polybromés (PBB)	Éthers de diphényle polybromés (PBDE)
Polychlorobiphényles (PCB)	-	o	o	o	o	o
Pièces métalliques	-	o	o	o	o	o
Pièces en plastique	o	o	o	o	o	o
Enceintes	-	o	o	o	o	o
Câbles	-	o	o	o	o	o

Remarque 1 : « o » indique que le pourcentage de la substance réglementée ne dépasse pas le pourcentage de la valeur de référence de présence de cette substance.

Remarque 2 : « - » indique l'absence de cette substance réglementée.

Date de fabrication : le huitième chiffre du numéro de série indique l'année de fabrication ; par exemple, « 0 » correspond à 2010 ou à 2020.

Importateur pour la Chine : Bose Electronics (Shanghai) Company Limited, Part C, Plant 9, No. 353 North Ruying Road, Chine (Shanghai) Pilot Free Trade Zone

Importateur pour l'UE : Bose Products B.V., Gorslaan 60, 1441 RG Purmerend, Pays-Bas

Importateur pour le Mexique : Bose de México, S. de R.L. de C.V., Paseo de las Palmas 405-204, Lomas de Chapultepec, 11000 México, D.F. Pour plus d'informations sur l'importateur et le service, appelez le +5255 (5202) 3545

Importateur pour Taïwan : Bose Taiwan Branch, 9F-A1, No. 10, Section 3, Minsheng East Road, Taipei City 104, Taïwan. Numéro de téléphone : +886-2-2514 7676

Siège de Bose Corporation : 1-877-230-5639

Bose et PowerMatch sont des marques commerciales de Bose Corporation.

Loctite et 242 sont des marques commerciales et/ou des marques déposées de Henkel et ses affiliés aux États-Unis et dans d'autres pays.

Neutrik est une marque déposée de Neutrik AG.

Toutes les autres marques commerciales appartiennent à leurs propriétaires respectifs.

©2020 Bose Corporation. Toute reproduction, modification, distribution ou autre utilisation, même partielle, de ce document est interdite sans autorisation écrite préalable.

Informations relatives à la garantie

Cet appareil est couvert par une garantie limitée.
 Pour en savoir plus sur la garantie, consultez la page pro.Bose.com/warranty.

Documentation produit supplémentaire

Ce guide contient des informations sur la configuration de base uniquement. Si ce produit doit être monté ou suspendu de façon permanente en installation fixe, veuillez consulter toutes les documentations Bose correspondantes sur la page Web ci-contre.

Afin d'assurer une installation du produit en toute sécurité, il relève de la responsabilité de l'installateur de se référer à toutes les documentations pertinentes concernant ce produit et tous les autres composants de l'installation avant de procéder à l'installation du produit.

Seul un installateur professionnel connaissant le matériel et les techniques de montage adaptées est qualifié pour installer des enceintes suspendues.

Pour accéder à des documentations Bose supplémentaires concernant ce produit, scannez le code QR ci-contre ou rendez-vous sur la page Web indiquée.



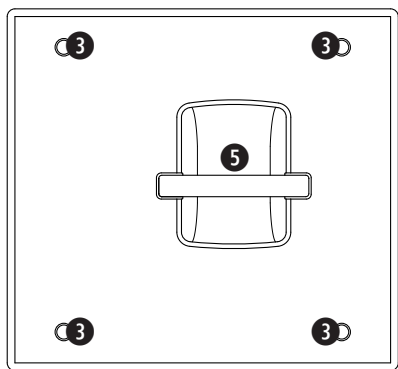
pro.bose.com/ams115

Caractéristiques du produit

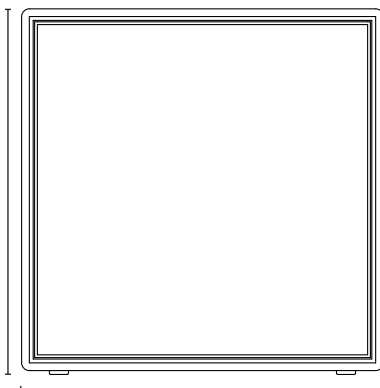
Poids net : 28,39 kg (62,60 lb)

- ❶ Connexion d'entrée
- ❷ Point de fixation M20 pour mât
- ❸ Point de suspension M10
- ❹ Point de fixation M8 pour roulette
- ❺ Poignée

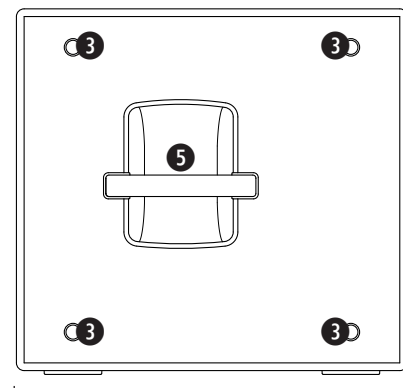
Vue latérale (gauche)



Vue avant



Vue latérale (droit)

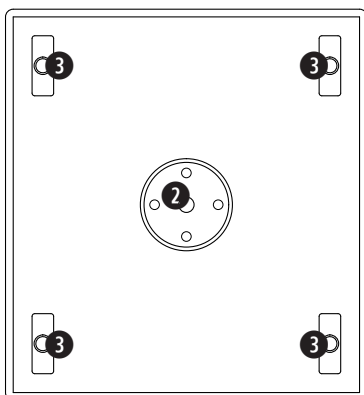


47,0 cm
(18,5 po)

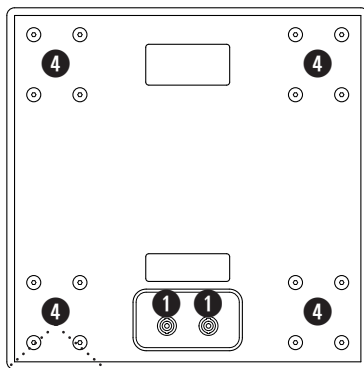
47,0 cm
(18,5 po)

50,8 cm
(20,0 po)

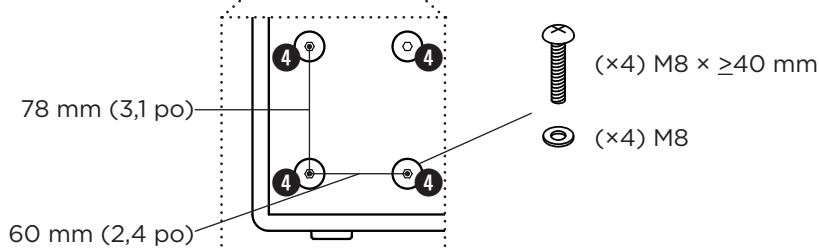
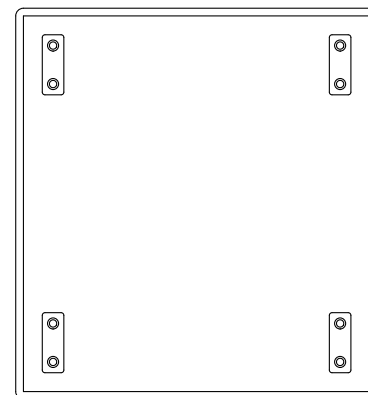
Vue de dessus



Vue arrière



Vue de dessous



Installation sur scène

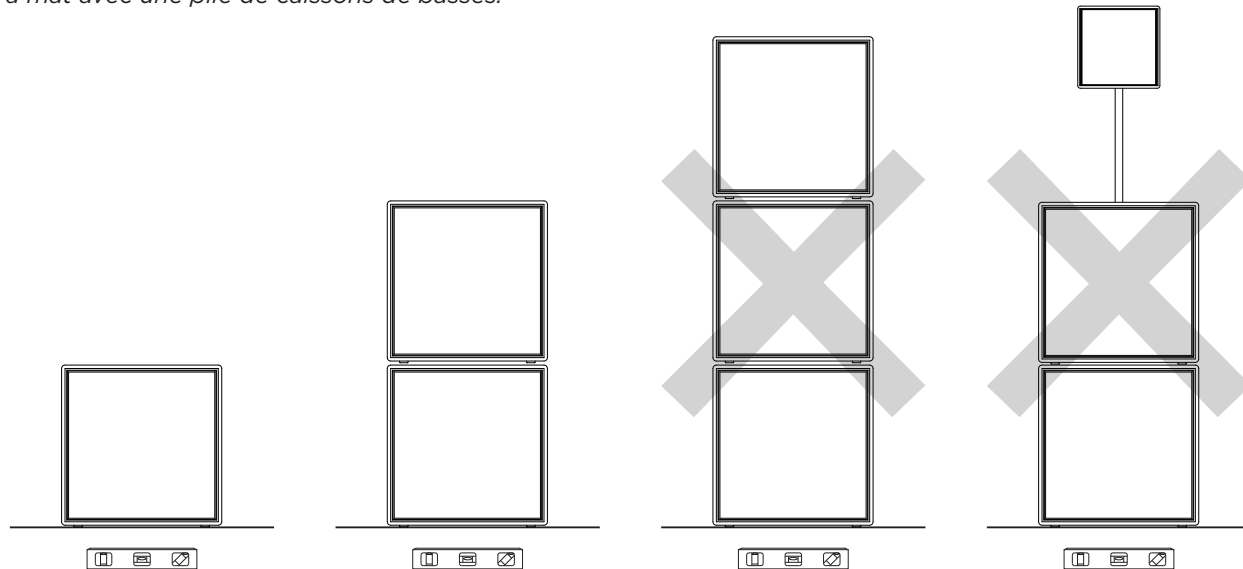
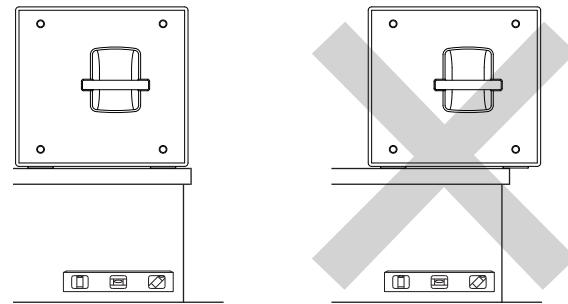


AVERTISSEMENT : vérifiez que la scène ou le sol est stable et plan.

AVERTISSEMENT : ne laissez pas le caisson de basses dépasser du bord de scène. Assurez-vous que le caisson de basses repose complètement sur la scène.

AVERTISSEMENT : n'empilez pas plus de deux caissons de basses.

AVERTISSEMENT : n'utilisez pas de socle à mât avec une pile de caissons de basses.



Avec une enceinte

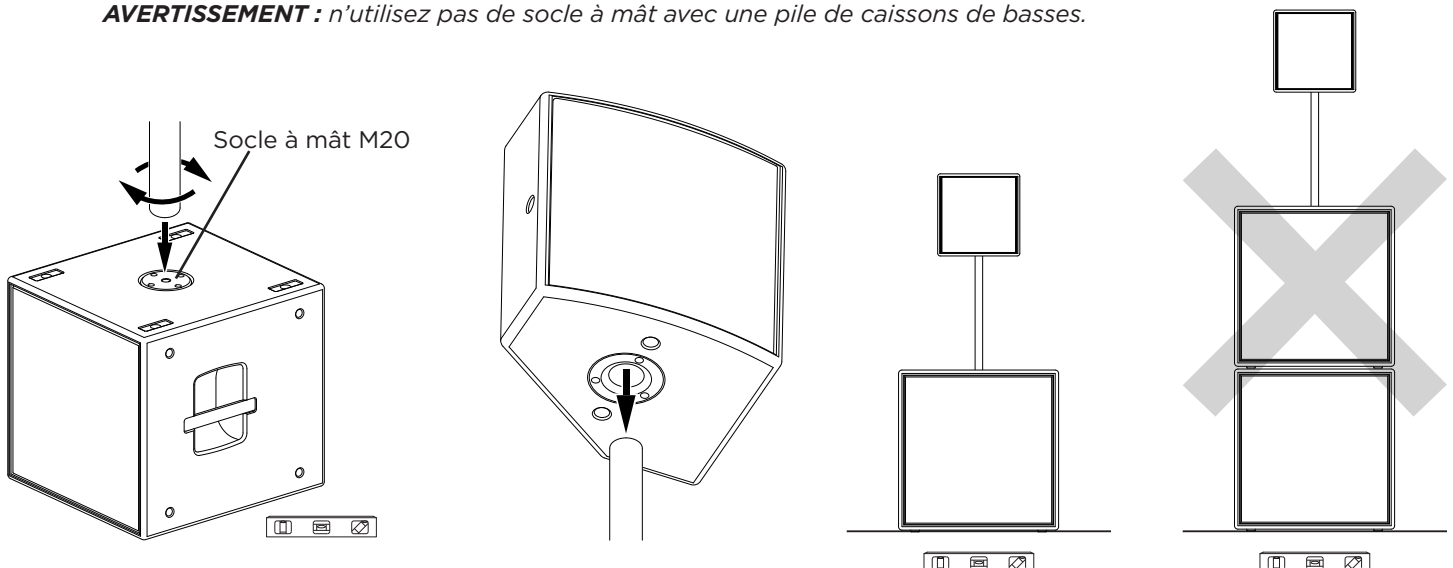


AVERTISSEMENT : vérifiez que le caisson de basses est placé sur une surface stable et plane.

AVERTISSEMENT : veuillez vous référer à toutes les documentations pertinentes pour l'enceinte et le mât avant de les fixer au caisson de basses. Vérifiez que le caisson de basses peut supporter le poids de l'enceinte et du mât. Une fois le caisson de basses, le mât et l'enceinte fixés, assurez-vous que l'ensemble est bien stable et ne présente pas de risque de basculement ou de chute.

AVERTISSEMENT : n'essayez pas de déplacer l'ensemble monté. Retirez d'abord l'enceinte du mât avant de déplacer le caisson de basses.

AVERTISSEMENT : n'utilisez pas de socle à mât avec une pile de caissons de basses.



Installation (Suspension)

Instructions pour l'installation

Les caissons de basses Bose AMS intègrent des inserts filetés compatibles avec les méthodes de suspension décrites dans ce document.

Tout montage non sécurisé d'une lourde charge peut provoquer des dégâts matériels et des blessures graves, voire la mort. Il est de la responsabilité de l'installateur d'évaluer la fiabilité de la méthode de montage utilisée, en fonction de l'application. **Seul un installateur professionnel connaissant le matériel et les techniques de montage adaptées est qualifié pour installer des enceintes suspendues.**

Si vous utilisez un système de suspension personnalisé, faites vérifier par un ingénieur professionnel qualifié sa conception et la méthode de fixation à la structure du bâtiment, afin d'établir l'intégrité structurelle et la sécurité pour l'application désirée.

Choisissez des fixations conformes à tous les codes applicables et toutes les exigences locales en matière de bâtiment pour supporter le poids du caisson de basses.

- N'utilisez que des fixations/matériel de Classe 8.8 ou supérieure.
- N'utilisez pas de fixations machine sans marquage de résistance à la charge pour monter le système, puisqu'il est impossible de déterminer leurs propriétés physiques.
- N'utilisez que des fixations M10 pour les inserts filetés M10 sur le caisson de basses. Bien que les fixations de type SAE $\frac{3}{8}$ "-16 soient similaires, elles ne sont pas interchangeables avec des fixations M10.
- Ne serrez pas trop fort les fixations. Vous risqueriez alors d'endommager définitivement le boîtier et de dégrader la sécurité du montage.
- Vérifiez que les fixations sont assez longues pour entrer sur au moins 8 filets du point de fixation. Si la fixation est engagée sur moins de 8 filets, le caisson de basses sera mal maintenu et pourra sortir des filets, ce qui se traduirait par une fixation non sûre.
- Ne modifiez pas les points de fixation filetés et ne refaites pas de filetage pour adapter d'autres diamètres ou types. Vous risqueriez alors de compromettre la sécurité de l'installation et d'endommager définitivement le caisson de basses.
- Pour une meilleure résistance aux vibrations de l'assemblage, utilisez un produit de type freinage des filetages prévu pour un démontage à la main (par exemple, Loctite® 242®).

Ne suspendez pas le caisson de basses par ses poignées.

Ne suspendez pas d'enceintes supplémentaires, ou tout autre élément, au caisson de basses Bose AMS.

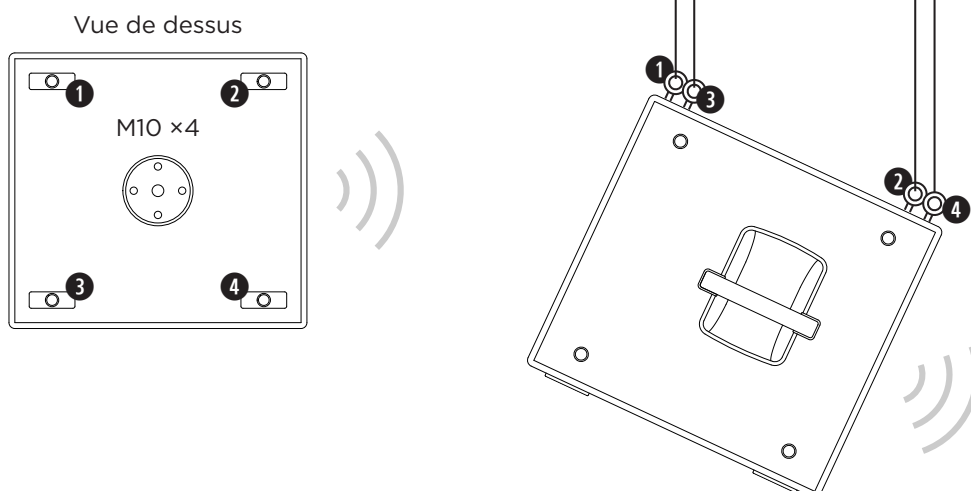
Suspension



AVERTISSEMENT : afin d'assurer une installation et une utilisation du produit en toute sécurité, il est de la responsabilité de l'installateur de se référer à la section précédente, **Instructions pour l'installation** ainsi qu'à la documentation utilisateur de tous les composants de montage/fixation avant d'installer le produit.

Pour suspendre le caisson de basses au plafond, insérez les boulons à œillet filetés M10 dans les quatre inserts filetés M10 sur le panneau du haut ou latéral du caisson de basses. N'utilisez que des boulons à œillet pour suspension, résistants à la charge (selon ASME B30.26).

Si vous utilisez un système de suspension personnalisé, faites vérifier sa conception et sa fabrication par un ingénieur professionnel qualifié. Tous les composants du système de montage doivent provenir d'un fabricant de bonne réputation.



Préréglages processeur

N'utilisez que des préréglages d'enceintes approuvées par Bose Professional. Les préréglages de la liste suivante sont disponibles lors de l'utilisation des amplificateurs Bose Professional PowerMatch.

Pour une liste complète des produits proposant des préréglages pour enceintes Bose Professional AMM, visitez le site PRO.BOSE.COM.

Utilisation	Nom du préréglage
Caisson de basses	AMS115 Sub

Caractéristiques techniques

Connecteurs	2 × entrées sur Neutrik® NL4	Point 1+ : BF+ Point 1- : BF- Point 2+ : Non connecté Point 2- : Non connecté
Puissance admissible	500 W (2800 W en crête)	
Impédance nominale	8 Ω	
Dimensions (hauteur × largeur × profondeur)	47,0 cm × 47,0 cm × 50,8 cm (18,5 po × 18,5 po × 20,0 po)	
Poids net	28,39 kg (62,60 lb)	

Bitte lesen Sie alle Sicherheitshinweise und Gebrauchsanleitungen durch und bewahren Sie sie auf.

Dieses Produkt darf nur von fachkundigen Monteuren installiert werden!

Dieses Dokument soll Anwendern lediglich Sicherheitsrichtlinien sowie Informationen für eine einfache Installation bieten. Sollte dieses Produkt dauerhaft in einer festen Installation montiert oder aufgehängt werden, lesen Sie bitte vor der Montage des Produkts die gesamte relevante Dokumentation von Bose (siehe **Zusätzliche Produktdokumentation**) sowie der Hersteller sämtlicher weiterer Installationskomponenten.

Versuchen Sie nicht, dieses Produkt selbst zu warten. Lassen Sie jegliche Reparatur- und Wartungsarbeiten nur von autorisierten Servicepartnern, Monteuren, Technikern, Händlern oder Distributoren durchführen. Die Bose Professional Kontaktdaten für Ihr Land finden Sie auf PRO.BOSE.COM.

WARNHINWEISE

Dieser Warnhinweis auf dem Produkt weist auf wichtige Bedien- und Wartungsinformationen in dieser Anleitung hin.

Dieses Produkt enthält magnetische Materialien. Wenden Sie sich an Ihren Arzt, wenn Sie wissen möchten, ob dies den Betrieb Ihres implantierten medizinischen Geräts beeinflussen kann.

Alle Produkte von Bose müssen gemäß den örtlichen und staatlichen Vorschriften sowie gemäß allen Branchenbestimmungen installiert werden. Der Monteur ist dafür verantwortlich, sicherzustellen, dass die Installation der Lautsprecher und der Halterung gemäß allen geltenden Vorschriften durchgeführt wird, einschließlich örtlicher Bauvorschriften und -bestimmungen. Wenden Sie sich vor der Installation dieses Produkts an die zuständige abnehmende Behörde.

Installierte Lautsprecher erfordern regelmäßige Inspektion und Routinewartung, um die ordnungsgemäße Funktion und den sicheren Betrieb zu gewährleisten. Überprüfen Sie die Befestigungselemente und das Zubehör auf Anzeichen von Korrosion, Verbiegen oder andere Zustände, die die strukturelle Integrität verringern können. Ersetzen Sie abgenutzte oder beschädigte Teile sofort.

Nehmen Sie keine nicht genehmigten Änderungen an diesem Produkt vor.

Bei der Montage ist auf eine tragfähige Oberfläche zu achten, in deren Nähe sich keine Einrichtungen wie strom- oder wasserführende Leitungen befinden. Stellen Sie sicher, dass die Halterung von einem fachkundigen Monteur und gemäß den örtlichen Bauvorschriften montiert wird.

Montieren oder platzieren Sie das Gerät nicht in der Nähe von Wärmequellen wie Heizkörpern, Wärmespeichern oder anderen Geräten (auch Verstärkern), die Wärme erzeugen.

Verwenden Sie das Produkt NICHT in Fahrzeugen oder Booten.

Aufgrund der Belüftungsanforderungen sollten Sie das Produkt nicht in einem geschlossenen Raum, zum Beispiel in einer Wandnische oder in einem geschlossenen Schrank, aufstellen.

Schützen Sie dieses Produkt vor tropfenden oder spritzenden Flüssigkeiten und stellen Sie KEINE mit Flüssigkeiten gefüllten Gefäße (z. B. Vasen) auf das Produkt oder in die Nähe des Produkts.

Montieren Sie das Produkt nicht an Orten, an denen Kondenswasser auftreten kann.

Dieses Produkt ist nicht für die Installation oder Verwendung in Feuchtbereichen (zum Beispiel Schwimmbädern, Wasserparks, Räumen mit Whirlpools, Saunas, Dampfbädern und Eislaufbahnen) gedacht.

Eine nicht ausreichend sichere Montage schwerer Lasten oder deren Aufhängung über Kopf kann zu schweren oder tödlichen Verletzungen und Sachschäden führen. Der Monteur ist dafür verantwortlich, die Zuverlässigkeit der für die Anwendung verwendeten Befestigungstechniken zu prüfen. Nur fachkundige Monteure mit Kenntnissen über sachgemäße Befestigungselemente und sichere Befestigungstechniken sollten Lautsprecher über Kopf installieren.

Stellen Sie sicher, dass der Lautsprecher und die Montagekomponenten nicht mit chemischen Substanzen in Berührung kommen, die nicht von Bose zugelassen sind. Dies umfasst unter anderem Schmiermittel, Reinigungsmittel, Kontaktspray oder Lösungsmittel auf Kohlenwasserstoffbasis. Der Kontakt mit solchen Mitteln kann zu Rissen im Kunststoffmaterial und infolgedessen zum Herunterfallen führen.

Gesetzliche Hinweise

Modellnummer: AMS115

Die Bose Corporation erklärt hiermit, dass dieses Produkt die wesentlichen Anforderungen und andere relevante Bestimmungen der Richtlinie 2014/35/EU und weitere geltende EU-Richtlinien erfüllt. Die vollständige Konformitätserklärung ist einsehbar unter: www.bose.com/compliance.

Dieses Symbol bedeutet, dass das Produkt nicht mit dem Hausmüll entsorgt werden darf, sondern bei einer geeigneten Recycling-Sammelstelle abgegeben werden muss. Die ordnungsgemäße Entsorgung und das Recycling tragen dazu bei, die natürlichen Ressourcen, die Gesundheit und die Umwelt zu schützen. Weitere Informationen zur Entsorgung und zum Recycling dieses Produkts erhalten Sie von Ihrer zuständigen Kommune, Ihrem Entsorgungsdienst oder dem Geschäft, in dem Sie dieses Produkt gekauft haben.

Tabelle zur Einschränkung gefährlicher Stoffe für China

Namen und Inhalt der giftigen oder gefährlichen Stoffe oder Elemente						
Gefährliche Stoffe oder Elemente						
Name des Teils	Blei (Pb)	Quecksilber (Hg)	Kadmium (Cd)	Sechswertig (CR(VI))	Polybromiertes Biphenyl (PBB)	Polybromierter Diphenylether (PBDE)
PCBs	X	0	0	0	0	0
Metallteile	X	0	0	0	0	0
Kunststoffteile	0	0	0	0	0	0
Lautsprecher	X	0	0	0	0	0
Kabel	X	0	0	0	0	0

Diese Tabelle wurde in Übereinstimmung mit den Bestimmungen von SJ/T 11364 erstellt.

O: Gibt an, dass dieser giftige oder gefährliche Stoff, der in allen homogenen Materialien für dieses Teil enthalten ist, unter den Grenzwerten gemäß GB/T 26572 liegt.

X: Gibt an, dass dieser giftige oder gefährliche Stoff, der in mindestens einem der homogenen Materialien enthalten ist, die für dieses Teil verwendet wurden, über den Grenzwerten gemäß GB/T 26572 liegt.

Tabelle mit Vorgaben zur Einschränkung der Verwendung bestimmter gefährlicher Stoffe in Taiwan

Gerätebezeichnung: Professional Lautsprecher Typenbezeichnung: AMS115						
Stoffe mit eingeschränkter Verwendung und ihre chemischen Symbole						
Einheit	Blei (Pb)	Quecksilber (Hg)	Kadmium (Cd)	Sechswertiges Chrom (Cr+6)	Polybromierte Biphenyle (PBB)	Polybromierte Diphenylether (PBDE)
PCBs	-	o	o	o	o	o
Metallteile	-	o	o	o	o	o
Kunststoffteile	o	o	o	o	o	o
Lautsprecher	-	o	o	o	o	o
Kabel	-	o	o	o	o	o

Hinweis 1: „o“ zeigt an, dass der prozentuale Gehalt des Stoffes mit eingeschränkter Verwendung den Prozentsatz des Referenzwertes des Vorhandenseins nicht überschreitet.

Hinweis 2: „-“ gibt an, dass der Stoff mit eingeschränkter Verwendung der Ausnahme entspricht.

Herstellungsdatum: Die achte Ziffer in der Seriennummer gibt das Herstellungsjahr an: „0“ ist 2010 oder 2020.

Importeur aus China: Bose Electronics (Shanghai) Company Limited, Part C, Plant 9, No. 353 North Ruying Road, China (Shanghai) Pilot Free Trade Zone

Importeur aus der EU: Bose Products B.V., Gorslaan 60, 1441 RG Purmerend, Niederlande

Importeur aus Mexiko: Bose de México, S. de R.L. de C.V., Paseo de las Palmas 405-204, Lomas de Chapultepec, 11000 México, D.F. Importeur- oder Serviceinformationen erhalten Sie unter +5255 (5202) 3545

Importeur aus Taiwan: Bose Taiwan Branch, 9F-A1, No. 10, Section 3, Minsheng East Road, Taipei City 104, Taiwan. Tel.: +886-2-2514 7676

Hauptsitz der Bose Corporation: 1-877-230-5639

Bose und PowerMatch sind Marken der Bose Corporation.

Loctite und 242 sind Marken und/oder eingetragene Marken von Henkel und/oder verbundenen Unternehmen in den USA und weltweit.

Neutrik ist eine eingetragene Marke der Neutrik AG.

Alle anderen Marken sind das Eigentum ihrer jeweiligen Inhaber.

© 2020 Bose Corporation. Dieses Dokument darf ohne vorherige schriftliche Genehmigung weder ganz noch teilweise reproduziert, verändert, vertrieben oder in anderer Weise verwendet werden.

Garantiehinweise

Für dieses Produkt gilt eine eingeschränkte Garantie. Einzelheiten zur Garantie finden Sie unter pro.bose.com/warranty.

Zusätzliche Produktdokumentation

Diese Anleitung bietet lediglich Informationen für eine simple Installation. Sollte dieses Produkt dauerhaft in einer festen Installation montiert oder aufgehängt werden, lesen Sie bitte die gesamte relevante Dokumentation von Bose auf der hier angegebenen Website.



Um eine sichere Installation des Produkts zu gewährleisten, muss der Monteur vor der Produktinstallation die gesamte relevante Produktdokumentation zu diesem Produkt sowie zu sämtlichen weiteren Installationskomponenten lesen.

Nur fachkundige Monteure mit Kenntnissen über sachgemäße Befestigungselemente und sichere Befestigungstechniken sollten Lautsprecher oder Subwoofer über Kopf installieren.

pro.bose.com/ams115

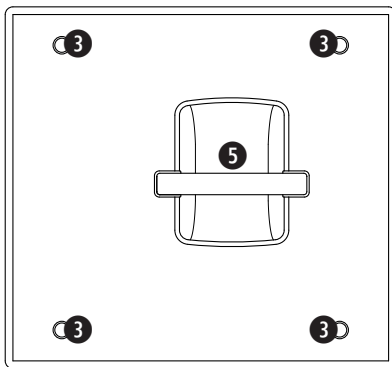
Für zusätzliche Dokumentation von Bose zu diesem Produkt scannen Sie den QR-Code oder rufen Sie die hier angegebene Website auf.

Produktdetails

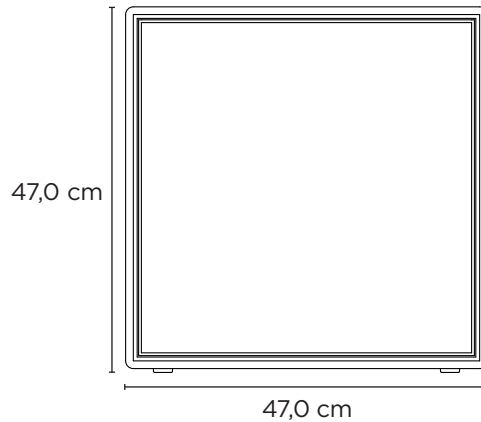
Nettogewicht: 28,39 kg

- ➊ Anschlussfeld
- ➋ M10-Gewindeinsatz zur Befestigung
- ➌ M8-Gewindeinsatz für Rollen
- ➍ Tragegriff

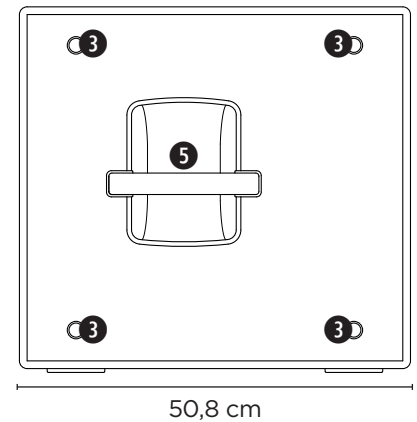
Seitenansicht (links)



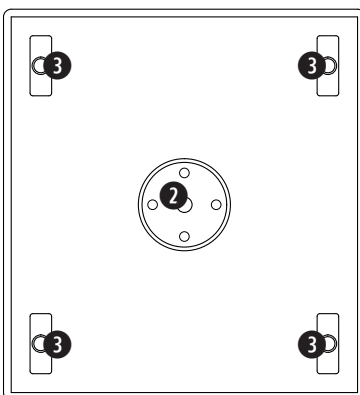
Vorderansicht



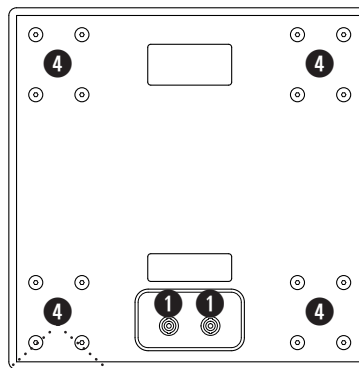
Seitenansicht (rechts)



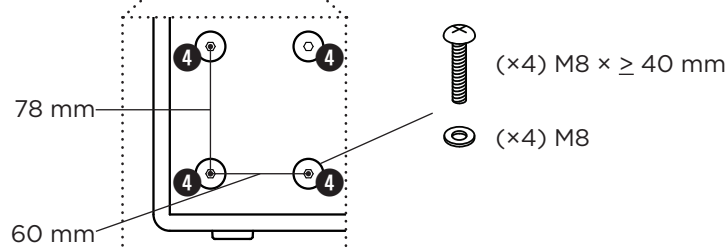
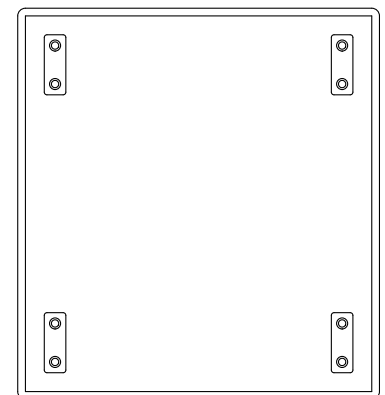
Ansicht von oben



Rückansicht



Ansicht von unten



Bühnenbeschallung

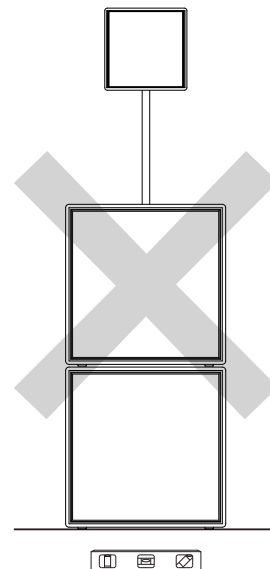
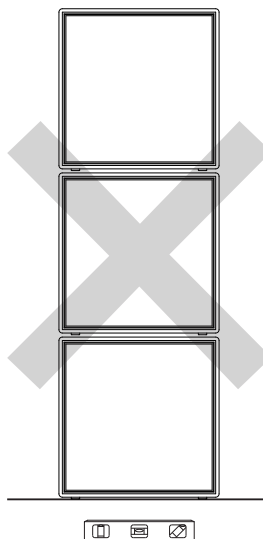
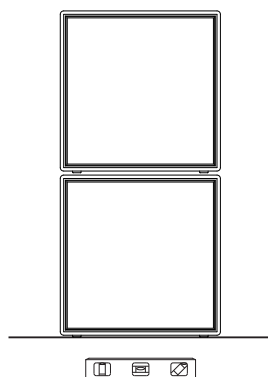
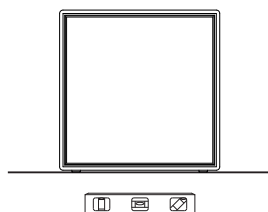
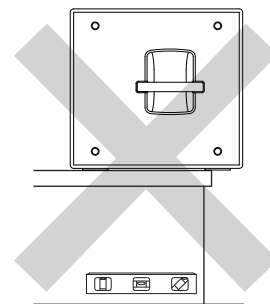
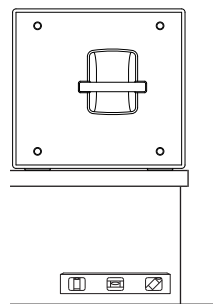


WICHTIGER HINWEIS: Achten Sie darauf, dass die Bühne oder der Boden stabil und waagrecht ist.

WICHTIGER HINWEIS: Der Subwoofer darf nicht über den Bühnenrand ragen. Achten Sie darauf, dass der gesamte Subwoofer auf der Bühne steht.

WICHTIGER HINWEIS: Stapeln Sie nicht mehr als zwei Subwoofer übereinander.

WICHTIGER HINWEIS: Auf gestapelten Subwoofern darf keine Stativstange verwendet werden.



Mit einem Lautsprecher

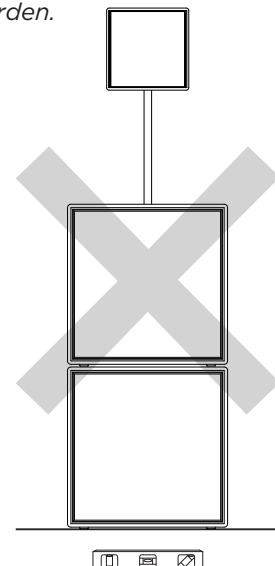
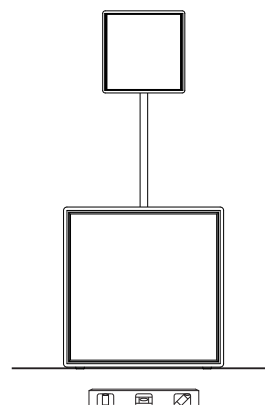
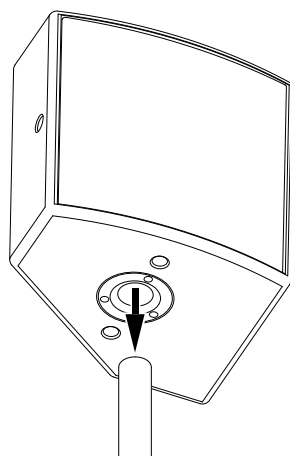
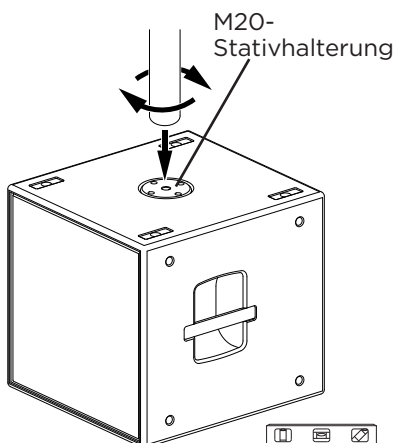


WICHTIGER HINWEIS: Achten Sie darauf, dass der Subwoofer auf einer stabilen, waagerechten Oberfläche steht.

WICHTIGER HINWEIS: Lesen Sie die gesamte relevante Dokumentation zum Lautsprecher und zur Stativstange, bevor Sie diese am Subwoofer befestigen. Achten Sie darauf, dass der Subwoofer das Gewicht des Lautsprechers und der Stativstange tragen kann. Wenn Subwoofer und Stativstange montiert sind und der Lautsprecher befestigt ist, prüfen Sie, dass die Montage stabil ist und keine Gefahr des Umkippens oder Herunterfallens besteht.

WICHTIGER HINWEIS: Versuchen Sie nicht, die gesamte Einheit zu bewegen. Entfernen Sie den Lautsprecher von der Stativstange, bevor Sie den Subwoofer bewegen.

WICHTIGER HINWEIS: Auf gestapelten Subwoofern darf keine Stativstange verwendet werden.



Installation (Aufhängung)

Installationsanleitung

Bose AMS Subwoofer verfügen über Gewindeeinsätze für die einfache Installation mit Aufhängungstechniken so wie in diesem Dokument beschrieben.

Eine nicht ausreichend sichere Aufhängung schwerer Lasten über Kopf kann zu schweren oder tödlichen Verletzungen und Sachschäden führen. Der Monteur ist dafür verantwortlich, die Zuverlässigkeit der für die Anwendung verwendeten Aufhängungstechniken zu prüfen. **Nur fachkundige Monteure mit Kenntnissen über sachgemäße Befestigungselemente und sichere Aufhängungstechniken sollten Lautsprecher oder Subwoofer über Kopf installieren.**

Sollten Sie ein anwendungsspezifisches Aufhängungssystem verwenden, lassen Sie die Konstruktion sowie die geplante Befestigungsmethode an der Gebäudestruktur von einem zugelassenen fachkundigen Ingenieur auf mechanische Stabilität und Sicherheit für die geplante Anwendung prüfen.

Verwenden Sie Sicherungselemente, die den örtlichen Bauvorschriften und Anforderungen entsprechen und für das Gewicht des Subwoofers geeignet sind.

- Verwenden Sie nur Sicherungselemente der Klasse 8.8 oder höher.
- Verwenden sie keine nicht gekennzeichneten Maschinensicherungselemente für die Montage von Systemen, da sich deren physische Eigenschaften nicht überprüfen lassen.
- Verwenden Sie für die M10-Gewindeeinsätze am Subwoofer ausschließlich M10-Sicherungselemente. Auch wenn SAE- $\frac{3}{8}$ "-16-Sicherungselemente ähnlich sind, sind sie nicht mit M10-Sicherungselementen austauschbar.
- Ziehen Sie die Sicherungselemente nicht zu fest an. Anderenfalls kann der Lautsprecher irreparabel beschädigt werden, und die Montage ist möglicherweise nicht mehr sicher.
- Achten Sie darauf, dass die Sicherungselemente lang genug sind, um in mindestens acht Gewindgänge am Befestigungspunkt eingeschraubt zu werden. Wenn ein Sicherungselement mit weniger als acht Gewindgängen eingeschraubt wird, führt dies zu einem nicht ausreichenden Halt des Subwoofers, was die Gewinde beschädigen und die Montage unsicher machen kann.
- Die Gewindebefestigung darf nicht für eine andere Gewindegröße oder -art verändert oder neu geschnitten werden. Anderenfalls wird die Sicherheit der Installation gefährdet und der Subwoofer dauerhaft beschädigt.
- Für eine vibrationsfeste Montage eine für die Hand-Demontage vorgesehene Schraubensicherung verwenden (beispielsweise Loctite® 242®).

Den Subwoofer nicht an den Tragegriffen des Subwoofers aufhängen.

Keine zusätzlichen Lautsprecher oder andere Gegenständen am Bose AMS Subwoofer aufhängen.

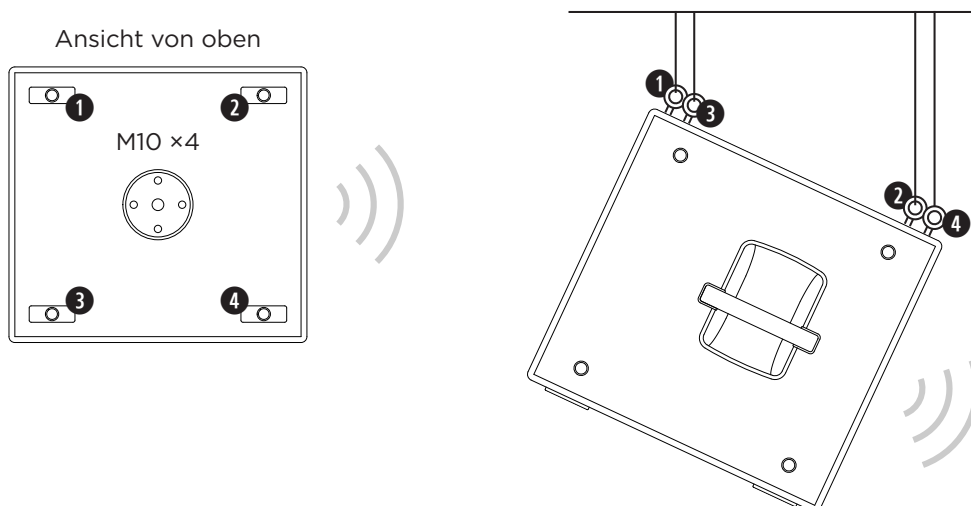
Aufhängung



WICHTIGER HINWEIS: Um eine sichere Produktinstallation und -verwendung zu gewährleisten, ist der Monteur vor der Produktinstallation dafür verantwortlich, den vorherigen Abschnitt der **Installationsanleitung** sowie die Anwenderdokumentation aller Montagekomponenten zu lesen.

Um den Subwoofer von der Decke abzuhängen, befestigen Sie M10-Ringschrauben an den vier M10-Gewindebefestigungspunkten an der Oberseite oder an der Seite des Subwoofers. Verwenden Sie ausschließlich für das Heben vorgesehene und die Last zugelassene Ringschrauben (gemäß ASME B30.26).

Sollten Sie ein anwendungsspezifisches Aufhängungssystem oder anwendungsspezifische Sicherungselemente verwenden, müssen die Konstruktion und die Herstellung durch einen zugelassenen fachkundigen Ingenieur geprüft werden. Beziehen Sie alle Komponenten der Aufhängung von zertifizierten Herstellern.



Prozessor-Presets

Verwenden Sie ausschließlich freigegebene Bose Professional Lautsprecher-Presets. Die hier gelisteten Presets sind bei Verwendung von Bose Professional PowerMatch Verstärkern verfügbar.

Eine vollständige Liste mit Produkten, die Bose Professional AMM Lautsprecher-Presets unterstützen, finden Sie unter PRO.BOSE.COM.

Anwendung	Preset-Bezeichnung
-----------	--------------------

Subwoofer	AMS115 Sub
-----------	------------

Technische Spezifikationen


Anschlüsse	2 × Neutrik® NL4-Eingänge	Pin 1+: LF+ Pin 1-: LF- Pin 2+: Nicht verbunden Pin 2-: Nicht verbunden
Leistung	500 W (RMS), 2.800 W (Spitze)	
Nennimpedanz	8 Ω	
Abmessungen (Höhe × Breite × Tiefe)	47,0 cm × 47,0 cm × 50,8 cm	
Nettogewicht	28,39 kg	

Leggere e conservare tutte le istruzioni per la sicurezza, la tutela delle persone e l'uso del prodotto.


Questo prodotto deve essere installato esclusivamente da installatori professionisti.

Il presente documento ha l'unico scopo di fornire all'utente le linee guida di sicurezza e le informazioni per la configurazione di base. Se il prodotto verrà installato o sospeso come parte di un impianto permanente fisso, consultare tutta la documentazione Bose pertinente (vedere **Documentazione aggiuntiva sul prodotto**) e del produttore degli altri componenti di installazione, prima di installare il prodotto.


Non tentare di riparare il prodotto autonomamente. Per tutti gli interventi di assistenza, rivolgersi ai centri assistenza, agli installatori, ai tecnici, ai rivenditori o ai distributori autorizzati. Per contattare Bose Professional o per trovare il rivenditore o distributore più vicino, visitare **PRO.BOSE.COM**.



AVVISI/AVVERTENZE



Questo simbolo sul prodotto segnala istruzioni importanti di funzionamento e di manutenzione presenti in questa guida.



Questo prodotto contiene materiale magnetico. Rivolgersi al proprio medico per eventuali domande sui possibili effetti del prodotto sui dispositivi medici impiantati nel corpo umano.

Tutti i prodotti Bose devono essere installati in conformità agli standard locali, statali, federali e di settore. È responsabilità dell'installatore assicurare che l'installazione dei diffusori e del sistema di montaggio venga eseguita in conformità alle normative vigenti, compresi i regolamenti edilizi locali. Prima di installare il prodotto, chiedere informazioni all'autorità locale preposta.

I diffusori installati devono essere regolarmente ispezionati e sottoposti a manutenzione ordinaria per accertarne il funzionamento in tutta sicurezza. Controllare che gli accessori di montaggio e i componenti di fissaggio non presentino segni di corrosione, non siano piegati e non mostrino nessun tipo di problema che possa potenzialmente ridurre l'integrità strutturale del sistema. Sostituire immediatamente eventuali componenti usurati o danneggiati.

Non apportare alterazioni non autorizzate al prodotto.

Non eseguire l'installazione su superfici non sufficientemente robuste o dietro le quali si nascondono elementi potenzialmente pericolosi, quali cavi elettrici o tubazioni idrauliche. Assicurarsi che la staffa sia installata da un installatore professionista e in conformità alle norme edilizie locali.

Non posizionare o installare la staffa o il prodotto in prossimità di fonti di calore, quali caminetti, termosifoni, radiatori o altri apparati (inclusi amplificatori) che emettano calore.

NON utilizzare all'interno di veicoli o imbarcazioni.

A causa dei requisiti di ventilazione, Bose sconsiglia di posizionare il prodotto in spazi chiusi o angusti, ad esempio nicchie a parete o armadietti.

NON esporre questo prodotto a gocce o getti di liquidi e non porre oggetti contenenti liquidi quali vasi sopra o in prossimità di esso.

Non posizionare il prodotto in punti dove potrebbe formarsi condensa.

Il prodotto non deve essere installato né utilizzato in ambienti vicini all'acqua (ad es. piscine coperte, parchi acquatici al chiuso, sale con vasche riscaldate, saune, bagni turchi e piste di pattinaggio al chiuso).

L'installazione o la sospensione non sicura di carichi pesanti può causare gravi lesioni alle persone e danni materiali. È responsabilità dell'installatore valutare l'affidabilità del metodo di installazione utilizzato per l'applicazione specifica. Solo installatori professionisti esperti possono installare un diffusore in posizione sospesa.

Evitare di esporre il diffusore o i suoi componenti di montaggio a sostanze chimiche non specificate da Bose, inclusi a titolo esemplificativo lubrificanti, detergenti, spray per contatti e altri solventi a base di idrocarburi. L'esposizione a tali sostanze può danneggiare i materiali plastici e causare spaccature, con conseguenti rischi di caduta.

Informazioni sulle normative

Numero di modello: AMS115

 Bose Corporation dichiara che il presente prodotto è conforme ai requisiti essenziali e ad altre disposizioni applicabili della Direttiva 2014/35/UE e di tutte le altre direttive UE applicabili. La dichiarazione di conformità completa è disponibile all'indirizzo: www.bose.com/compliance.


 Questo simbolo indica che il prodotto non deve essere smaltito come rifiuto domestico, ma consegnato a una struttura di raccolta appropriata per il riciclo. Uno smaltimento e un riciclo corretti aiutano a preservare le risorse naturali, la salute e l'ambiente. Per ulteriori informazioni sullo smaltimento e sul riciclo di questo prodotto, rivolgersi alle autorità locali, al servizio di smaltimento dei rifiuti o al negozio presso il quale è stato acquistato.

Tabella delle limitazioni delle sostanze pericolose (Cina)

Nome e contenuto delle sostanze o degli elementi tossici o pericolosi						
Sostanze ed elementi tossici o pericolosi						
Nome parte	Piombo (Pb)	Mercurio (Hg)	Cadmio (Cd)	Cromo esavalente (CR[VI])	Bifenile polibromurato (PBB)	Difeniletero polibromurato (PBDE)
Circuiti stampati	X	0	0	0	0	0
Parti di metallo	X	0	0	0	0	0
Parti di plastica	0	0	0	0	0	0
Diffusori	X	0	0	0	0	0
Cavi	X	0	0	0	0	0

Questa tabella è stata messa a punto in accordo a quanto previsto dallo standard SJ/T 11364.

O: indica che questa sostanza tossica o pericolosa contenuta in tutti i materiali omogenei della parte è inferiore al limite previsto dallo standard GB/T 26572.

X: indica che la quantità della sostanza tossica o pericolosa contenuta in almeno uno dei materiali omogenei della parte è superiore al limite previsto dallo standard GB/T 26572.



Tabella delle limitazioni delle sostanze pericolose (Taiwan)

Nome dispositivo: diffusore professionale Designazione del tipo: AMS115						
Sostanze soggette a restrizioni e relativi simboli chimici						
Unità	Piombo (Pb)	Mercurio (Hg)	Cadmio (Cd)	Cromo esavalente (Cr+6)	Bifenili polibromurati (PBB)	Difenileteri polibromurati (PBDE)
Circuiti stampati	-	o	o	o	o	o
Parti di metallo	-	o	o	o	o	o
Parti di plastica	o	o	o	o	o	o
Diffusori	-	o	o	o	o	o
Cavi	-	o	o	o	o	o

Nota 1: "o" indica che il contenuto percentuale delle sostanze soggette a limitazioni non supera il valore di presenza della percentuale di riferimento.

Nota 2: il trattino "-" indica che la sostanza soggetta a limitazioni corrisponde all'esenzione.

Data di produzione: l'ottava cifra del numero di serie corrisponde all'anno di produzione; ad esempio "0" indica 2010 o 2020.

Importatore per la Cina: Bose Electronics (Shanghai) Company Limited, Part C, Plant 9, No. 353 North Riyang Road, China (Shanghai) Pilot Free Trade Zone

Importatore per l'UE: Bose Products B.V., Gorslaan 60, 1441 RG Purmerend, Paesi Bassi

Importatore per il Messico: Bose de México, S. de R.L. de C.V., Paseo de las Palmas 405-204, Lomas de Chapultepec, 11000 Messico, D.F. Per informazioni su importatori e servizi, chiamare il numero +5255 (5202) 3545

Importatore per Taiwan: Bose Taiwan Branch, 9F-A1, No. 10, Section 3, Minsheng East Road, Taipei City 104, Taiwan. N. telefono: +886-2-2514 7676

Sede principale di Bose Corporation: 1-877-230-5639

Bose e PowerMatch sono marchi commerciali di Bose Corporation.

Loctite e 242 sono marchi e/o marchi registrati di Henkel e/o delle sue consociate negli Stati Uniti e in altri Paesi.

Neutrik è un marchio registrato di Neutrik AG.

Tutti gli altri marchi sono di proprietà dei rispettivi titolari.

© 2020 Bose Corporation. Nessuna parte di questo documento può essere riprodotta, modificata, distribuita o usata in altro modo senza previa autorizzazione scritta.

Informazioni sulla garanzia

Questo prodotto è coperto da una garanzia limitata.

Per i dettagli sulla garanzia, visitare pro.bose.com/warranty.

Documentazione aggiuntiva sul prodotto

La presente guida include esclusivamente informazioni sulla configurazione di base. Se il prodotto verrà montato o sospeso come parte di un impianto permanente fisso, consultare tutta la documentazione Bose pertinente sulla pagina Web mostrata qui.

Per verificare che il prodotto sia installato in condizioni di sicurezza, l'installatore è tenuto a consultare tutta la documentazione riguardante il prodotto e tutti gli altri componenti di installazione, prima di procedere all'installazione.

Solo installatori professionisti esperti possono installare un diffusore o un subwoofer in posizione sospesa.

Per accedere all'ulteriore documentazione Bose riguardante il prodotto, eseguire una scansione del codice QR o visitare la pagina Web mostrata qui.



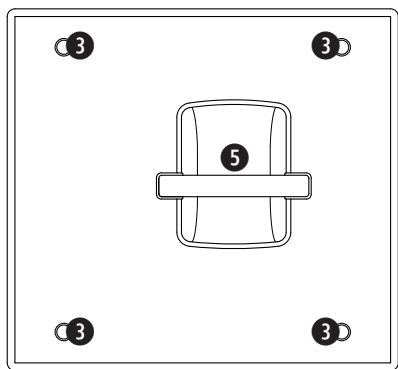
pro.Bose.com/ams115

Dettagli del prodotto

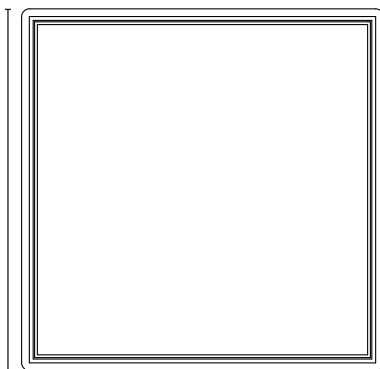
Peso netto: 28,39 kg

- ① Collegamento in ingresso
- ② Punto di attacco M20 per asta
- ③ Punto di sospensione M10
- ④ Punto di attacco M8 per ruote
- ⑤ Maniglia

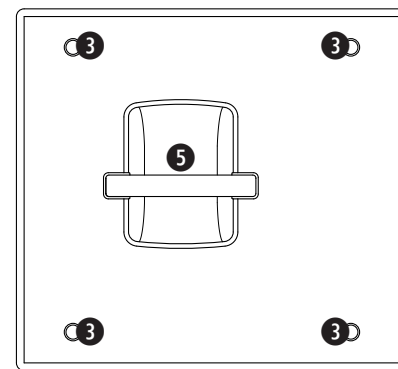
Vista laterale (sinistra)



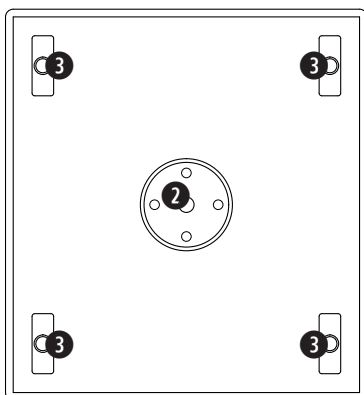
Vista anteriore



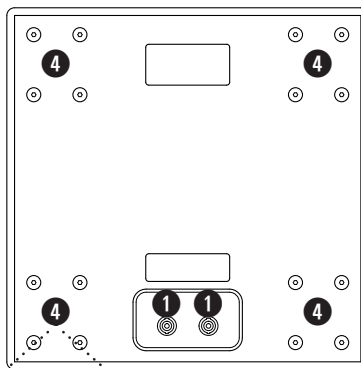
Vista laterale (destra)



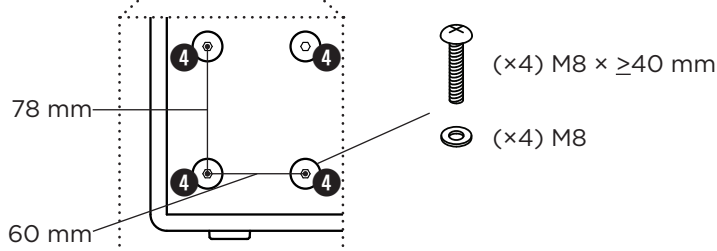
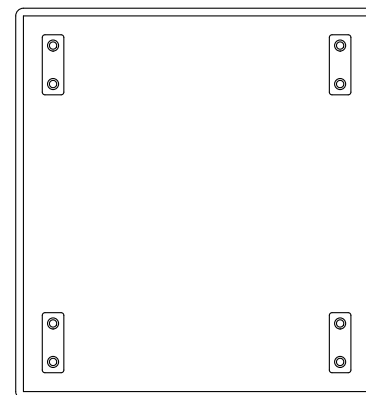
Vista superiore



Vista posteriore



Vista inferiore



Stage fill

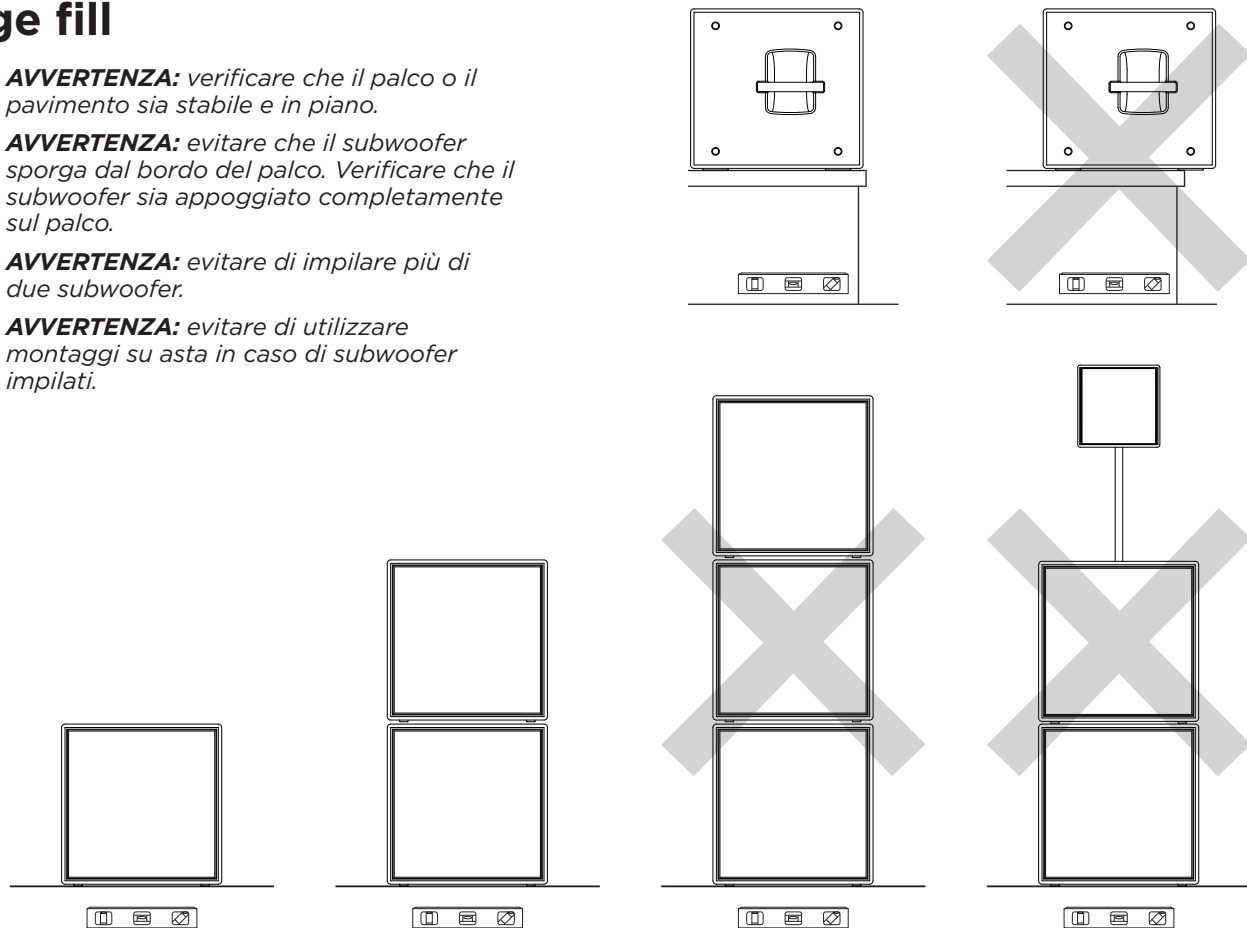


AVVERTENZA: verificare che il palco o il pavimento sia stabile e in piano.

AVVERTENZA: evitare che il subwoofer sporga dal bordo del palco. Verificare che il subwoofer sia appoggiato completamente sul palco.

AVVERTENZA: evitare di impilare più di due subwoofer.

AVVERTENZA: evitare di utilizzare montaggi su asta in caso di subwoofer impilati.



Con un diffusore

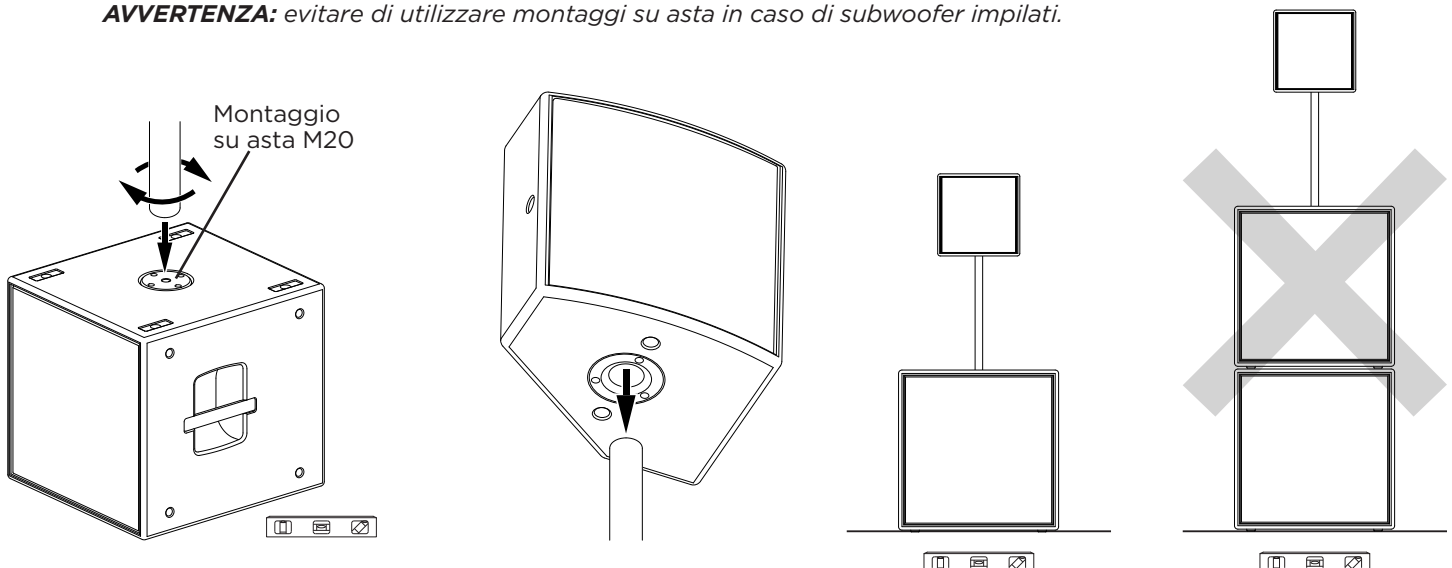


AVVERTENZA: verificare che il subwoofer sia posizionato su una superficie stabile e in piano.

AVVERTENZA: consultare tutta la documentazione riguardante il diffusore e l'asta prima di fissare entrambi al subwoofer. Verificare che il subwoofer sia in grado di sostenere il peso del diffusore e dell'asta. Una volta assemblata l'asta sul subwoofer e montato il diffusore, verificare che l'intero assemblaggio sia stabile e non presenti rischi di ribaltamento o caduta.

AVVERTENZA: evitare di spostare l'intero assemblaggio. Rimuovere il diffusore dall'asta prima di spostare il subwoofer.

AVVERTENZA: evitare di utilizzare montaggi su asta in caso di subwoofer impilati.



Installazione (sospesa)

Linee guida per l'installazione

I subwoofer Bose AMS sono dotati di inserti filettati per consentire i metodi di sospensione descritti nel presente documento.

La sospensione non sicura di carichi pesanti può causare infortuni gravi o mortali alle persone e danni materiali. È responsabilità dell'installatore valutare l'affidabilità del metodo di sospensione utilizzato per l'applicazione specifica. **Solo installatori professionisti esperti possono installare qualsiasi diffusore o subwoofer in posizione sospesa.**

Se si intende utilizzare sistemi di sospensione progettati su misura, far verificare a un ingegnere professionista certificato la progettazione e il metodo prescelto per il fissaggio alla struttura dell'edificio, in termini sia di integrità strutturale che di sicurezza dell'applicazione desiderata.

Scegliere dispositivi di fissaggio conformi a tutti i requisiti e alle normative per l'edilizia in vigore a livello locale per sostenere il peso del subwoofer.

- Utilizzare esclusivamente componenti/dispositivi di fissaggio di classe 8.8 o superiore.
- Evitare l'utilizzo di dispositivi di fissaggio privi di marcatura per l'assemblaggio dei sistemi di supporto, poiché non c'è modo di determinarne le caratteristiche fisiche.
- Utilizzare esclusivamente dispositivi di fissaggio M10 per gli inserti filettati M10 del subwoofer. Nonostante i dispositivi di fissaggio SAE da $\frac{3}{8}$ "-16 siano simili, non sono intercambiabili con i dispositivi di fissaggio M10.
- Evitare di serrare eccessivamente i dispositivi di fissaggio. Ciò potrebbe danneggiare irreparabilmente il cabinet e creare un assemblaggio non sicuro.
- Verificare che i dispositivi di fissaggio siano di lunghezza sufficiente per avvitarsi ad almeno 8 filetti del punto di attacco. Se si utilizza un dispositivo di fissaggio avvitato con meno di 8 filetti, il subwoofer non sarà fissato in modo sicuro, con possibilità di strappo dei filetti e condizioni di sicurezza inadeguate.
- Non alterare né rimaschiare i punti di attacco filettati per poter utilizzare filettature di qualsiasi altro tipo o dimensioni. Questo compromette la sicurezza dell'installazione danneggiando irreparabilmente il subwoofer.
- Per creare un assemblaggio resistente alle vibrazioni, utilizzare un composto di bloccaggio per smontaggio manuale (come Loctite® 242®).

Non sospendere il subwoofer utilizzando le maniglie.

Non sospendere ulteriori diffusori o altri componenti al subwoofer Bose AMS.

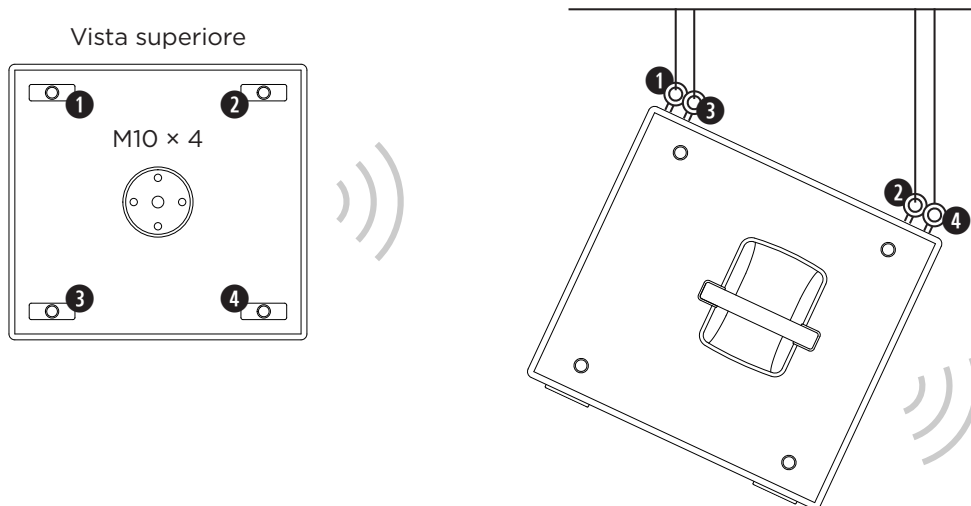
Sospensione



AVVERTENZA: prima di procedere all'installazione, l'installatore è tenuto a fare riferimento alla precedente sezione **Linee guida per l'installazione** e alla documentazione per l'utente riguardante tutti i componenti di montaggio, per garantire che il prodotto venga installato e utilizzato in condizioni di sicurezza.

Per sospendere il subwoofer al soffitto, fissare dei bulloni ad occhiello filettati M10 ai quattro punti di attacco filettati M10 sul pannello superiore o laterale del subwoofer. Utilizzare solo bulloni ad occhiello con capacità di carico certificata per il sollevamento (secondo ASME B30.26).

Se si intende utilizzare sistemi o dispositivi di sospensione progettati su misura, farne verificare la progettazione e la fabbricazione a un ingegnere professionista certificato. Acquistare tutti i componenti di sospensione presso produttori affidabili.



Preset per processori

Utilizzare esclusivamente preset per diffusori approvati da Bose Professional. I preset elencati nel presente documento sono disponibili con amplificatori PowerMatch di Bose Professional.

Per un elenco completo di prodotti che supportano i preset per diffusori Bose Professional AMM, visitare PRO.BOSE.COM.

Applicazione	Nome preset
Subwoofer	AMS115 Sub

Specifiche tecniche

Connettori	2 ingressi NL4 Neutrik®	Pin 1+: LF+ Pin 1-: LF- Pin 2+: non connesso Pin 2-: non connesso
Potenza	500 W (RMS), 2800 W (picco)	
Impedenza nominale	8 Ω	
Dimensioni (altezza x larghezza x profondità)	47 cm x 47 cm x 50,8 cm	
Peso netto	28,39 kg	

Lees alle veiligheids- en beveiligingsinstructies en de gebruiksaanwijzing door en bewaar deze.

Dit product is uitsluitend bestemd voor installatie door professionele installateurs!

Dit document is alleen bedoeld om gebruikers veiligheidsrichtlijnen en standaard installatie-instructies te bieden. Als dit product wordt bevestigd of opgehangen als onderdeel van een permanente, vaste installatie, moet alle relevante documentatie van Bose (zie **Aanvullende productdocumentatie**) en van de fabrikant van alle overige installatiecomponenten worden geraadpleegd alvorens het product te installeren.

Probeer dit product niet zelf te repareren. Neem voor alle onderhoud contact op met een geautoriseerd servicecenter, installateur, technicus, dealer of distributeur. Om contact op te nemen met Bose Professional en voor informatie over de dichtstbijzijnde dealer of distributeur, gaat u naar **PRO.BOSE.COM**.



WAARSCHUWINGEN



Dit symbool op het product betekent dat deze handleiding belangrijke bedienings- en onderhoudsinstructies bevat.



Dit product bevat magnetisch materiaal. Raadpleeg uw arts om te vragen of dit invloed kan hebben op uw geïmplanteerde medische hulpmiddel.

Alle Bose-producten moeten worden geïnstalleerd volgens de plaatselijke en landelijke voorschriften en industriënormen. Het is de verantwoordelijkheid van de installateur om ervoor te zorgen dat de installatie van de luidsprekers en het montagesysteem gebeurt met inachtneming van alle van toepassing zijnde voorschriften, waaronder plaatselijke bouwvoorschriften. Neem contact op met de juiste plaatselijke overheidsinstanties voordat u dit product installeert.

Geïnstalleerde luidsprekers dienen regelmatig te worden geïnspecteerd en onderhouden om ervoor te zorgen dat ze goed en veilig functioneren. Controleer het montage materiaal en de bevestigingen op tekenen van slijtage, gebogen delen of andere tekenen van onvolkomenheid. Vervang versleten of beschadigde onderdelen onmiddellijk.

Er mogen geen wijzigingen aan dit product worden aangebracht door onbevoegden.

Niet bevestigen aan oppervlakken die niet sterk zijn of die mogelijke risico's opleveren, bijvoorbeeld vanwege elektrische bedrading of waterleidingen. De beugel moet door een gekwalificeerde installateur worden geplaatst in overeenstemming met de lokale bouwvoorschriften.

Plaats of installeer de beugel of het product niet in de buurt van warmtebronnen, zoals open haarden, radiatoren, verwarmingsroosters of andere apparaten (waaronder versterkers) die warmte produceren.

Gebruik het NIET in voertuigen of boten.

Omwille van de ventilatievereisten raadt Bose af om het product in een besloten ruimte te plaatsen, zoals in een nis in de muur of een dichte kast.

Stel dit product NIET bloot aan druipende of spattende vloeistoffen en plaats geen met vloeistof gevulde voorwerpen, zoals vazen, op of bij het product.

Monteer het product niet op locaties waar condensatie kan optreden.

Dit product is niet bedoeld voor installatie of gebruik in overdekte ruimten voor wateractiviteiten (waaronder overdekte zwembaden, overdekte waterparken, stoomruimten, sauna's, bubbelbadruimtes en overdekte ijsbanen).

Het onveilig monteren of ophangen van een zware last kan leiden tot beschadiging van uw eigendommen, ernstig letsel en overlijden. Het is de verantwoordelijkheid van de installateur om de betrouwbaarheid te evalueren van de gebruikte montagemethode. Alleen professionele installateurs met kennis van het juiste gereedschap en veilige montagetechnieken mogen luidsprekers hoog ophangen.

Stel de luidspreker of de montageonderdelen niet bloot aan chemische substanties die niet zijn gespecificeerd door Bose, met inbegrip van, maar niet beperkt tot smeermiddelen, reinigingsmiddelen, contactsprays of oplosmiddelen op basis van koolwaterstoffen. Blootstelling aan dergelijke stoffen kan nadelige gevolgen hebben voor het kunststof materiaal, wat kan leiden tot scheuren en een risico op vallen.

Wettelijk verplichte informatie

Modelnummer: AMS115



Bose Corporation verklaart hierbij dat dit product voldoet aan de essentiële vereisten en andere relevante bepalingen van richtlijn 2014/35/EU en alle andere vereisten van de toepasselijke EU-richtlijnen. De volledige conformiteitsverklaring kunt u vinden op: www.Bose.com/compliance.



Dit symbool betekent dat het product niet mag worden weggegooid als huishoudelijk afval en naar een geschikt inzamelpunt voor recycling moet worden gebracht. Het op de juiste wijze afvoeren en recycleren helpt natuurlijke hulpbronnen, de menselijke gezondheid en het milieu te beschermen. Voor meer informatie over het afvoeren en recycleren van dit product neemt u contact op met de gemeente waar u woont, de afvalverwerkingsdienst of de winkel waar u dit product hebt gekocht.

Tabel m.b.t. de beperking van gevaarlijke stoffen in China

Namen van en gehalte aan giftige of gevaarlijke stoffen of elementen						
Giftige of gevaarlijke stoffen en elementen						
Naam onderdeel	Lood (Pb)	Kwik (Hg)	Cadmium (Cd)	Zeswaardig chroom (Cr(VI))	Polybroom-bifenyl (PBB)	Polybroomdifenylether (PBDE)
PCB's	X	0	0	0	0	0
Metalen onderdelen	X	0	0	0	0	0
Kunststof onderdelen	0	0	0	0	0	0
Luidsprekers	X	0	0	0	0	0
Kabels	X	0	0	0	0	0

Deze tabel is opgesteld in overeenstemming met de bepalingen van SJ/T 11364.

O: Geeft aan dat het gehalte aan deze giftige of gevaarlijke stof in alle homogene materialen van dit onderdeel onder de maximaal toegelaten waarden in GB/T 26572 ligt.

X: Geeft aan dat de giftige of gevaarlijke stof in minstens één van de voor dit onderdeel gebruikte homogene materialen boven de maximaal toegelaten waarden in GB/T 26572 ligt.



Tabel m.b.t. de beperking van gevaarlijke stoffen in Taiwan

Naam van het product: Professionele luidspreker Typeaanduiding: AMS115						
Stoffen waarvoor beperkingen gelden, met de bijbehorende chemische symbolen						
Onderdeel	Lood (Pb)	Kwik (Hg)	Cadmium (Cd)	Zeswaardig chroom (Cr+6)	Polybroom-bifenyl (PBB)	Polybroomdifenylethers (PBDE)
PCB's	-	o	o	o	o	o
Metalen onderdelen	-	o	o	o	o	o
Kunststof onderdelen	o	o	o	o	o	o
Luidsprekers	-	o	o	o	o	o
Kabels	-	o	o	o	o	o

Opmerking 1: 'o' geeft aan dat de procentuele inhoud van de stof waarvoor beperkingen gelden het percentage van de referentiewaarde voor aanwezigheid niet overschrijft.

Opmerking 2: '-' geeft aan dat de stof waarvoor beperkingen gelden overeenkomt met de uitzondering.

Fabricagedatum: Het achtste cijfer in het serienummer geeft het fabricagejaar aan, '0' is 2010 of 2020.

Importeur in China: Bose Electronics (Shanghai) Company Limited, Part C, Plant 9, No. 353 North Riyang Road, China (Shanghai) Pilot Free Trade Zone

Europese importeur: Bose Products B.V., Gorslaan 60, 1441 RG Purmerend, Nederland

Importeur in Mexico: Bose de México, S. de R.L. de C.V., Paseo de las Palmas 405-204, Lomas de Chapultepec, 11000 México, D.F. Bel voor informatie over services of importeurs naar +5255 (5202) 3545

Importeur in Taiwan: Bose Taiwan Branch, 9F-A1, No.10, Section 3, Minsheng East Road, Taipei City 104, Taiwan. Telefoonnummer: +886 2 25 14 76 76

Hoofdkantoor Bose Corporation: 1 877 230 5639

Bose en PowerMatch zijn handelsmerken van Bose Corporation.

Loctite en 242 zijn handelsmerken en/of geregistreerde handelsmerken van Henkel en/of diens aangesloten bedrijven in de VS en andere landen.

Neutrik is een geregistreerd handelsmerk van Neutrik AG.

Alle overige handelsmerken zijn het eigendom van hun respectieve eigenaars.

© 2020 Bose Corporation. Niets in deze uitgave mag worden gereproduceerd, gewijzigd, gedistribueerd of op andere wijze worden gebruikt zonder voorafgaande schriftelijke toestemming.

Garantie-informatie

Dit product wordt gedekt door een beperkte garantie.

Ga voor garantie-informatie naar pro.Bose.com/warranty.

Aanvullende productdocumentatie

Deze handleiding bevat alleen standaard installatie-instructies. Als dit product wordt bevestigd of opgehangen als onderdeel van een permanente, vaste installatie, moet alle relevante documentatie van Bose op de hier weergegeven webpagina worden geraadpleegd.

Voor een veilige productinstallatie is het de verantwoordelijkheid van de installateur alle relevante documentatie voor dit product en voor alle overige installatiecomponenten te raadplegen alvorens het product te installeren.

Alleen professionele installateurs met kennis van het juiste gereedschap en veilige montagetechnieken mogen luidsprekers en subwoofers hoog ophangen.

Voor aanvullende Bose-documentatie voor dit product scant u de QR-code of bezoekt u de hier weergegeven webpagina.



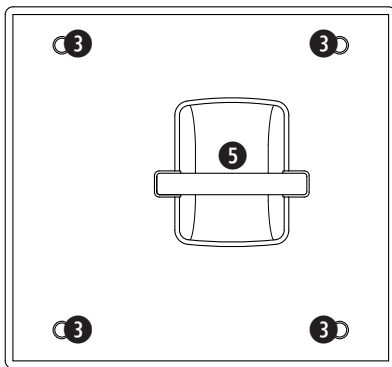
pro.bose.com/ams115

Productgegevens

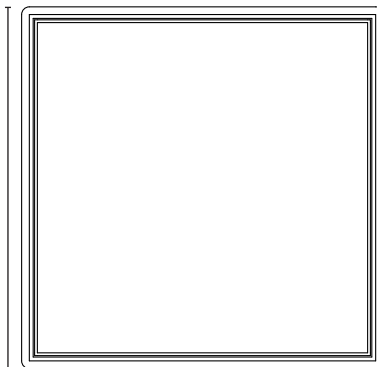
Nettogewicht: 28,39 kg

- 1 Ingangsaansluiting
- 2 M20-statiefbevestigingspunt
- 3 M10-ophangpunt
- 4 M8-bevestigingspunt zwenkwielen
- 5 Handgreep

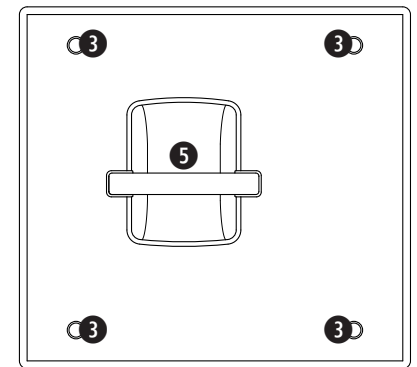
Zijaanzicht (links)



Voorbeeld



Zijaanzicht (rechts)

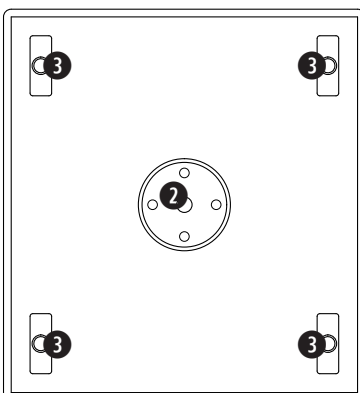


47,0 cm

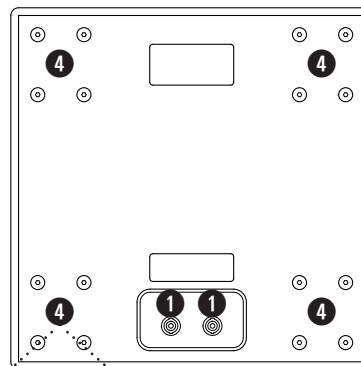
47,0 cm

50,8 cm

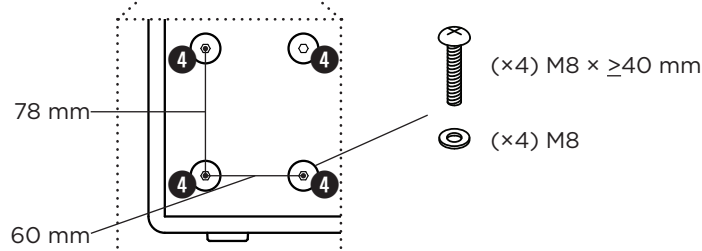
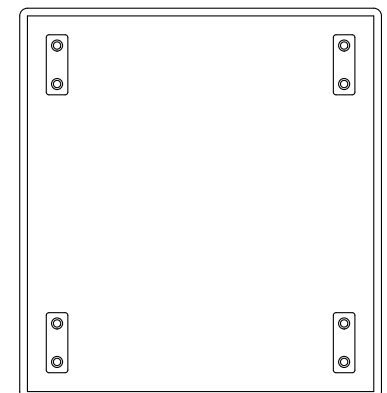
Bovenaanzicht



Achteraanzicht



Onderaanzicht



Op het podium

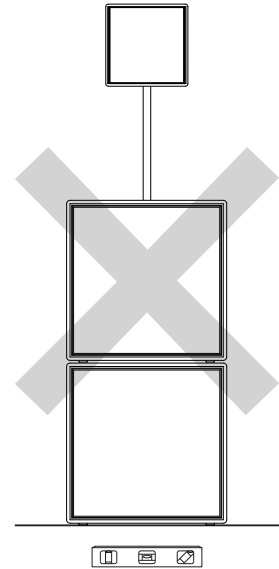
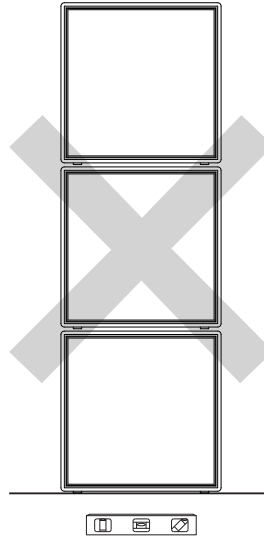
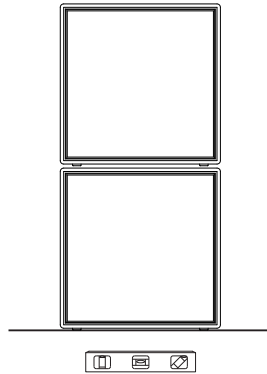
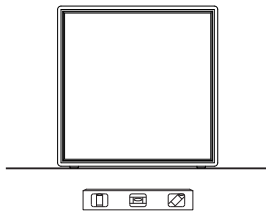
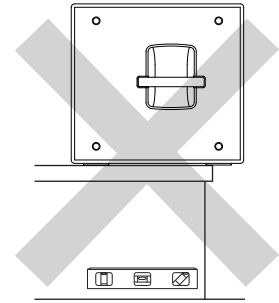
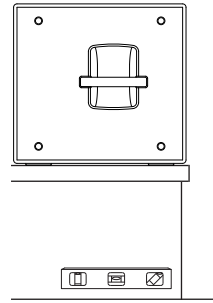


WAARSCHUWING: Controleer of het podium of de vloer stabiel en vlak zijn.

WAARSCHUWING: De subwoofer mag niet over de rand van het podium uitsteken. Zorg dat de subwoofer volledig op het podium staat.

WAARSCHUWING: Maak subwooferstacks niet hoger dan twee subwoofers.

WAARSCHUWING: Gebruik geen statief bij een subwooferstack.



Met een luidspreker

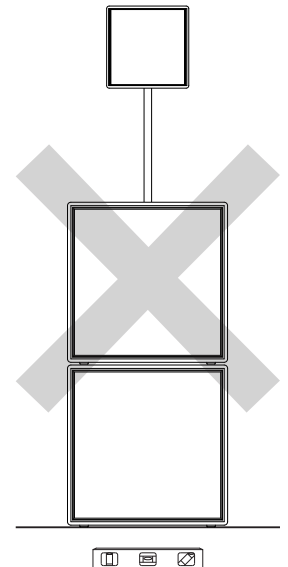
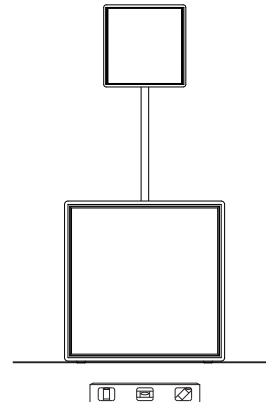
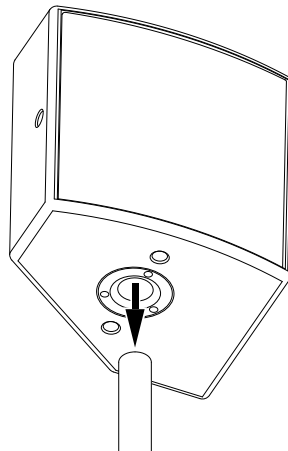
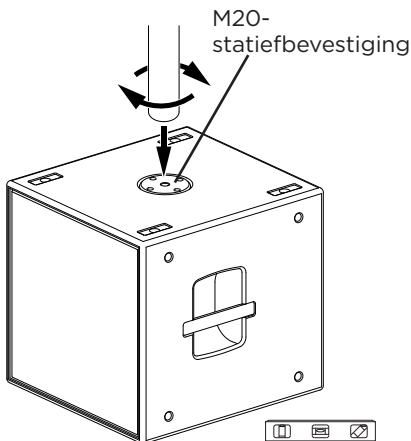


WAARSCHUWING: Zorg dat de subwoofer op een stabiel en vlak oppervlak staat.

WAARSCHUWING: Raadpleeg alle relevante documentatie voor de luidspreker en het statief alvorens deze aan de subwoofer te bevestigen. Controleer of de subwoofer het gewicht van de luidspreker en het statief kan dragen. Controleer zodra het statief op de subwoofer is geplaatst en de luidspreker is bevestigd of de constructie stabiel is en niet kan omvallen.

WAARSCHUWING: Probeer de installatie niet in zijn geheel te verplaatsen. Verwijder de luidspreker van het statief voordat u de subwoofer verplaatst.

WAARSCHUWING: Gebruik geen statief bij een subwooferstack.



Installatie (hangend)

Installatierichtlijnen

Bose AMS subwoofers zijn voorzien van inzetstukken voor ophanging volgens de in dit document beschreven methodes.

Het onveilig ophangen van een zware last kan leiden tot beschadiging van uw eigendommen, ernstig letsel en overlijden. Het is de verantwoordelijkheid van de installateur om de betrouwbaarheid te evalueren van de gebruikte ophangmethode. **Alleen professionele installateurs met kennis van het juiste gereedschap en veilige ophangtechnieken mogen luidsprekers hoog ophangen.**

Bij een op maat gemaakt ophangstelsel moet een gekwalificeerde professionele technicus het ontwerp en de gewenste bevestiging aan de structuur controleren op de structurele integriteit en veiligheid inzake de beoogde toepassing.

Gebruik bevestigingsmaterialen die aan de lokale bouwvoorschriften en vereisten voldoen met betrekking tot het gewicht van de subwoofer.

- Gebruik alleen bevestigingsmaterialen/hardware uit klasse 8.8 of hoger.
- Gebruik bij bevestigingsystemen geen ongemarkeerde schroeven, aangezien de fysieke eigenschappen hiervan niet kunnen worden vastgesteld.
- Gebruik alleen M10-schroeven voor de M10-inzetstukken op de subwoofer. Hoewel SAE 3/8"x16-schroeven gelijksoortig zijn, zijn deze niet verwisselbaar met de M10-variant.
- Draai bevestigingsmaterialen niet te vast. Hierdoor kan de kast onherstelbare schade oplopen en kan de installatie onveilig worden.
- Zorg dat de schroeven lang genoeg zijn om met ten minste 8 omwentelingen van de schroefdraad in het bevestigingspunt te kunnen worden gedraaid. Bij minder dan 8 omwentelingen is er onvoldoende ondersteuning van subwoofer, waardoor het schroefdraad kan slijten en er een onveilige installatie ontstaat.
- Pas de bevestigingspunten niet aan en tap hierin geen nieuw schroefdraad voor een andere maat of ander type schroef. De veiligheid van de installatie komt hierdoor in het geding en de subwoofer raakt permanent beschadigd.
- Gebruik bij een vibratiebestendige installatie een borgmiddel voor handmatige demontage (zoals Loctite® 242®).

Gebruik de handgrepen van de subwoofer niet om de subwoofer op te hangen.

Hang geen extra luidsprekers of andere items aan de Bose AMS subwoofer.

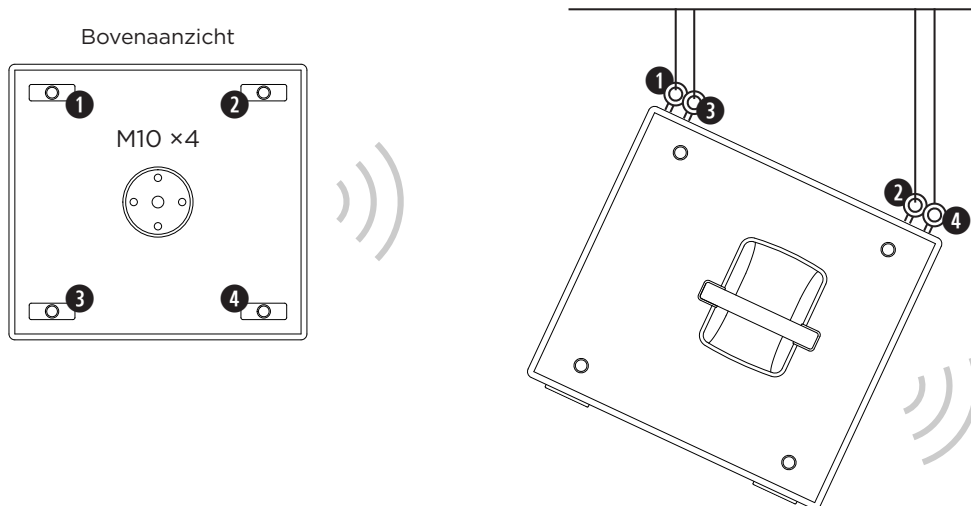
Ophanging



WAARSCHUWING: Voor een veilige productinstallatie en veilig gebruik is het de verantwoordelijkheid van de installateur om de voorgaande sectie **Installatierichtlijnen** en de gebruikersdocumentatie van alle bevestigingscomponenten te raadplegen alvorens het product te installeren.

Om de subwoofer aan het plafond op te hangen, bevestigt u M10-oogschroeven aan de vier M10-bevestigingspunten op het boven- of zijpaneel van de subwoofer. Gebruik alleen oogschroeven met een aangegeven belastbaarheid voor ophanging (volgens ASME B30.26).

Bij een op maat gemaakt ophangstelsel moet een gekwalificeerde professionele technicus het ontwerp en de componenten controleren. Koop alleen componenten voor ophangsystemen van gerenommeerde fabrikanten.



Processorpresets

Gebruik alleen door Bose Professional goedgekeurde luidsprekerpresets. De hier vermelde presets zijn beschikbaar bij het gebruik van Bose Professional PowerMatch amplifiers.

Ga voor een complete lijst met producten die Bose Professional AMM-luidsprekerpresets ondersteunen naar PRO.BOSE.COM.

Toepassing	Naam preset
Subwoofer	AMS115 Sub

Technische specificaties

Connectors	2 × Neutrik® NL4-ingangen	Pin 1+: LF+ Pin 1-: LF- Pin 2+: Niet aangesloten Pin 2-: Niet aangesloten
Belastbaarheid	500 W (RMS), 2800 W (piek)	
Nominale impedantie	8 Ω	
Afmetingen (hoogte x breedte x diepte)	47,0 × 47,0 × 50,8 cm	
Nettogewicht	28,39 kg	

Les og ta vare på alle sikkerhets- og bruksinstruksjoner.

Dette produktet skal bare monteres av profesjonelle montører!

Dette dokumentet er bare ment å gi brukere retningslinjer for sikkerhet og grunnleggende informasjon om oppsett. Hvis dette produktet skal monteres eller henges opp i en permanent, fast installasjon, må du lese gjennom all relevant dokumentasjon fra Bose (se **Mer produktdokumentasjon**) og fra produsenten av alle andre monteringskomponenter før du monterer produktet.

Ikke prøv å utføre vedlikehold på dette produktet selv. Henvis alt vedlikehold til autoriserte servicesentre, montører, teknikere, forhandlere eller distributører. Hvis du vil kontakte Bose Professional eller finne en forhandler eller distributør i nærheten, går du til **PRO.BOSE.COM**.



ADVARSLER/FORHOLDSREGLER



Dette symbolet på produktet betyr at det er viktige drifts- og vedlikeholdsinstruksjoner i denne veiledningen.



Dette produktet inneholder magnetisk materiale. Kontakt en lege hvis du vil finne ut om dette kan påvirke implantert medisinsk utstyr.

Alle Bose-produkter må monteres i henhold til bransjeforskrifter og lokale og nasjonale forskrifter. Det er montørens ansvar å sikre at monteringen av høyttalerne og monteringsystemet utføres i henhold til alle gjeldende forskrifter, inkludert lokale byggeforskrifter og bestemmelser. Kontakt de lokale myndighetene som har domsmyndighet før du monterer dette produktet.

Monterte høyttalere krever regelmessig inspeksjon og rutinemessig vedlikehold for å sikre riktig funksjon og sikker drift. Kontroller monteringsutstyret og festene for tegn til korrosjon, slitasje eller andre forhold som kan redusere den strukturelle styrken. Skift slitte eller skadde komponenter umiddelbart.

Ikke foreta uautoriserte endringer på dette produktet.

Må ikke monteres på overflater som ikke er solide, eller som har skjulte faremomenter bak seg, for eksempel elektriske kabler eller rør. Sørg for at braketten er montert av en kvalifisert montør og i henhold til lokale retningslinjer.

Ikke plasser eller monter braketten eller produktet i nærheten av varmekilder, for eksempel ildsteder, radiatorer, varmeapparater, ovner eller andre apparater (herunder forsterkere) som produserer varme.

IKKE bruk i kjøretøy eller båter.

På grunn av kravene til ventilasjon anbefaler Bose at apparatet ikke plasseres på et trangt sted, som i et hulrom i veggen eller i et lukket skap.

IKKE utsett produktet for drypp eller sprut, og plasser ikke gjenstander som er fylt med væske, for eksempel vaser, på eller i nærheten av produktet.

Produktet må ikke monteres på steder hvor det kan oppstå kondens.

Dette produktet er ikke ment for montering eller bruk i innendørs vannlegg (inkludert, men ikke begrenset til, innendørs basseng, innendørs badeland, rom med badestamp, badstuer, damprom og innendørs skøytebaner).

Utrygg montering eller opphenging av tunge gjenstander kan forårsake alvorlig skade eller død, samt skade på eiendom. Det er montørens ansvar å vurdere sikkerheten til alle monteringsmetodene som brukes. Takmonterte høyttalere skal bare monteres av profesjonelle montører med kunnskap om det riktige utstyret og trygge monteringsmetoder.

Ikke eksponer høyttaleren eller monteringskomponentene for kjemikalier som ikke er spesifisert av Bose, inkludert, men ikke begrenset til, smøremidler, rengjøringsmidler, kontaktsprayer eller andre hydrokarbonbaserte oppløsningsmidler. Slike midler kan forårsake at plastmaterialet brytes ned, som igjen kan forårsake sprekker og at høyttaleren faller ned.

Informasjon om forskrifter

Modellnummer: AMS115



Bose Corporation kunngjør herved at dette produktet er i samsvar med de essensielle kravene og andre relevante bestemmelser fra 2014/35/EU-direktivet og alle andre gjeldende EU-direktivkrav. Du finner den fullstendige samsvarserklæringen på: www.bose.com/compliance.




Dette symbolet betyr at produktet ikke må kasseres som husholdningsavfall, og at det skal leveres til et passende innsamlingsanlegg for gjenvinning. Riktig avfallshåndtering og resirkulering bidrar til å beskytte naturressurser, menneskers helse og miljøet. Hvis du vil ha mer informasjon om avfallshåndtering og resirkulering av dette produktet, kontakter du de lokale myndighetene, avfallsorganisasjonen eller butikken hvor du kjøpte dette produktet.

Tabell over begrensning av farlige stoffer for Kina

Navn på og innhold i giftige eller skadelige stoffer eller bestanddeler						
Giftige eller farlige stoffer og elementer						
Delenavn	Bly (Pb)	Kvikksølv (Hg)	Kadmium (Cd)	Heksavalent (Cr(VI))	Polybromert bifenyl (PBB)	Polybromert difenyleter (PBDE)
PCB-er	X	0	0	0	0	0
Metaldeler	X	0	0	0	0	0
Plastdeler	0	0	0	0	0	0
Høyttalere	X	0	0	0	0	0
Kabler	X	0	0	0	0	0

Denne tabellen er utarbeidet i henhold til kravene i SJ/T 11364.
 O: Angir at dette giftige eller farlige stoffet som finnes i alle de homogene materialene i denne delen, er under grensekravene i GB/T 26572.
 X: Angir at dette giftige eller farlige stoffet som finnes i minst ett av de homogene materialene i denne delen, er over grensekravene i GB/T 26572.



Tabell over begrensning av farlige stoffer for Taiwan

Utstyrnavn: Profesjonell høyttaler Typebetegnelse: AMS115						
Begrensede stoffer og kjemiske symboler						
Enhet	Bly (Pb)	Kvikksølv (Hg)	Kadmium (Cd)	Heksavalent krom (Cr+6)	Polybromerte bifenyl (PBB)	Polybromerte difenyletere (PBDE)
PCB-er	-	o	o	o	o	o
Metaldeler	-	o	o	o	o	o
Plastdeler	o	o	o	o	o	o
Høyttalere	-	o	o	o	o	o
Kabler	-	o	o	o	o	o

Merknad 1: «o» angir at den prosentvise innholdsandelen av det begrensede stoffet ikke overskrider prosentdelen av referanseverdien for tilstedeværelse.
Merknad 2: «-» angir at det begrensede stoffet samsvarer med unntaket.

Produksjonsdato: Det åttende tallet i serienummeret viser produksjonsåret: 0 er 2010 eller 2020.

Importør for Kina: Bose Electronics (Shanghai) Company Limited, Part C, Plant 9, No. 353 North Riyang Road, Kina (Shanghai) Pilot Free Trade Zone

Importør i EU: Bose Products B.V., Gorslaan 60, 1441 RG Purmerend, Nederland

Importør i Mexico: Bose de México, S. de R.L. de C.V., Paseo de las Palmas 405-204, Lomas de Chapultepec, 11000 México, D.F. For service- eller importørinformasjon kan du ringe +5255 (5202) 3545

Importør for Taiwan: Bose Taiwan Branch, 9F-A1, No. 10, Section 3, Minsheng East Road, Taipei City 104, Taiwan. Telefonnummer: +886-2-2514 7676

Hovedkontoret til Bose Corporation: 1-877-230-5639

Bose og PowerMatch er varemerker som tilhører Bose Corporation.

Loctite og 242 er varemerker og/eller registrerte varemerker for Henkel og/eller tilknyttede selskaper i USA og andre steder.

Neutrik er et registrert varemerke som tilhører Neutrik AG.

Alle andre varemerker tilhører sine respektive eiere.

© 2020 Bose Corporation. Ingen del av dette arbeidet kan bli reproduisert, endret, distribuert eller på annen måte brukt uten skriftlig tillatelse på forhånd.

Garantiinformasjon

Dette produktet er dekket av en begrenset garanti. Gå til pro.bose.com/warranty for garantidetaljer.

Mer produktdokumentasjon

Denne veiledningen inneholder bare grunnleggende informasjon om oppsett. Hvis dette produktet skal monteres eller henges opp i en permanent, fast installasjon, må du se gjennom all relevant dokumentasjon fra Bose på nettstedet som vises her.

For å sikre trygg montering av produktet er det montørens ansvar å lese all relevant dokumentasjon for dette produktet og alle andre monteringskomponenter, før produktet monteres.

Takmonterte høyttalere og subwoofere skal bare monteres av profesjonelle montører med kunnskap om riktige utstyr og trygge monterings teknikker.

Hvis du vil ha tilgang til ytterligere Bose-dokumentasjon for dette produktet, kan du skanne QR-koden eller gå til nettstedet som vises her.



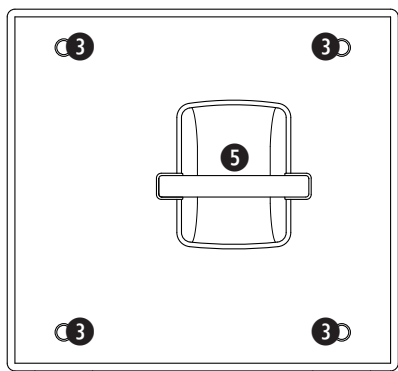
pro.bose.com/ams115

Produktopplysninger

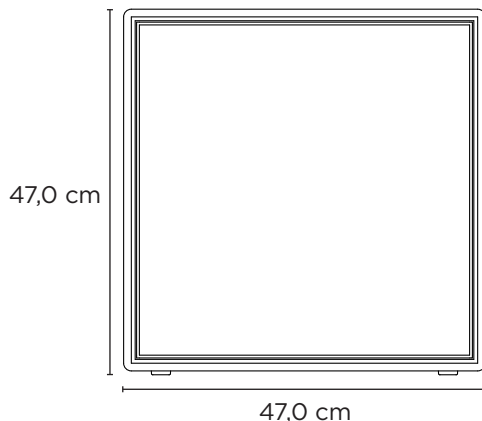
Nettovekt: 28,39 kg

- ❶ Inngangskobling
- ❷ Festepunkt for M20-stang
- ❸ M10-opphengspunkt
- ❹ Festepunkt for M8-trinse
- ❺ Håndtak

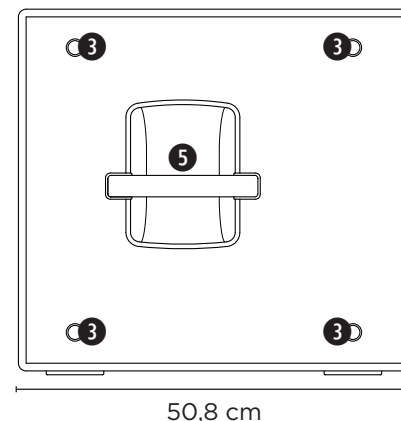
Sett fra siden (venstre)



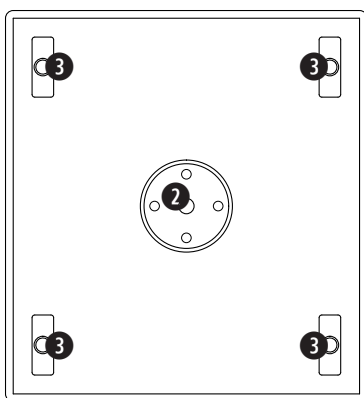
Sett forfra



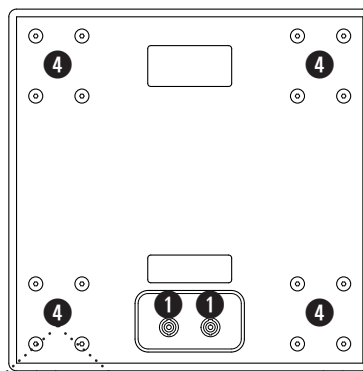
Sett fra siden (høyre)



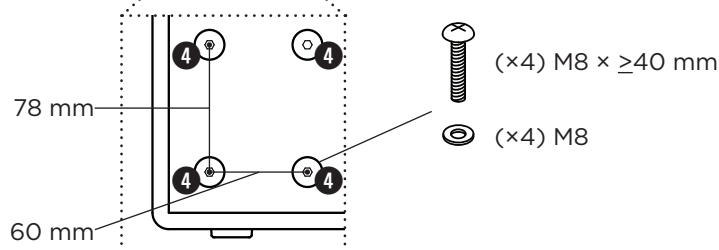
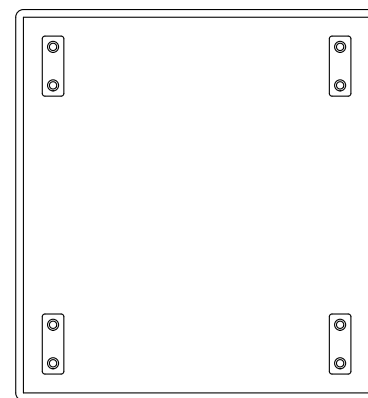
Sett ovenfra



Sett bakfra



Sett nedenfra



Scenevinkling

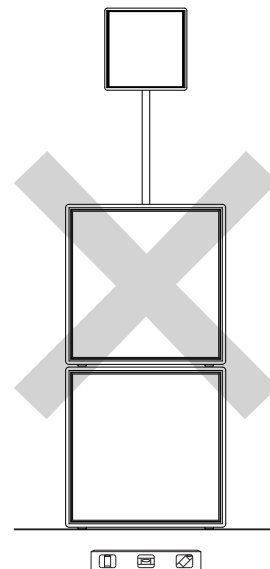
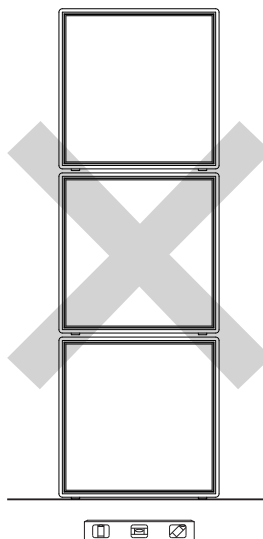
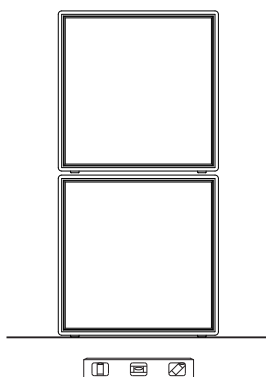
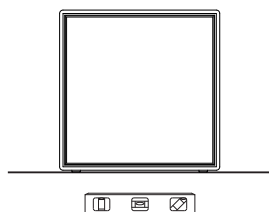
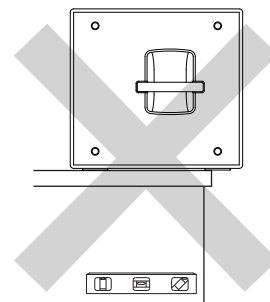
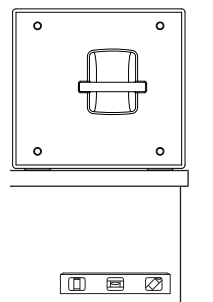


ADVARSEL: Kontroller at scenen eller gulvet er stabilt og plant.

ADVARSEL: Ikke la subwooferen stikke ut over kanten på en scene. Kontroller at hele subwooferen står på scenen.

ADVARSEL: Ikke lag en stabel med mer enn to subwoofere.

ADVARSEL: Ikke bruk et stangfeste med en stabel med subwoofere.



Med en høyttaler

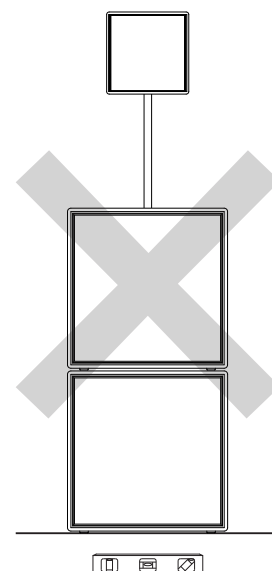
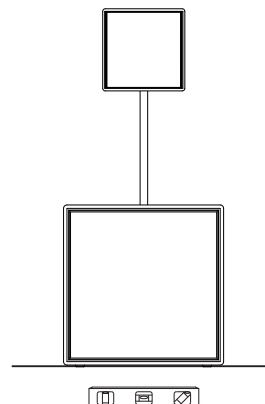
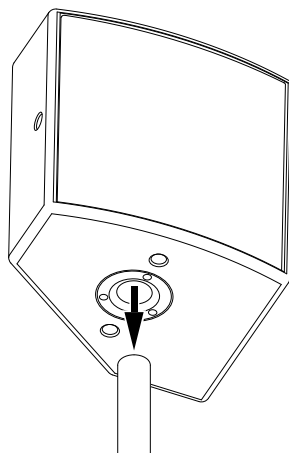
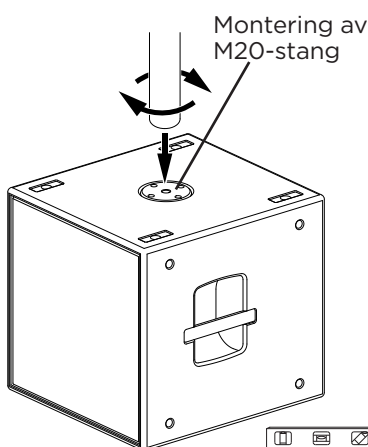


ADVARSEL: Kontroller at subwooferen er plassert på en stabil, plan overflate.

ADVARSEL: Se all relevant dokumentasjon for høyttaleren og stangen før du fester dem til subwooferen. Pass på at subwooferen tåler vekten av høyttaleren og stangen. Når subwooferen, stangen og høyttaleren er festet, må du sørge for at hele enheten er stabil og ikke kan falle.

ADVARSEL: Ikke prøv å flytte hele enheten. Fjern høyttaleren fra stangen før du flytter subwooferen.

ADVARSEL: Ikke bruk et stangfeste med en stabel med subwoofere.



Montering (oppheng)

Retningslinjer for montering

Bose AMS-subwoofere har gjengede innsatser som passer til opphengsmetodene som er beskrevet i dette dokumentet.

Utrygg opphenging av tunge gjenstander kan forårsake alvorlig skade eller død, samt skade på eiendom. Det er montørens ansvar å vurdere påliteligheten til alle opphengsmetodene som brukes. **Takmonterte høyttalere eller subwoofere skal bare monteres av profesjonelle montører med kunnskap om riktig utstyr og trygge monterings teknikker.**

Hvis du bruker et spesialtilpasset opphengssystem, må du få en autorisert profesjonell tekniker til å gjennomgå utformingen og den planlagte festemetoden for bygningsstrukturen for strukturell integritet og sikkerhet i det tiltenkte bruksområdet.

Velg festelementer som er i samsvar med alle lokale byggeforskrifter og krav for å støtte subwoofere vekt.

- Bruk bare festeanordninger av klasse 8.8 eller høyere.
- Ikke bruk umerkede festeanordninger for monteringsystemet siden det ikke er mulig å fastslå hvor mye de tåler.
- Bruk bare M10-fester for M10-gjengede innlegg på subwooferen. Selv om SAE 3/8"-16-festene er like, kan de ikke brukes med M10-fester.
- Ikke stram til festene for mye. Dette kan føre til uopprettelig skade på kabinettet og gi en utrygg montering.
- Sørg for at festeanordningene er lange nok til at det kan skrus åtte gjenger inn i festepunktet. Hvis du bruker et feste med færre enn åtte gjenger, vil det føre til utilstrekkelig støtte for subwooferen, noe som kan gi en utrygg montering.
- Ikke endre eller skru de gjengede festepunktene på nytt med andre typer eller størrelser. Hvis du gjør det, kan det gå på bekostning av sikkerheten til monteringen og skade subwooferen permanent.
- For å få en montering som tåler vibrasjoner, må du bruke en låsekomponent som kan demonteres for hånd (for eksempel Loctite® 242®).

Ikke heng opp subwooferen i subwoofershåndtakene.

Ikke heng andre høyttalere eller andre gjenstander fra Bose AMS-subwooferen.

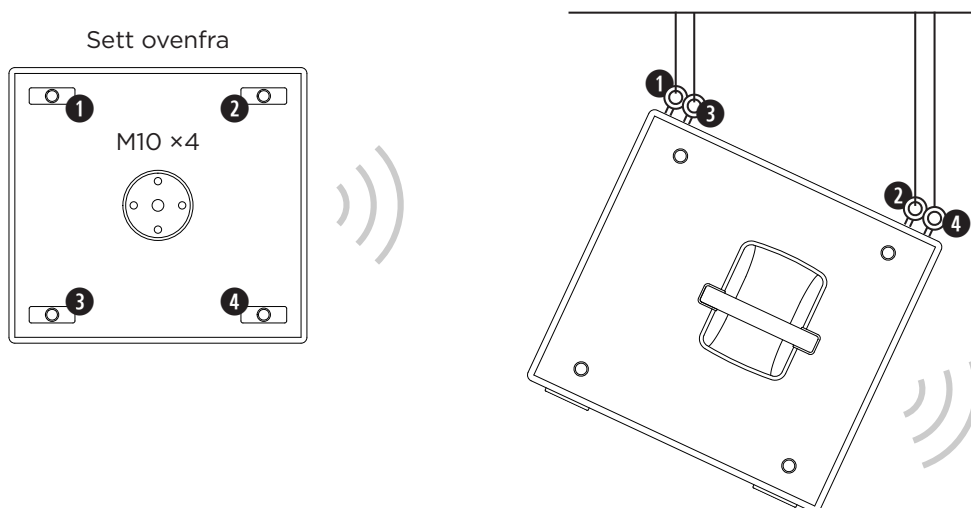
Oppheng



ADVARSEL: For å sikre trygg montering og bruk av produktet er det montørens ansvar å lese den tidligere delen **installeringsinstruksjoner** og brukerdokumentasjonen for alle monteringsdelene før produktet monteres.

Du kan henge subwooferen i taket ved å feste M10-gjengede øyebolter til de fire M10-gjengede festepunktene på topp- eller sidepanelet til subwooferen. Bruk kun belastningsgodkjente øyebolter beregnet for løfting (per ASME B3026).

Hvis du bruker et spesialtilpasset opphengssystem, må en autorisert profesjonell tekniker gjennomgå utformingen. Skaff deg alle delene i opphengssystemet fra anerkjente produsenter.



Forhåndsinnstillinger for prosessor

Bruk bare godkjente forhåndsinnstillinger for profesjonelle høyttalere fra Bose. Forhåndsinnstillingene som er oppført her, er tilgjengelige når du bruker Bose Professional PowerMatch-forsterkere.

Hvis du vil ha en fullstendig liste over produkter som støtter forhåndsinnstillinger for Bose Professional AMM-høyttalere, kan du gå til PRO.BOSE.COM.

Bruksområde	Navn på forhåndsinnstilling
Subwoofer	AMS115 Sub

Tekniske spesifikasjoner

Kontakter	2 × Neutrik® NL4-innganger	Pinne 1+: LF+ Pinne 1-: LF- Pinne 2+: Ikke tilkoblet Pinne 2-: Ikke tilkoblet
Effekthåndtering	500 W (RMS), 2800 W (topp)	
Nominell impedans	8 Ω	
Mål (høyde × bredde × dybde)	47,0 cm × 47,0 cm × 50,8 cm	
Nettvekt	28,39 kg	

Należy przeczytać i zachować wszystkie zalecenia dotyczące bezpieczeństwa, zabezpieczeń i korzystania z tego produktu.

Instalację niniejszego produktu może przeprowadzić wyłącznie specjalista!

W tym dokumencie zawarte są jedynie informacje dotyczące bezpieczeństwa i podstawowe instrukcje montażu dla użytkownika. Jeśli produkt będzie podwieszony lub zawieszony na stałej instalacji, przed montażem należy zapoznać się ze wszystkimi stosownymi dokumentami udostępnianymi przez firmę Bose (patrz **Dodatkowa dokumentacja dotycząca produktu**) oraz producentów pozostałych elementów instalacji.

Nie wolno serwisować urządzenia samodzielnie. Wszystkie czynności serwisowe muszą być wykonywane przez pracowników autoryzowanych centrów serwisowych, autoryzowanych instalatorów, techników, sprzedawców lub dystrybutorów. Aby skontaktować się z firmą Bose Professional, ze sprzedawcą bądź dystrybutorem w okolicy, odwiedź stronę PRO.BOSE.COM.

OSTRZEŻENIA/PRZESTROGI



Ten symbol umieszczony na produkcie oznacza, że w podręczniku znajdują się ważne instrukcje dotyczące obsługi i konserwacji.



Produkt zawiera elementy magnetyczne. Aby dowiedzieć się, czy mogą one mieć wpływ na funkcjonowanie implantów medycznych, należy skonsultować się z lekarzem.

Wszystkie produkty Bose muszą być instalowane zgodnie z przepisami lokalnymi, krajowymi, federalnymi i branżowymi. Instalator jest zobowiązany zainstalować głośniki i system montażowy zgodnie ze wszystkimi obowiązującymi regulaminami, w tym regulaminami i przepisami obowiązującymi w budynku. Przed instalacją produktu należy skonsultować się z odpowiednimi władzami.

Zamontowane głośniki wymagają przeprowadzania regularnych inspekcji i rutynowej konserwacji w celu zapewnienia właściwego i bezpiecznego działania. Elementy montażowe należy sprawdzać pod kątem występowania korozji, zgięć lub innych czynników, które mogą osłabiać integralność strukturalną instalacji. Zużyte lub uszkodzone elementy należy natychmiast wymienić.

Nie wolno dokonywać modyfikacji produktu bez zezwolenia.

Nie montować uchwytu na powierzchniach niewystarczająco solidnych lub stwarzających zagrożenia związane na przykład z instalacją elektryczną lub hydrauliczną. Wspornik powinien zamontować wykwalifikowany instalator z zachowaniem lokalnych przepisów budowlanych.

Wspornika ani produktu nie wolno umieszczać w pobliżu źródeł ciepła, takich jak kominki, grzejniki, kaloryfery lub inne urządzenia wytwarzające ciepło (w tym wzmocniacze).

NIE WOLNO używać produktu w pojazdach ani na jednostkach pływających.

Ze względu na wymagania dotyczące wentylacji firma Bose nie zaleca umieszczania tego produktu w przestrzeniach zamkniętych, takich jak wnęki ścienne lub szafki wnękowe.

NIE WOLNO narażać produktu na zachłapanie i rozbrzygnięcie ani umieszczać w jego pobliżu naczyń wypełnionych cieczami (np. wazonów).

Nie wolno montować produktu w pomieszczeniach, w których może występować skraplanie pary wodnej.

Niniejszy produkt nie jest przeznaczony do instalacji ani stosowania w pomieszczeniach mających stały kontakt z wodą (w tym m.in. basenach wewnętrznych, parkach wodnych, pomieszczeniach z jacuzzi, saunach, łaźniach parowych i lodowiskach).

Niebezpieczny montaż lub podwieszenie ciężkiego ładunku może spowodować poważne obrażenia lub śmierć oraz uszkodzenie mienia. Do obowiązków instalatora należy ocena niezawodności każdej metody montażu stosowanej w tym przypadku. Montaż podwieszanych głośników może być przeprowadzany wyłącznie przez profesjonalnych instalatorów posiadających wiedzę o odpowiednim sprzęcie i bezpiecznych technikach montażu.

Nie wolno narażać głośnika lub elementów montażowych na działanie substancji chemicznych, które nie zostały dozwolone przez firmę Bose, w tym m.in. środków smarnych i czyszczących, środków do ochrony instalacji elektrycznych oraz rozpuszczalników na bazie węglowodorów. Narażenie na działanie takich substancji może prowadzić do degradacji materiałów plastikowych, a w rezultacie do pęknięcia i stworzenia zagrożenia upadkiem.

Informacje prawne

Numer modelu: AMS115



Firma Bose Corporation niniejszym deklaruje, że ten produkt jest zgodny z podstawowymi wymaganiami i zaleceniami określonymi w dyrektywie 2014/35/UE oraz innych obowiązujących dyrektywach UE. Pełna treść Deklaracji zgodności jest dostępna w witrynie: www.Bose.com/compliance.



Ten symbol oznacza, że produktu nie należy wyrzucać razem z innymi odpadkami z gospodarstwa domowego. Produkt należy dostarczyć do odpowiedniego miejsca zbiórki w celu recyklingu. Właściwy sposób utylizacji i recyklingu pomaga chronić zasoby naturalne, ludzkie zdrowie i środowisko naturalne. Aby uzyskać więcej informacji na temat utylizacji i recyklingu tego produktu, skontaktuj się z samorządem lokalnym, w zakładzie utylizacji odpadów albo w sklepie, w którym produkt został nabyty.

Tabela substancji szkodliwych (ograniczenia obowiązujące w Chinach)

Nazwy i zawartość toksycznych lub szkodliwych substancji albo pierwiastków						
Toksyczne lub szkodliwe substancje albo pierwiastki						
Nazwa części	Ołów (Pb)	Rtęć (Hg)	Kadm (Cd)	Chrom sześciowartościowy (Cr(VI))	Polibromowany bifenyl (PBB)	Polibromowany difenylester (PBDE)
Polichlorowane bifenyle (PCB)	X	0	0	0	0	0
Części metalowe	X	0	0	0	0	0
Części z tworzyw sztucznych	0	0	0	0	0	0
Głośniki	X	0	0	0	0	0
Przewody	X	0	0	0	0	0

Tę tabelę przygotowano zgodnie z wymaganiami normy SJ/T 11364.
 O: oznacza, że zawartość danej substancji toksycznej lub szkodliwej we wszystkich materiałach jednorodnych, użytych w tej części, nie przekracza limitu określonego w normie GB/T 26572.
 X: oznacza, że dana substancja toksyczna lub szkodliwa zawarta w co najmniej jednym z jednorodnych materiałów użytych w tej części przekracza limit określony w normie GB/T 26572.



Tabela substancji szkodliwych (ograniczenia obowiązujące na Tajwanie)

Nazwa urządzenia: Głośnik profesjonalny Oznaczenie typu: AMS115						
Substancje objęte ograniczeniami wraz z symbolami chemicznymi						
Jednostka	Ołów (Pb)	Rtęć (Hg)	Kadm (Cd)	Chrom sześciowartościowy (Cr+6)	Polibromowany bifenyl (PBB)	Polibromowany difenylester (PBDE)
Polichlorowane bifenyle (PCB)	-	o	o	o	o	o
Części metalowe	-	o	o	o	o	o
Części z tworzyw sztucznych	o	o	o	o	o	o
Głośniki	-	o	o	o	o	o
Przewody	-	o	o	o	o	o

Uwaga 1: symbol „o” oznacza, że zawartość procentowa substancji objętej ograniczeniem nie przekracza wartości referencyjnej.
Uwaga 2: symbol „-” oznacza, że do substancji objętej ograniczeniem zastosowanie ma wyłączenie.

Data produkcji: ośma cyfra numeru seryjnego oznacza rok produkcji, np. cyfra „0” oznacza rok 2010 lub 2020.

Importer — Chiny: Bose Electronics (Shanghai) Company Limited, Part C, Plant 9, No. 353 North Riving Road, China (Shanghai) Pilot Free Trade Zone

Importer — UE: Bose Products B.V., Gorslaan 60, 1441 RG Purmerend, Holandia

Importer — Meksyk: Bose de México, S. de R.L. de C.V., Paseo de las Palmas 405-204, Lomas de Chapultepec, 11000 México, D.F. Aby uzyskać informacje o usługach lub importerze, zadzwoń pod numer +5255 (5202) 3545

Importer — Tajwan: Bose Taiwan Branch, 9F-A1, No.10, Section 3, Minsheng East Road, Taipei City 104, Tajwan. Numer telefonu: +886-2-2514 7676

Siedziba główna firmy Bose Corporation: 1-877-230-5639

Bose i PowerMatch są znakami towarowymi firmy Bose Corporation.

Loctite i 242 są znakami towarowymi i/lub zarejestrowanymi znakami towarowymi firmy Henkel i/lub jej oddziałów w Stanach Zjednoczonych oraz innych krajach.

Neutrik jest zastrzeżonym znakiem towarowym firmy Neutrik AG.

Inne znaki towarowe są własnością odpowiednich właścicieli.

© 2020 Bose Corporation. Żadnej części tego dzieła nie wolno reprodukować, modyfikować, rozpowszechniać ani w inny sposób wykorzystywać bez uprzedniego uzyskania pisemnego pozwolenia.

Informacje o gwarancji

Opisywany produkt objęty jest ograniczoną gwarancją.

Więcej informacji o gwarancji można znaleźć na stronie pro.Bose.com/warranty.

Dodatkowa dokumentacja dotycząca produktu

W tym poradniku znajdują się tylko podstawowe informacje. Jeśli produkt będzie podwieszony lub zawieszony na stałej instalacji, należy zapoznać się ze wszystkimi stosownymi dokumentami firmy Bose zamieszczonymi na tej stronie.

W celu zapewnienia bezpiecznej instalacji produktu obowiązkiem instalatora jest zapoznanie się ze wszystkimi stosownymi dokumentami dla tego produktu oraz wszystkich elementów wchodzących w skład instalacji przed rozpoczęciem procedury montażu.

Montaż podwieszanych głośników lub subwooferów może być przeprowadzany wyłącznie przez profesjonalnych instalatorów posiadających wiedzę o odpowiednim sprzęcie i bezpiecznych technikach montażu.

Aby uzyskać dostęp do dokumentacji dla tego produktu, zeskanuj kod QR lub odwiedź poniższą witrynę.



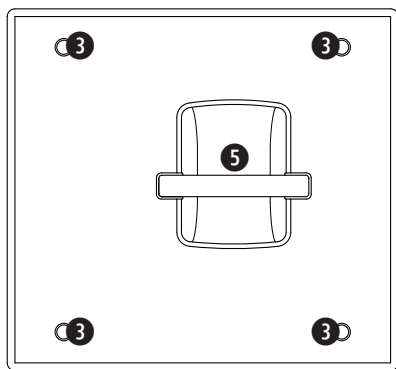
pro.bose.com/ams115

Informacje o produkcie

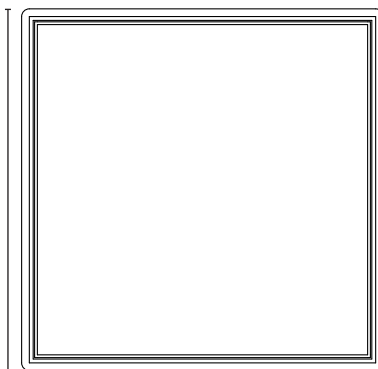
Waga netto: 28,39 kg (62,6 lb)

- ❶ Złącze wejścia
- ❷ Otwór M20 do montowania statywu
- ❸ Otwór M10 do przytwierdzenia linki podwieszającej
- ❹ Otwór M8 do montowania kółek
- ❺ Uchwyt

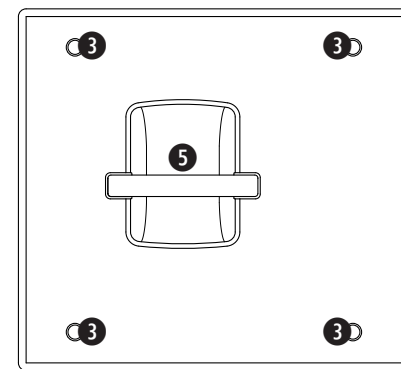
Widok z boku (lewy bok)



Widok z przodu



Widok z boku (prawy bok)

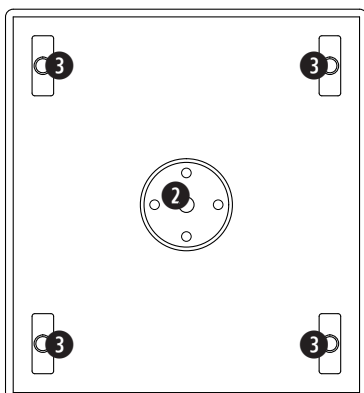


47 cm
(18,5 cala)

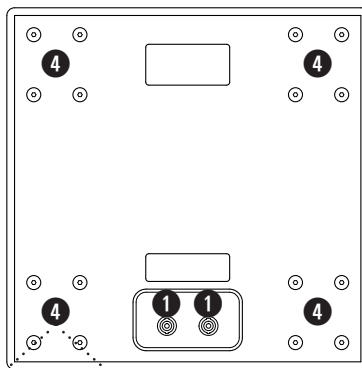
47 cm (18,5 cala)

50,8 cm (20 cali)

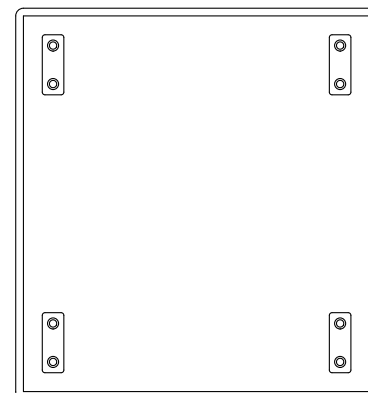
Widok z góry



Widok z tyłu



Widok z dołu



78 mm (3,1 cala)

60 mm (2,4 cala)



(x4) M8 x ≥ 40 mm



(x4) M8

Konfiguracja sceny

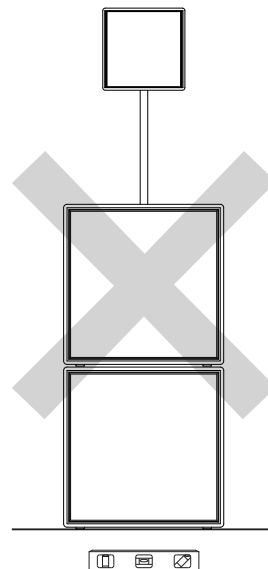
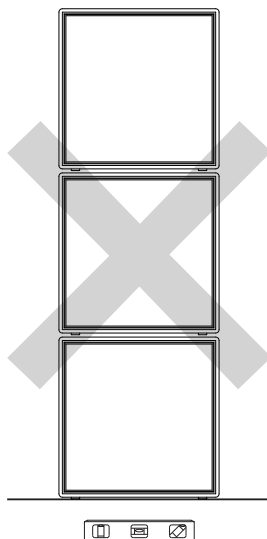
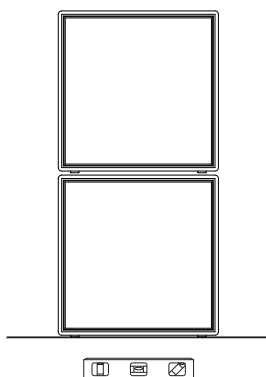
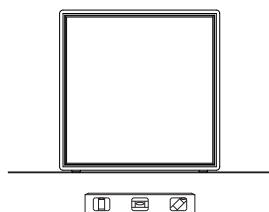
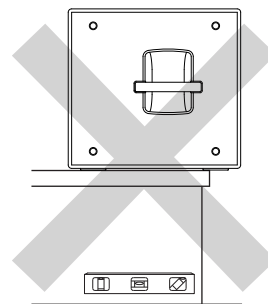
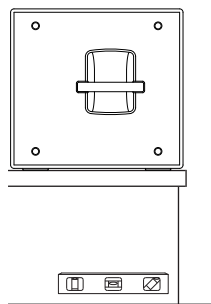


OSTRZEŻENIE! Należy upewnić się, że scena lub podłoga jest stabilna.

OSTRZEŻENIE! Subwoofer nie może wystawać poza krawędź sceny. Należy upewnić się, że subwoofer znajduje się w całości na podłożu sceny.

OSTRZEŻENIE! Nie wolno tworzyć wież składających się z więcej niż dwóch subwooferów.

OSTRZEŻENIE! Nie wolno używać statywu na wieży subwooferów.



Z głośnikiem

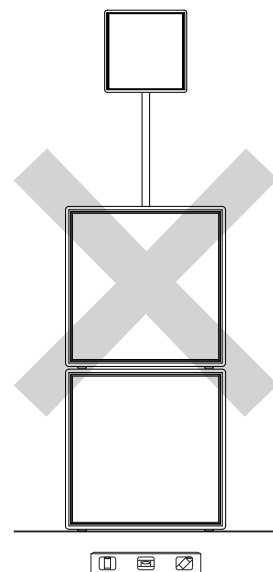
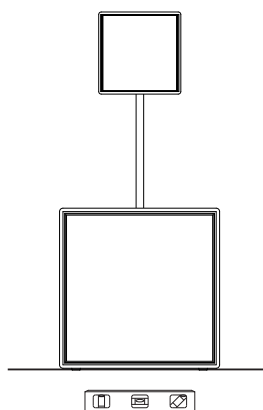
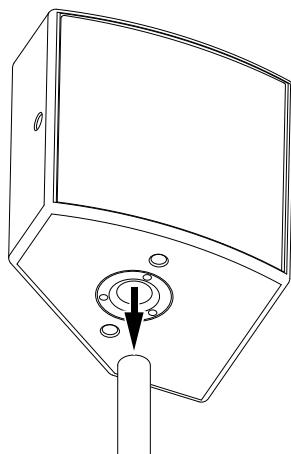
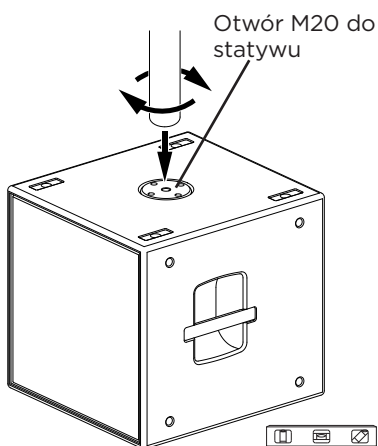


OSTRZEŻENIE! Należy upewnić się, że subwoofer jest ustawiony na stabilnym i poziomym podłożu.

OSTRZEŻENIE! Należy zapoznać się ze wszystkimi dokumentami dotyczącymi głośnika i statywu przed zamontowaniem ich na subwooferze. Należy upewnić się, że subwoofer utrzyma wagę głośnika i statywu. Po złożeniu konstrukcji subwoofera, statywu i głośnika należy upewnić się, że jest ona stabilna i nie zagraża jej przewrócenie.

OSTRZEŻENIE! Nie należy próbować przenosić całej złożonej konstrukcji. Zanim zaczniesz przenosić subwoofer, zdejmij głośnik ze statywu.

OSTRZEŻENIE! Nie wolno używać statywu na wieży subwooferów.



Montaż (podwieszenie)

Instrukcje dotyczące montażu

Subwoofery Bose AMS mają gwintowane otwory służące do ich podwieszania metodami opisanymi w tym dokumencie.

Niebezpieczne podwieszenie ciężkiego ładunku może spowodować poważne obrażenia lub śmierć oraz uszkodzenie mienia. Do obowiązków instalatora należy ocena niezawodności każdej metody podwieszania stosowanej w danym przypadku.

Podwieszanie głośników lub subwooferów może być przeprowadzane wyłącznie przez profesjonalnych instalatorów posiadających wiedzę o odpowiednim sprzęcie i bezpiecznych technikach montażu.

W przypadku korzystania ze specjalnie zaprojektowanego systemu podwieszania specjalista z odpowiednimi uprawnieniami powinien sprawdzić całą konstrukcję i zaplanowaną metodę przytwierdzenia do struktury budynku w celu zachowania integralności strukturalnej i bezpieczeństwa.

Wybrane elementy złączne muszą być zgodne ze wszystkimi lokalnymi przepisami budowlanymi i być w stanie utrzymać wagę subwoofera.

- Należy korzystać tylko z elementów złącznych o klasie 8.8 lub wyższej.
- Do montażu nie należy wykorzystywać nieoznaczonych maszynowych elementów złącznych, jako że nie można określić ich właściwości fizycznych.
- Do gwintowanych otworów M10 w subwooferze należy używać elementów złącznych także o oznaczeniu M10. Mimo że elementy złączne SAE 3/8 cala (16 zwojów na cal) są podobne, nie można stosować ich wymiennie z elementami o oznaczeniu M10.
- Elementów złącznych nie należy dokręcać zbyt mocno. Może to prowadzić do uszkodzenia szafki i doprowadzić do powstania konstrukcji, która zagraża bezpieczeństwu.
- Należy używać wystarczająco długich elementów złącznych, aby można je było wkręcić na długość co najmniej 8 zwojów. Używanie elementów złącznych, których nie można dokręcić na długość co najmniej 8 zwojów, spowoduje, że element będzie niedostatecznie przytwierdzony do subwoofera, a gwint może się ukruszyć.
- Nie należy żłobić gwintowanych otworów ani zmieniać ich średnicy w celu użycia innego rozmiaru bądź rodzaju elementu złącznego. Takie działanie może narazić bezpieczeństwo instalacji i trwale uszkodzić subwoofer.
- Aby zabezpieczyć konstrukcję przed drganiami, należy skorzystać z zabezpieczenia połączeń gwintowanych odkręcanych za pomocą narzędzi ręcznych (np. środka Loctite® 242®).

Subwoofera nie wolno podwieszać za pomocą jego uchwytu.

Na podwieszonym subwooferze Bose AMS nie wolno zawieszать innych głośników lub przedmiotów.

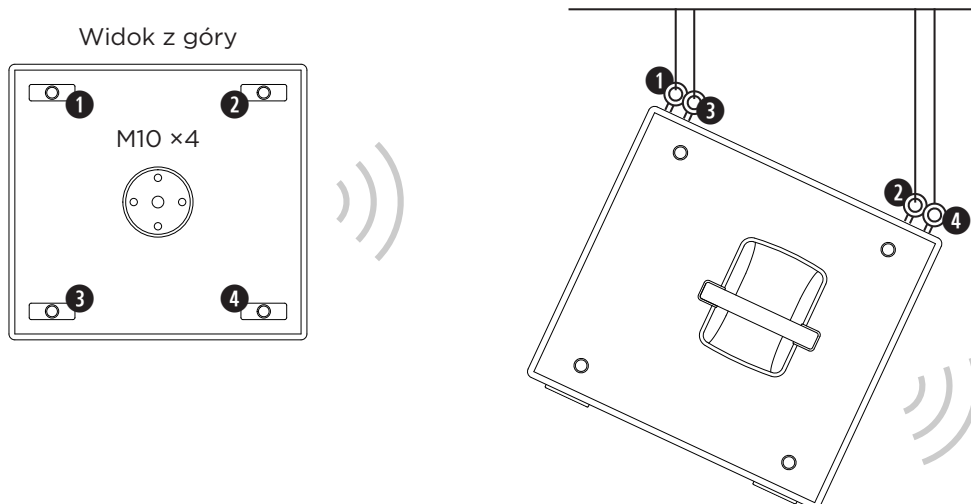
Podwieszenie



OSTRZEŻENIE! Aby mieć pewność, że produkt jest zainstalowany i używany z zachowaniem zasad bezpieczeństwa, obowiązkiem instalatora jest przed rozpoczęciem montażu zapoznanie się z poprzednią sekcją zawierającą Instrukcje dotyczące montażu i dokumentacją dotyczącą wszystkich pozostałych elementów montażowych.

Aby podwiesić subwoofer na suficie, należy wkręcić śruby M10 z uchem do gwintowanych otworów M10 znajdujących się na górnym lub bocznym panelu subwoofera. Należy używać tylko śrub z uchem, które są opatrzone oznaczeniem dopuszczalnego obciążenia i są przeznaczone do podnoszenia (zgodnie z ASME B30.26).

W przypadku korzystania ze specjalnie zaprojektowanego systemu podwieszania specjalista z odpowiednimi uprawnieniami powinien sprawdzić konstrukcję i jej instalację. Wszystkie elementy montażowe należy kupować od renomowanych producentów.



Ustawienia wstępne procesora

Należy używać tylko ustawień wstępnych głośnika zatwierdzonych przez Bose Professional. Znajdujące się poniżej ustawienia wstępne są dostępne w przypadku korzystania ze wzmacniaczy PowerMatch Bose Professional.

Pełna lista produktów, które obsługują ustawienia wstępne Bose Professional AMM głośników, znajduje się na stronie: PRO.BOSE.COM.

Zastosowanie	Nazwa ustawienia wstępnego
Subwoofer	AMS115 Sub

Dane techniczne

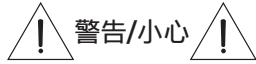
Złącza	2 wejścia Neutrik® NL4	Styk 1+: LF+ Styk 1-: LF- Styk 2+: Brak połączenia Styk 2-: Brak połączenia
Moc	500 W (RMS), 2800 W (szczytowa)	
Impedancja nominalna	8 Ω	
Wymiary (wysokość × szerokość × głębokość)	47 × 47 × 50,8 cm (18,5 × 18,5 × 20 cali)	
Waga netto	28,39 kg (62,6 lb)	

请阅读并保留所有安全、安全性和使用说明。

本产品仅适合由专业安装人员安装！

本文件仅为用户提供安全准则和基本设置信息。如果产品是以永久固定的方式进行的安装或悬挂，在产品安装前，请阅读 Bose 的所有相关文件（详见附加产品文件）以及所有其他安装组件制造商提供的相关文件。

请勿尝试自行维修此产品。所有维修服务必须由授权服务中心、安装人员、技术人员、经销商或分销商提供。要联系 Bose Professional 或查找您附近的经销商或分销商，请访问 PRO.BOSE.COM。



警告/小心



此符号表示本指南中的重要操作和维护说明。



本产品含有磁性材料。有关这是否会影响到您的植入式医疗器械，请咨询您的医生。

所有 Bose 产品的安装都必须遵守当地、州、联邦和行业规范。安装人员有责任确保扬声器安装和安装系统的安装实施均符合所有适用法规，包括当地的建筑法规和规定。安装本产品前，请咨询拥有司法管辖权的当地监管机构。

安装扬声器后，须进行定期检查和日常维护，以确保扬声器功能正常和操作安全。检查安装硬件和配件是否有腐蚀迹象、折弯或可能降低结构完整性的任何其他状况。立即更换磨损或损坏的组件。

未经授权切勿改装本产品。

请勿将本产品安装在不结实或有潜在危险的表面，比如铺有电线或管道的地方。确保支架由拥有相应资质的专业安装人员安装且符合当地的建筑法规。

请勿将支架或产品放置或安装在任何热源旁边，比如火炉、暖气片、热调节装置或其他可产生热量的设备（包括功放）。

请勿在汽车或船舶上使用本产品。

由于有通风需求，Bose 建议不要将本产品放置在密闭空间中，比如墙洞或封闭式橱柜。

本产品不得受液体飞溅或喷洒，不得将装有液体的物体（如花瓶等）置于本产品上或本产品附近。

请勿将产品安装在可能发生冷凝的位置。

此产品不适合在室内涉水设施区域安装或使用（包括但不限于室内游泳馆、室内水上乐园、有热水浴缸的房间、桑拿房、蒸汽浴室以及室内溜冰场）。

以不安全的方式登高安装或吊装任何重物可能导致严重的人身伤害、死亡或财产损失。安装人员有责任评估在其应用中所使用的任何安装方法的可靠性。只有正确了解硬件且掌握安全安装方法的专业安装人员才能尝试以吊装的方式安装任何扬声器。

请勿让扬声器或安装组件接触 Bose 未说明的任何化学物质，包括但不限于润滑剂、清洗剂、触点喷剂或烃类溶剂。暴露于此类物质中可能会导致产品塑料材料老化，从而导致产品开裂和坠落危险。

规范信息

型号: AMS115



Bose Corporation 在此声明，本产品严格遵守 2014/35/EU 指令和其他所有适用的欧盟指令要求中的基本要求和和其他相关规定。您可以从以下网址找到完整的合规声明：www.Bose.com/compliance。



此标志表示本产品不得作为生活垃圾丢弃，必须送至相关回收部门回收利用。正确处理和回收有助于保护自然资源、人类健康和环境。想要获得更多关于此产品的处理和回收的信息，请联系当地市政当局、垃圾处理服务部门或您购买此产品的门店。

中国危险物质限用表

有毒或有害物质或元素名称及成分						
有毒或有害物质和元素						
零件名称	铅 (Pb)	汞 (Hg)	镉 (Cd)	六价铬 (Cr(VI))	多溴化联苯 (PBB)	多溴二苯醚 (PBDE)
印刷电路板	X	0	0	0	0	0
金属零件	X	0	0	0	0	0
塑料零件	0	0	0	0	0	0
扬声器	X	0	0	0	0	0
线缆	X	0	0	0	0	0

此表格依据 SJ/T 11364 的要求制定。

0: 表示此零件中所有均质材料所包含的此类有毒或有害物质均低于 GB/T 26572 中的限定要求。

X: 表示此零件所用全部均质材料中至少有一种包含的这种有毒或有害物质高于 GB/T 26572 标准的限定要求。



中国台湾危险物质限用表

设备名称: 专业扬声器 机型名称: AMS115						
限用物质及其化学符号						
单位	铅 (Pb)	汞 (Hg)	镉 (Cd)	六价铬 (Cr+6)	多溴化联苯 (PBB)	多溴二苯醚 (PBDE)
印刷电路板	-	o	o	o	o	o
金属零件	-	o	o	o	o	o
塑料零件	o	o	o	o	o	o
扬声器	-	o	o	o	o	o
线缆	-	o	o	o	o	o

备注 1: “o” 表示限用物质的百分比含量未超出参考值。

备注 2: “-” 表示限用物质符合豁免规定。

生产日期: 序列号中第八位数字表示生产年份; “0” 表示 2010 年或 2020 年。

中国进口商: Bose 电子 (上海) 有限公司, 中国 (上海) 自由贸易试验区, 日樱北路 353 号, 9 号厂房 C 部

欧洲进口商: Bose Products B.V., Gorslaan 60, 1441 RG Purmerend, The Netherlands

墨西哥进口商: Bose de México, S. de R.L. de C.V., Paseo de las Palmas 405-204, Lomas de Chapultepec, 11000 México, D.F. 有关服务或进口商信息, 请致电 +5255 (5202) 3545

中国台湾进口商: Bose 台湾分公司, 台湾 104 台北市民生东路三段 10 号, 9F-A1. 电话: +886-2-2514 7676

Bose Corporation 总部: 1-877-230-5639

Bose 和 PowerMatch 是 Bose Corporation 的商标。

Loctite 和 242 是 Henkel 及其附属公司在美国和其他地方的商标和/或注册商标。

Neutrik 是 Neutrik AG 的注册商标。

所有其他商标均是其各自所有者的财产。

©2020 Bose Corporation. 未经事先书面许可, 不得复制、修改、分发或以其他方式使用本文档的任何部分。

质保信息

本产品享有有限保修。
有关质保信息, 请访问 pro.bose.com/warranty。

附加产品文件

本指南仅包括基本设置信息。如果产品是以永久固定的方式进行的安装或悬挂，在产品安装前，请阅读此处所示网页上的 Bose 所有相关文件。

为确保产品的安全安装，安装人员有责任在安装之前阅读本产品和其他所有安装组件的所有相关文件。

只有正确了解硬件且掌握安全安装方法的专业安装人员才能尝试以吊装的方式安装任何扬声器或低音箱。

要访问此产品的其他 Bose 文件，请扫描二维码或访问此处所示网页。

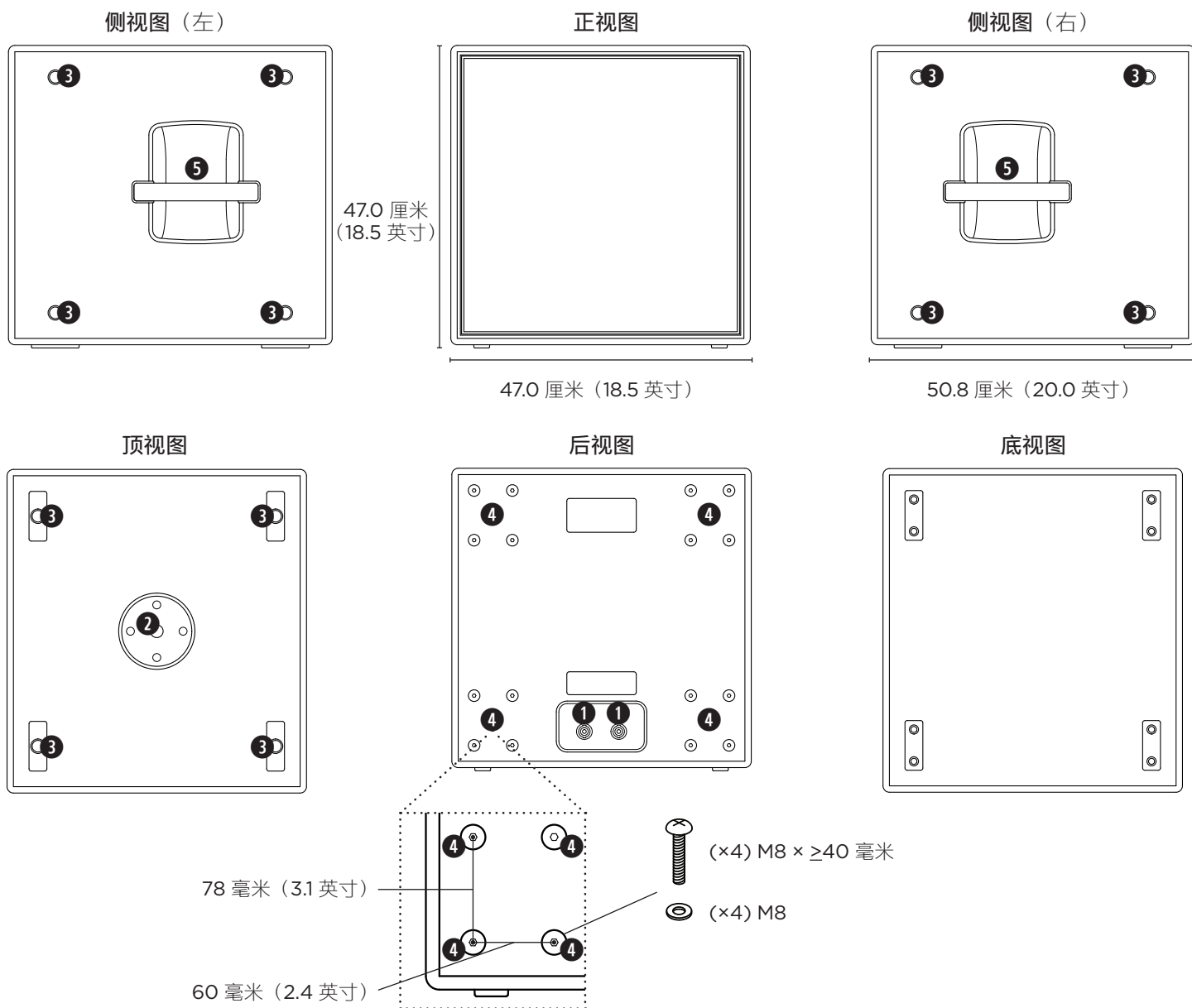


pro.bose.com/ams115

产品详细信息

净重：28.39 千克（62.60 磅）

- ① 输入连接
- ④ M8 脚轮安装点
- ② M20 杆安装点
- ⑤ 手柄
- ③ M10 悬挂点



舞台补声

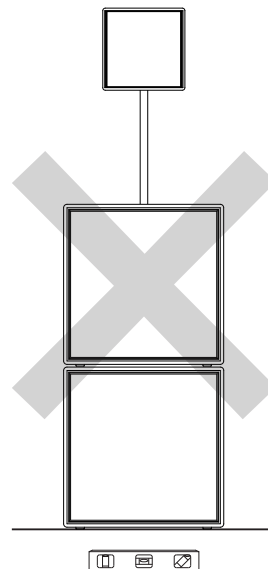
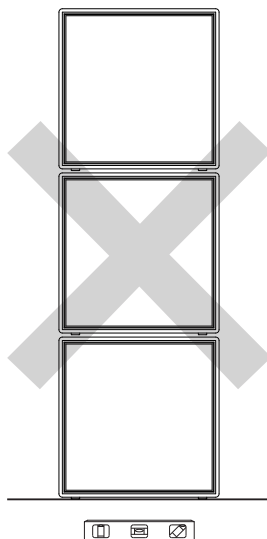
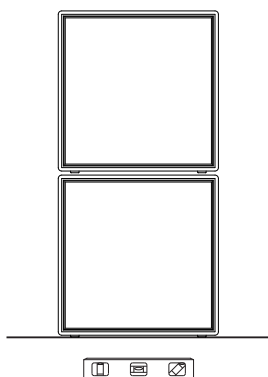
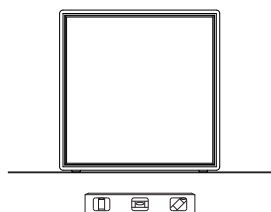
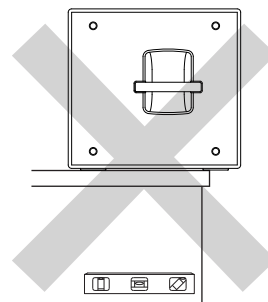
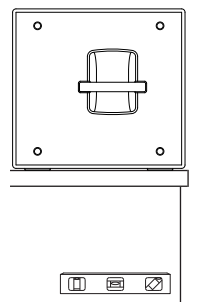


警告： 确保舞台或地板平坦稳定。

警告： 低音箱不可伸出舞台边缘。
确保低音箱的整个箱体都在舞台上。

警告： 请勿堆叠两个以上的低音箱。

警告： 请勿在堆叠的低音箱上使用安装杆。



与全频扬声器配合

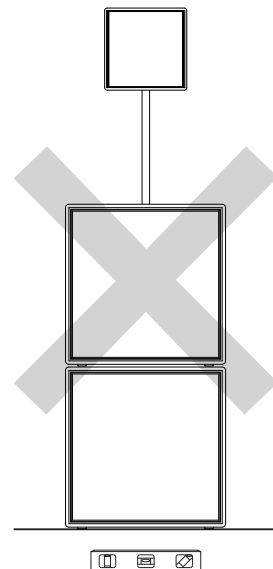
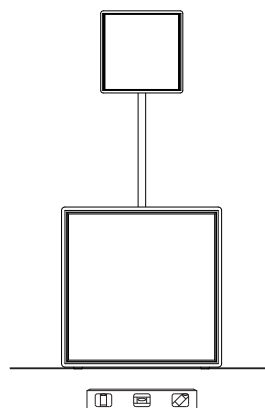
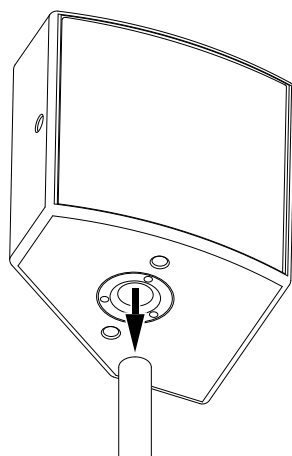
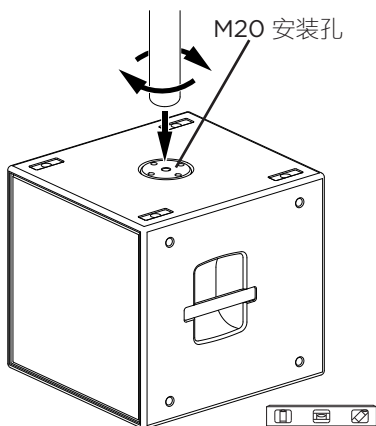


警告： 确保低音箱放置在平稳表面。

警告： 将扬声器和安装杆连接至低音箱之前，请阅读关于扬声器和安装杆的所有文件。确保低音箱可以承受扬声器和安装杆的重量。低音箱和安装杆组装完成且连接扬声器后，应确保整个组件的稳定性，避免发生倾覆或掉落的危险。

警告： 请勿移动整个组件。移动低音箱之前，请先将扬声器从杆上取下。

警告： 请勿在堆叠的低音箱上使用安装杆。



安装（吊装）

安装指南

Bose AMS 低音箱随附螺纹嵌入件，适用于本文件中所述的吊装方法。

以不安全的方式吊装任何重物可能导致严重的人身伤害、死亡或财产损失。安装人员有责任评估在其应用中所使用的任何吊装方法的可靠性。只有正确了解硬件且掌握安全吊装方法的专业安装人员才能尝试以悬吊的方式安装任何扬声器或低音箱。

如果您要使用经过定制设计的吊装系统，请让获得认证的专业工程师对连接建筑结构的设计和计划方法进行审核，确保预期应用中的结构完整性和安全性。

请选择符合当地建筑规范和要求的紧固件，用以支撑低音箱的重量。

- 只能使用 8.8 级或以上的紧固件/硬件。
- 由于无法确定其物理属性，因此请勿使用未标记的机器紧固件进行系统组件安装。
- 低音箱上的 M10 螺纹嵌入件只能使用 M10 紧固件。虽然 SAE 3/8"-16 紧固件与 M10 紧固件相似，但二者不可互换。
- 请勿过度拧紧紧固件。如果过度拧紧，可能会对扬声器箱造成不可挽回的损害，并导致危险组装。
- 确保紧固件的长度至少可与安装点上的 8 个螺纹接合。如果与紧固件接合的螺纹少于 8 个，会导致低音箱的支撑不足，可能会导致螺纹脱落，造成危险组装现象的出现。
- 请勿更改或重新加工螺纹安装点，以匹配任何其他螺纹尺寸或类型。这样做会影响安装的安全性，并对低音箱造成永久损伤。
- 对于防震组件，请使用用于手动拆卸的防松剂（例如 Loctite® 242®）。

请勿使用低音箱手柄吊装低音箱。

请勿在 Bose AMS 低音箱上再吊装其它扬声器或其它物品。

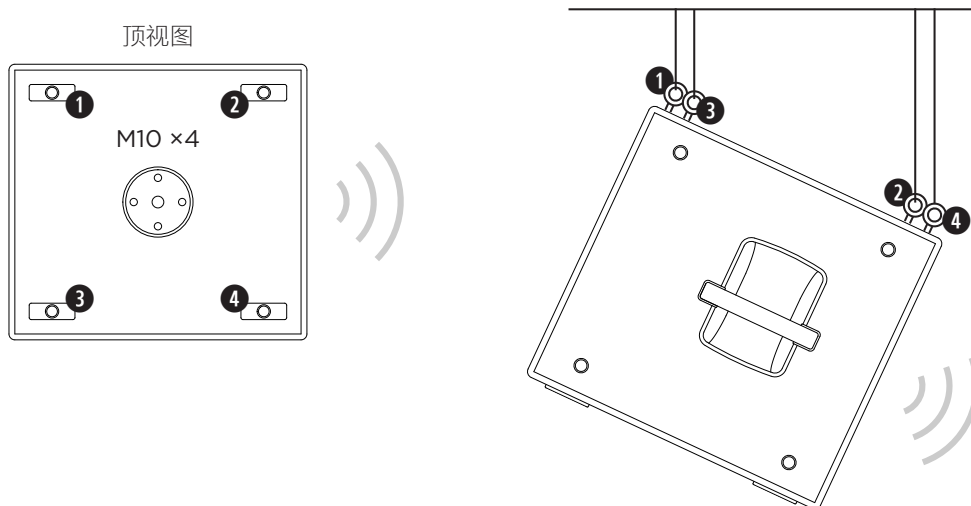
吊装



警告： 为确保产品的安全安装和使用，安装人员在产品安装之前有责任阅读之前的**安装指南**章节以及所有安装组件的用户文件。

如果要将低音箱吊装在天花板上，请将 M10 螺纹吊环螺栓连接至低音箱顶部或侧面板上的 4 个 M10 螺纹安装点。只能使用用于吊装的额定载重的吊环螺栓（按照 ASME B30.26）。

如果您要使用经过定制设计的吊装系统或硬件，请让获得认证的专业工程师审核相关设计和制造工艺。向知名厂商购买所有吊装系统组件。



处理器预设

只能使用经过批准的 Bose Professional 扬声器预设。使用 Bose Professional PowerMatch 功放时，此处列出的预设可用。

请访问 PRO.BOSE.COM，获取支持 Bose Professional AMS 扬声器预设的完整产品名单。

应用	预设名称
低音箱	AMS115 Sub

技术规格

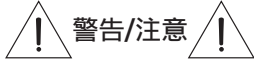
端口	2 × Neutrik® NL4 输入	针脚 1+: LF+ 针脚 1-: LF- 针脚 2+: 未连接 针脚 2-: 未连接
功率处理能力	500 W (RMS)、2800 W (峰值)	
额定阻抗	8 Ω	
尺寸 (高 × 宽 × 深)	47.0 厘米 × 47.0 厘米 × 50.8 厘米 (18.5 英寸 × 18.5 英寸 × 20.0 英寸)	
净重	28.39 千克 (62.60 磅)	

請閱讀並妥善保管所有安全和使用指示。

本產品僅限由專業安裝人員安裝！

本文件僅旨在為使用者提供安全準則與基本安裝資訊。若要以永久性固定安裝方式安裝或懸吊本產品，請於安裝本產品之前檢視 Bose (請參閱其他產品文件) 及其他所有安裝組件之製造商所提供的有所有相關文件。

請勿自行維修本產品。如需任何維修服務，請洽授權服務中心、安裝人員、技術人員、經銷商或分銷商。若要聯絡 Bose Professional 或尋找附近的經銷商或分銷商，請造訪 PRO.BOSE.COM。



警告/注意



產品上若有此符號，表示本指南中提供了重要的操作和維護指示。



本產品含有磁性材料。請諮詢醫生以瞭解這是否會影響您的植入式醫療設備。

所有 Bose 產品的安裝必須遵守當地、州、聯邦和行業規範。安裝人員有責任確保揚聲器和安裝系統的裝設都符合適用的法規，包括當地的建築法規和規定。安裝本產品前，請諮詢擁有司法權的當地政府機關。

安裝的揚聲器需要進行定期檢查與例行維護，以確保功能正常及操作安全。檢查安裝五金部件與連接部件，確認是否有腐蝕、彎曲或任何其他可能會降低結構完整性的情況的徵兆。磨損或損壞的組件應立即更換。

未經授權請勿擅自改裝本產品。

請勿安裝在不穩定或有潛在危險的表面，比如佈線或鋪設管道的地方。請務必由合格的专业安裝人員遵照當地的建築法規安裝支架。

請勿將支架或產品放置或安裝在任何熱源附近，如火爐、暖氣片、熱調節裝置或可發熱的其他裝置 (包括擴大機)。

請勿在汽車或船舶上使用本產品。

為滿足通風需求，Bose 建議不要把產品放置在侷限的空間中，比如壁腔或封閉式揚聲器箱。

請勿讓本產品受液體淋濺或噴灑，也請勿將裝有液體的物體 (例如花瓶) 置於本產品上或本產品附近。

請勿將產品安裝於可能結露的位置。

本產品並不適合安裝或用於室內有水設施區域 (包括但不限於：室內泳池、室內戲水區、熱水浴池、桑拿、蒸氣室與室內溜冰場等)。

以不安全的方式安裝或高處懸吊任何重物都可能導致嚴重的人身傷害或死亡，以及財產損失。安裝人員須負責評估其應用情形中所採用之任何安裝方式是否穩定可靠。只有具備適當五金部件知識與安全安裝技術的專業安裝人員，才可嘗試安裝任何高處懸吊揚聲器。

請勿使揚聲器或安裝組件接觸任何非 Bose 指定的化學物質，包括但不限於潤滑劑、清潔劑、觸點噴劑或碳氫溶劑。接觸該等物質會使塑膠材質劣化，進而導致破裂並產生墜落危險。

法規資訊

型號：AMS115



Bose Corporation 在此聲明本產品嚴格遵守 2014/35/EU 指令的基本要求和和其他相關規定，以及所有其他適用的歐盟指令要求。您可以從以下位置找到完整的符合聲明：www.Bose.com/compliance。



此符號表示本產品不得以家庭廢棄物方式丟棄，而應將其送到合適的收集設施進行回收。妥善處理及回收有助於保護天然資源、人類健康和環境。如欲獲得有關處理和回收本產品的更多資訊，請聯絡當地政府機關、廢棄物處理服務或您購買本產品的商家。

中國有害物質限制使用表

有毒或有害物質或元素的名稱及成分						
有毒或有害物質及元素						
零件名稱	鉛 (Pb)	汞 (Hg)	鎘 (Cd)	六價鉻 (CR(VI))	多溴化聯苯 (PBB)	多溴聯苯醚 (PBDE)
印刷電路板	X	0	0	0	0	0
金屬零件	X	0	0	0	0	0
塑膠零件	0	0	0	0	0	0
揚聲器	X	0	0	0	0	0
連接線	X	0	0	0	0	0

此表格係根據 SJ/T 11364 條款所製作。

0: 表示用於此零件的所有同類材料中，此有毒或危險物質低於 GB/T 26572 中的限制規定。

X: 表示至少一種用於此零件的同類材料中，此有毒或危險物質高於 GB/T 26572 中的限制規定。

台灣有害物質限制用表

設備名稱：專業用揚聲器 型號：AMS115						
限用物質及其化學符號						
設備	鉛 (Pb)	汞 (Hg)	鎘 (Cd)	六價鉻 (Cr+6)	多溴聯苯 (PBB)	多溴二苯醚 (PBDE)
印刷電路板	-	o	o	o	o	o
金屬零件	-	o	o	o	o	o
塑膠零件	o	o	o	o	o	o
揚聲器	-	o	o	o	o	o
連接線	-	o	o	o	o	o

備註 1: 「○」表示限用物質的濃度百分比含量未超過參考值。

備註 2: 「-」表示限用物質屬於豁免項目範圍。

製造日期：序號第八位數代表製造年份；「0」代表 2010 或 2020。

中國進口商：Bose Electronics (Shanghai) Company Limited, 中國 (上海) 自由貿易試驗區，日櫻北路 353 號，9 號廠房 C 部

歐盟進口商：Bose Products B.V., Gorslaan 60, 1441 RG Purmerend, The Netherlands

墨西哥進口商：Bose de México, S. de R.L. de C.V., Paseo de las Palmas 405-204, Lomas de Chapultepec, 11000 México, D.F. 如需服務或進口商資訊，請撥打 +5255 (5202) 3545

台灣進口商：Bose 台灣分公司，台灣 104 台北市民生東路三段 10 號 9 樓 A1 室。電話號碼：+886-2-2514 7977

Bose Corporation 總部：1-877-230-5639

Bose 和 PowerMatch 是 Bose Corporation 的商標。

Loctite 和 242 是 Henkel 及/或其關係企業在美國和其他地方的商標及/或註冊商標。

Neutrik 是 Neutrik AG 的註冊商標。

所有其他商標均是其各自所有者的財產。

©2020 Bose Corporation。未經預先書面許可，不得複製、修改、發行或以其他方式使用本指南之任何部分。

保固資訊

此產品享有有限保固。

如需保固詳細資料，請造訪：pro.Bose.com/warranty。

其他產品文件

本指南僅包含基本安裝資訊。若要以永久性固定安裝方式安裝或懸吊本產品，請於此處所顯示的網頁中檢視 Bose 所提供的相關文件。

為確保產品安裝之安全性，安裝人員有責任在安裝本產品之前，參閱本產品及其他所有安裝組件的所有相關文件。

只有具備適當五金部件知識與安全安裝技術的專業安裝人員，才可嘗試安裝任何高處懸吊揚聲器或超低音箱。

若要取得關於本產品的其他 Bose 文件，請掃描 QR 碼或造訪此處所顯示的網頁。



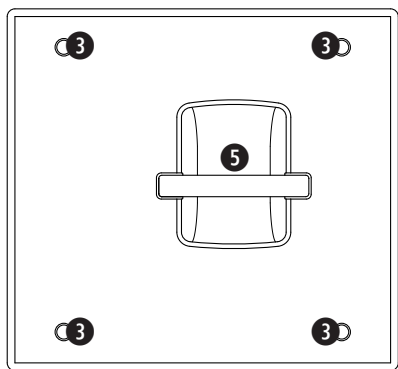
pro.bose.com/ams115

產品詳細資料

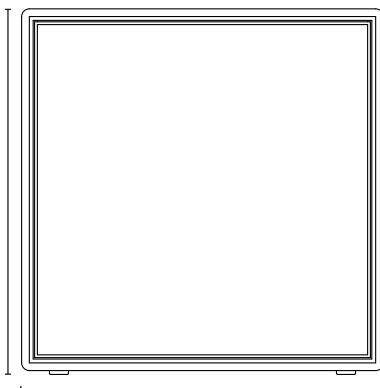
- ① 輸入連接
- ④ M8 滾輪安裝點
- ② M20 支撐桿安裝點
- ⑤ 手柄
- ③ M10 懸吊點

淨重：28.39 公斤 (62.60 磅)

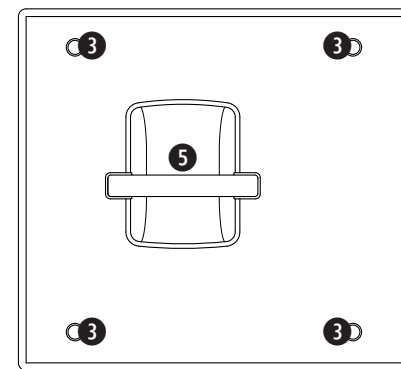
側視視圖 (左)



正面視圖



側視視圖 (右)

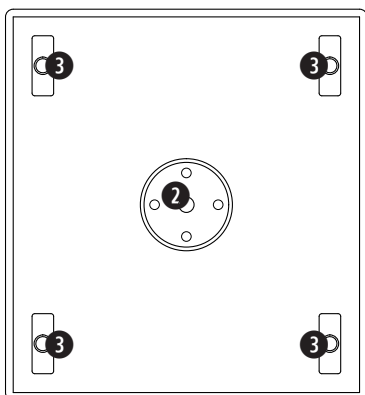


47.0 公分
(18.5 吋)

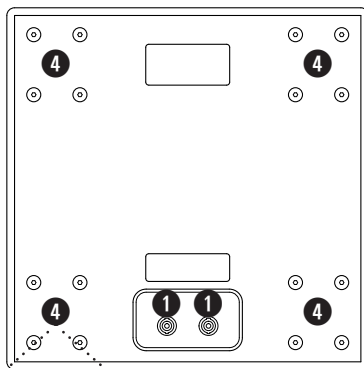
47.0 公分 (18.5 吋)

50.8 公分 (20.0 吋)

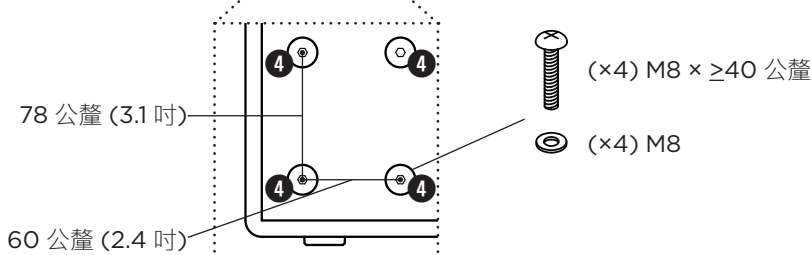
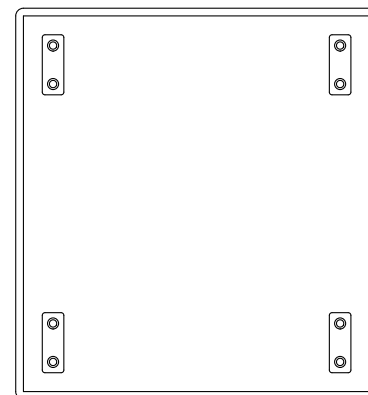
頂部視圖



背面視圖



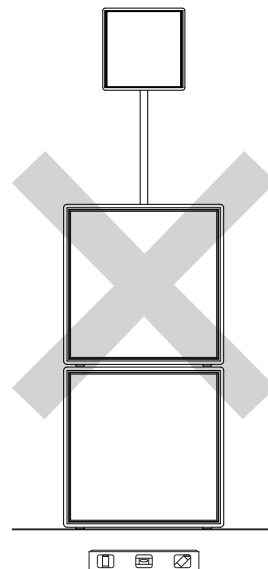
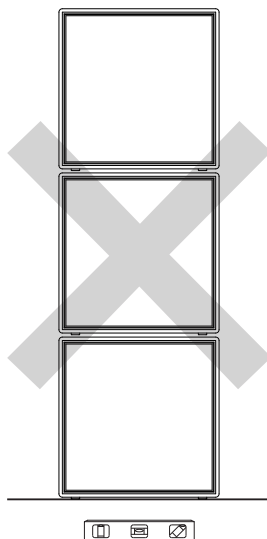
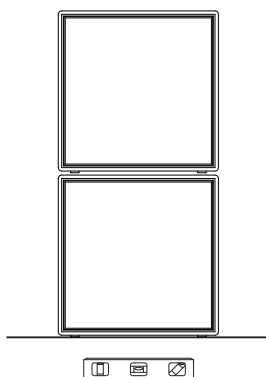
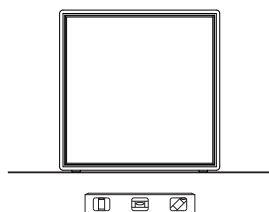
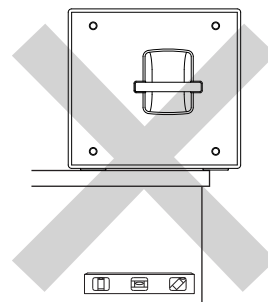
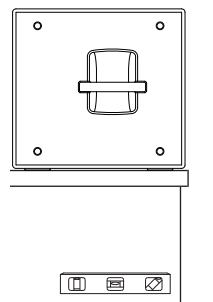
底部視圖



舞台補音



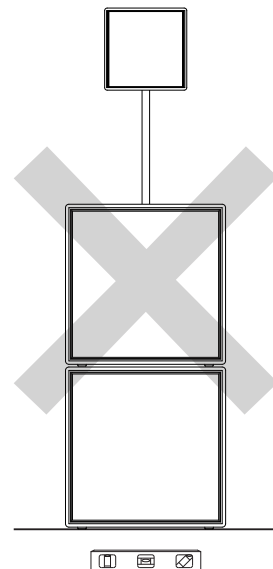
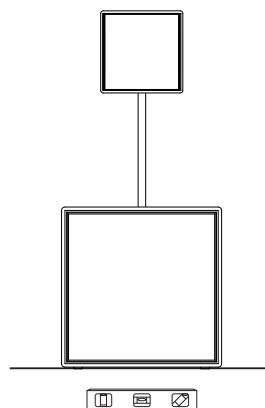
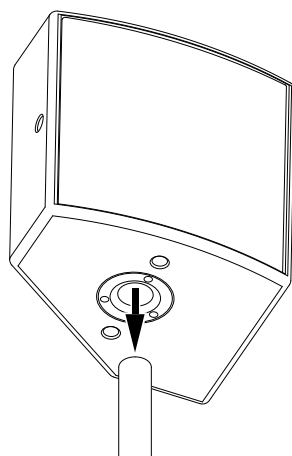
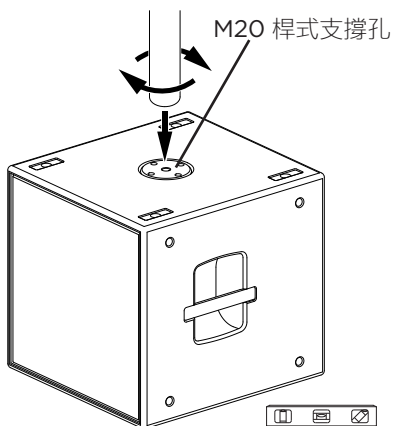
- 警告：請確保舞台或地板處於穩定的水平狀態。
- 警告：請勿使超低音箱超出舞台邊緣。請確保超低音箱的整體機身均位於舞台內。
- 警告：請勿將兩個以上的超低音箱相互堆疊。
- 警告：請勿將桿式支撐孔用於堆疊的超低音箱。



搭配揚聲器使用



- 警告：請務必將超低音箱放置於穩定的水平表面上。
- 警告：在將揚聲器與支撐桿安裝於超低音箱之前，請先參閱所有相關文件。請確保超低音箱可支撐揚聲器與支撐桿的重量。在將超低音箱與支撐桿組裝完畢，並安裝揚聲器之後，請確認組件整體穩定牢固，且不會產生傾倒或墜落的危險。
- 警告：請勿試圖移動整座組件。在移動超低音箱之前，請先將揚聲器從支撐桿上卸下。
- 警告：請勿將桿式支撐孔用於堆疊的超低音箱。



安裝 (懸吊)

安裝準則

Bose AMS 超低音箱包含螺絲吊點，可用於本文件中所述的懸吊安裝方式。

以不安全的方式於高處懸吊任何重物，均可能導致嚴重的人身傷害或死亡，以及財產損失。安裝人員須負責評估其應用情況所採用的任何懸吊方式是否穩定可靠。只有具備適當五金部件知識與安全懸吊技術的專業安裝人員，才可嘗試安裝任何高處懸吊揚聲器或超低音箱。

如果您使用的是特別設計的懸吊系統，請由具執照的專業工程師檢查建築結構附屬物的設計與規劃方法，以確保所計畫之應用安裝的結構完整性與安全性。

請選用符合所有當地建築法規和規定的緊扣件，以支撐超低音箱的重量。

- 僅限使用 Class 8.8 或更高等級的緊扣件/五金部件。
- 請勿使用沒有標記的機器緊扣件來安裝系統組件，因為無法確定其物理性質。
- 超低音箱的 M10 螺絲吊點僅限使用 M10 緊扣件。雖然 SAE 3/8 吋 - 16 緊扣件類似，但無法與 M10 緊扣件相互替換。
- 請勿使緊扣件過度鎖緊。否則可能會對揚聲器箱造成無法修復的損壞，並導致組裝不安全。
- 請確保緊扣件的長度足以齧合至少 8 個安裝點螺紋。若所使用的緊扣件可齧合的螺紋少於 8 個，將會導致超低音箱的支撐力不足，進而使螺紋磨損並導致組裝不安全。
- 請勿修改螺絲安裝點或重製螺紋，來適用其他任何螺紋尺寸或類型。這麼做會危害安裝的安全性，並對超低音箱造成永久性的損害。
- 對於耐振組件，請使用手動拆卸專用的螺絲固定劑 (例如 Loctite® 242®)。

請勿使用超低音箱的手柄來懸吊超低音箱。

請勿從 Bose AMS 超低音箱懸吊額外的揚聲器或其他物品。

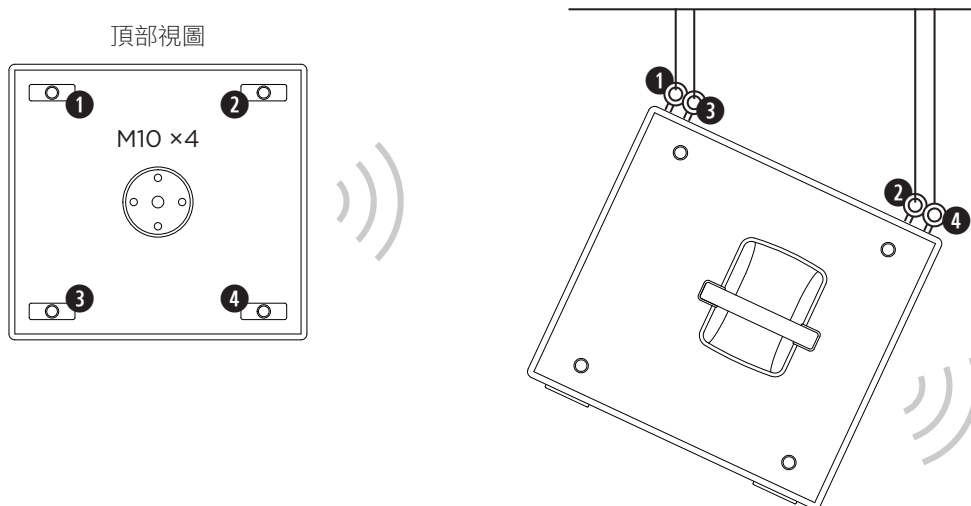
懸吊



警告：為確保安全安裝及使用本產品，在安裝產品之前，安裝人員有責任參閱前述的**安裝準則**部分，以及所有安裝組件的使用者文件。

若要将超低音箱懸吊於天花板，請將 M10 螺絲吊環螺栓安裝於超低音箱頂部或側面板上的四個 M10 螺絲安裝點。僅限使用起重專用的額定載重吊環螺栓 (依據 ASME B30.26 標準)。

如果您使用的是特別設計的懸吊系統或五金部件，必須由具執照的專業工程師檢查其設計與製造。請向信譽優良的製造商購買所有懸吊系統組件。



處理器預設

僅限使用經核准的 Bose Professional 揚聲器預設。使用 Bose Professional PowerMatch 擴大機時，可適用此處所列的各項預設。

有關支援 Bose Professional AMM 揚聲器預設的產品完整清單，請造訪：PRO.BOSE.COM。

應用程式	預設名稱
超低音箱	AMS115 Sub

技術規格

連接端子	2 × Neutrik® NL4 輸入	針腳 1+ : LF+ 針腳 1- : LF- 針腳 2+ : 未連接 針腳 2- : 未連接
承受功率	500 W (RMS), 2800 W (峰值)	
額定阻抗	8 Ω	
尺寸 (高 × 寬 × 深)	47.0 公分 × 47.0 公分 × 50.8 公分 (18.5 吋 × 18.5 吋 × 20.0 吋)	
淨重	28.39 公斤 (62.60 磅)	

安全およびセキュリティ上の留意項目および使用方法をよく読み、それに従ってください。

本製品は、専門の施工業者による設置のみを想定した製品です。

このドキュメントは、ユーザーに安全上のガイドラインと基本的なセットアップ情報を提供することのみを目的としています。本製品を常設の固定設備として取り付け・吊り下げを行う場合は、製品の設置を開始する前に、ボーズの関連ドキュメント（「**その他の製品ドキュメント**」を参照）および他の全ての設置コンポーネントのメーカーから発行されているドキュメントをすべて確認してください。

ご自身で製品を修理しないでください。修理が必要な際には、正規サービスセンター、ボーズ認定の施工業者、技術者、ディーラーまたはディストリビューターにお問い合わせください。Bose Professionalにご連絡いただくか、お近くのディーラーまたはディストリビューターを見つけるには、PRO.BOSE.COMにアクセスしてください。



警告/注意



この記号は、このガイドに製品の取り扱いとメンテナンスに関する重要な項目が記載されていることを示します。



本製品には磁性材料が含まれています。体内に埋め込まれている医療機器への影響については、医師にご相談ください。

ボーズ製品を設置する際は、必ず地域と業界指導の安全基準に従ってください。各地域の建築に関する条例や規制など、適用される全ての法律に従ってスピーカーおよびそのマウントシステムを設置することは施工業者の責任です。本製品を設置する前に、各地域の管轄官庁に相談してください。

設置したスピーカーには定期点検と日常保守を行い、正常な機能と安全な動作を確認してください。また、構造健全性に悪影響を与える可能性がある腐食やたわみなどが設置部品と取り付け部品に発生していないかどうか点検してください。劣化した部品や損傷した部品は直ちに交換してください。

許可なく製品を改造しないでください。

設置面の強度が不十分な場合や、設置面の裏側に電線や配管などの危険物が隠れている場合は、本製品を設置しないでください。各地域の建築に関する条例に従って、認定された専門業者によりブラケットが取り付けられていることを確認してください。

暖炉、ヒーター、暖房送風口、その他の熱を発生する装置（アンプを含む）の近くにブラケットを取り付けたり、製品を設置したりしないでください。

車内や船上などで使用しないでください。

空気の流れが妨げられる恐れがあるため、製品を壁のくぼみや密閉された家具の中には置かないでください。

水漏れやしぶきが掛かるような場所で本製品を使用しないでください。また、花瓶など、液体が入った物品を本製品の上や近くに置かないでください。

結露の可能性がある場所に製品を設置しないでください。

この製品は屋内の水を使用するエリア（屋内プール、屋内ウォータerpark、浴室、サウナ、スチームサウナ、屋内スケートリンクなど）での設置または使用を意図していません。

重量物の不安定な設置や頭上吊り下げは、重傷または死亡、および設備機器等への損傷の原因となる可能性があります。適用する設置方法の信頼性を評価することは、施工業者の責任です。適切な機材、安全な設置技術に関する知識を持つ専門の施工業者のみが、頭上へのスピーカーの設置を行うことができます。

スピーカーや取り付けコンポーネントを、潤滑剤、洗浄剤、接点復活剤、および炭化水素を基剤とする溶剤などを含むがこれに限定されない、ボーズ指定外の化学物質にさらさないでください。製品がこうした物質に触れると、プラスチック素材の劣化につながり、ひび割れが生じて落下事故を招くおそれがあります。

規制に関する情報

Model Number: AMS115



Bose Corporation hereby declares that this product is in compliance with the essential requirements and other relevant provisions of Directive 2014/35/EU and all other applicable EU directive requirements. The complete declaration of conformity can be found at: www.Bose.com/compliance.



This symbol means the product must not be discarded as household waste, and should be delivered to an appropriate collection facility for recycling. Proper disposal and recycling helps protect natural resources, human health, and the environment. For more information on disposal and recycling of this product, contact your local municipality, disposal service, or the shop where you bought this product.

中国で制限されている有害/危険物質一覧

有害/危険物質または成分の名称および含有に関する情報						
有害/危険物質および成分						
各部の名称	鉛 (Pb)	水銀 (Hg)	カドミウム (Cd)	六価クロム (Cr(VI))	ポリ臭化ジフェニル (PBB)	ポリ臭化ジフェニルエーテル (PBDE)
基板	X	0	0	0	0	0
金属部分	X	0	0	0	0	0
プラスチック部分	0	0	0	0	0	0
スピーカー	X	0	0	0	0	0
ケーブル	X	0	0	0	0	0

この表は、SJ/T 11364の規格に沿うように作成されています。
 0: 該当部分のすべての素材に含まれる有害/危険物質がGB/T 26572の制限要件を下回っていることを示します。
 X: このパーツに使用されている1種類以上の均質物質に含まれている当該有害/有害物質が、GB/T 26572の制限要件を上回っていることを示します。



台湾で制限されている有害/危険物質一覧

機器名: Professional Loudspeaker 型式: AMS115						
制限される物質および化学記号						
ユニット	鉛 (Pb)	水銀 (Hg)	カドミウム (Cd)	六価クロム (Cr+6)	ポリ臭化ジフェニル (PBB)	ポリ臭化ジフェニルエーテル (PBDE)
基板	-	○	○	○	○	○
金属部分	-	○	○	○	○	○
プラスチック部分	○	○	○	○	○	○
スピーカー	-	○	○	○	○	○
ケーブル	-	○	○	○	○	○

注1: 「○」は制限物質の含有率が存在の基準値の比率を超過していないことを示します。
 注2: 「-」は制限物質が除外の対象であることを示します。

製造日: シリアル番号の8桁目の数字は製造年を表します。「0」は2010年または2020年です。

中国における輸入元: Bose Electronics (Shanghai) Company Limited, Part C, Plant 9, No. 353 North Ruyi Road, China (Shanghai) Pilot Free Trade Zone

EUにおける輸入元: Bose Products B.V., Gorslaan 60, 1441 RG Purmerend, The Netherlands

メキシコにおける輸入元: Bose de México, S. de R.L. de C.V., Paseo de las Palmas 405-204, Lomas de Chapultepec, 11000 México, D.F. For service or importer information, call +5255 (5202) 3545

台湾における輸入元: Bose Taiwan Branch, 9F-A1, No. 10, Section 3, Minsheng East Road, Taipei City 104, Taiwan. Phone Number: +886-2-2514 7676

Bose Corporation Headquarters: 1-877-230-5639

BoseおよびPowerMatchは、Bose Corporationの商標です。

Loctiteおよび242は、米国および他の国々におけるHenkelおよびその関連会社の商標および登録商標です。

Neutrikは、Neutrik AGの登録商標です。

その他すべての商標は所有権を保持する各社に帰属します。

©2020 Bose Corporation 本書のいかなる部分も、書面による事前の許可のない複製、変更、配布、その他の使用は許可されません。

保証情報

保証の内容および条件につきましては、付属の保証書をご覧ください。保証の詳細については、pro.Bose.com/warrantyをご覧ください。

その他の製品ドキュメント

本ガイドでは、基本的なセットアップ情報のみを扱っています。本製品を常設の固定設備として取り付け・吊り下げを行う場合は、こちらのWebページに掲載されているボーズの全関連ドキュメントを確認してください。

安全に製品を設置するため、施工業者は、製品の設置を開始する前に、本製品の関連ドキュメントと他の設置コンポーネントの関連ドキュメントをすべて参照してください。

天井にスピーカーやサブウーファーを設置する場合は、必ず、適切な部品および安全な設置技術の知識を持つ専門の施工業者が行うようにしてください。

本製品に関する他のボーズのドキュメントにアクセスするには、QRコードをスキャンするか、こちらのWebページにアクセスしてください。

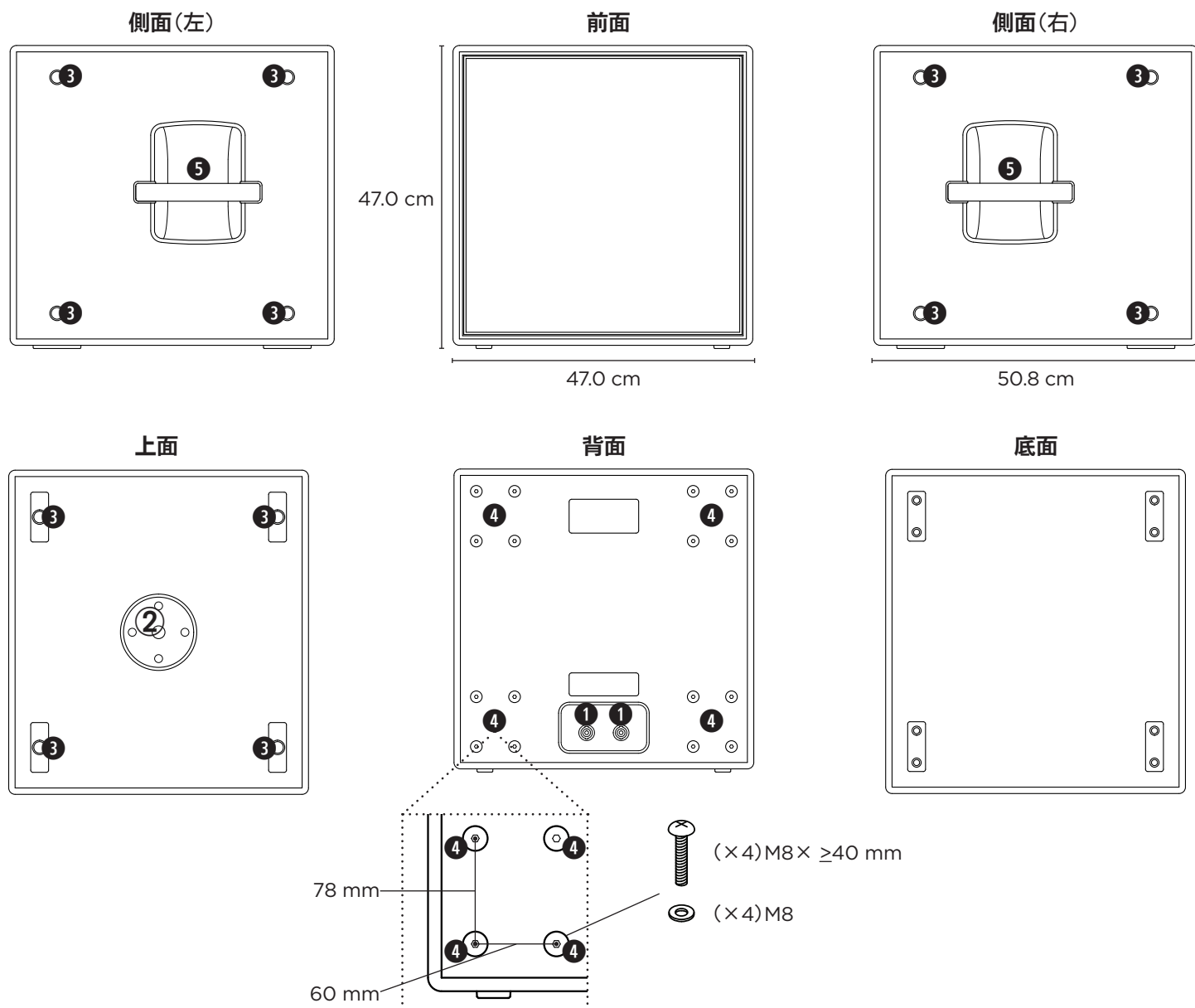


pro.bose.com/ams115

製品の詳細

質量: 28.39 kg

- ① 入力端子
- ④ M8キャスター取り付けポイント
- ② M20ポール取り付けポイント
- ⑤ ハンドル
- ③ M10吊り下げポイント



ステージフィル

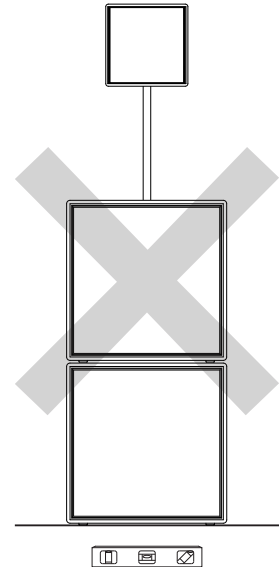
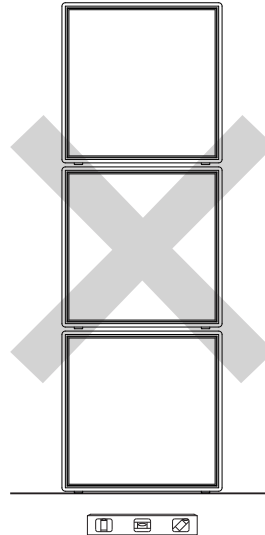
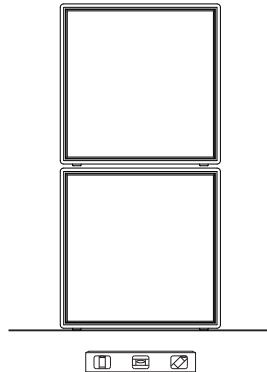
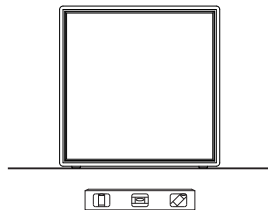
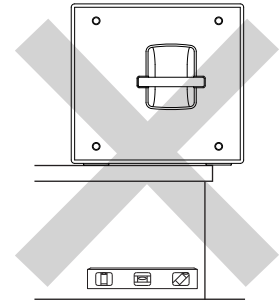
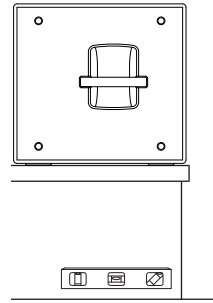


警告: ステージやフロアが安定しており、水平であることを確認してください。

警告: サブウーファーが、ステージの縁からはみ出さないように設置してください。サブウーファー全体がステージ上に置かれていることを確認してください。

警告: 3台以上のサブウーファーを重ねないでください。

警告: 重ねたサブウーファーにポールマウントを使用しないでください。



スピーカーとの設置

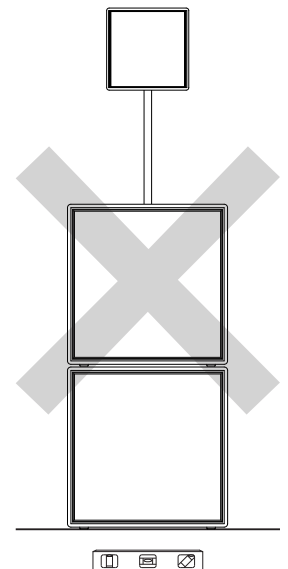
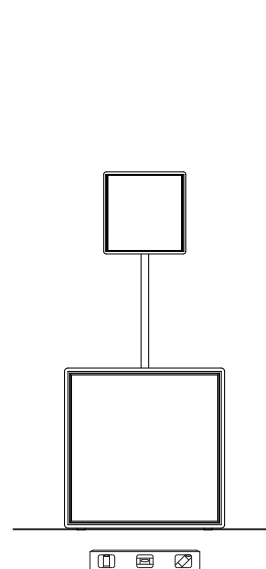
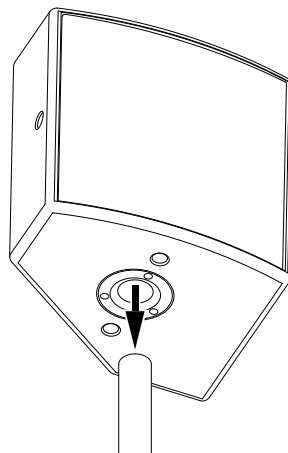
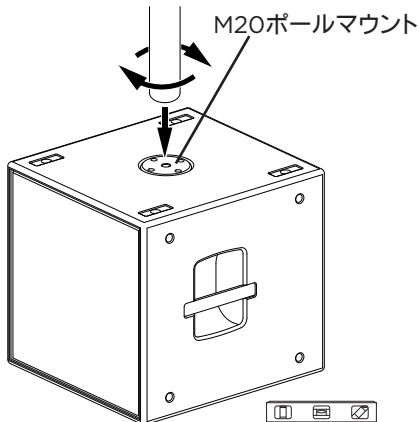


警告: サブウーファーは、必ず安定した水平面に設置してください。

警告: サブウーファーにスピーカーを設置する前に、スピーカーおよびポールのすべての関連ドキュメントを参照してください。サブウーファーがスピーカーとポールの重量を支えることが可能であることを確認してください。サブウーファーにポールを差し込み、スピーカーを設置したら、システム全体の安定性をチェックし、転倒や落下の危険性がないことを確認してください。

警告: システム全体を動かさないでください。サブウーファーを移動する場合は、事前にポールからスピーカーを取り外してください。

警告: 重ねたサブウーファーにポールマウントを使用しないでください。



設置(吊り下げ)

設置ガイドライン

本ドキュメントに記載されているとおり、Bose AMS subwoofersにはネジ穴が付いており、吊り下げ設置に対応しています。

重量物の不安定な頭上となる場所への取り付けは、重傷または死亡、および機器への損傷の原因となります。適用する吊り下げ方法の信頼性を評価することは、施工業者の責任です。天井にスピーカーやサブウーファーを設置する場合は、必ず、適切な部品および安全な吊り下げ技術の知識を持つ専門の施工業者が行うようにしてください。

カスタム設計の吊り下げシステムを使用している場合、必ず資格のある専門のエンジニアに設計と計画している建造物への取り付け方法について相談し、構造の完全性と安全性に問題がないことを確認してください。

サブウーファーの重量を支えられるように、現地の建築基準と要件すべてに適合する留め具を選択してください。

- ・ 留め具／部品は、必ずクラス8.8以上のものを使用してください。
- ・ 標示のない機械式留め具は、物理的な特性が判断できないため、取り付けシステムに使用しないでください。
- ・ サブウーファーのM10ネジ穴には、M10留め具以外は使用できません。SAE ⅜インチ-16サイズの留め具は類似していますが、M10留め具の代わりに使用することはできません。
- ・ 留め具をきつく締め過ぎないでください。留め具をきつく締め過ぎると、キャビネットに修復不可能な損傷を与え、組み立て後の安全性が損なわれる恐れがあります。
- ・ 留め具に、取り付けポイントの少なくとも8つのネジ山がかみ合うだけの十分な長さがあることを確認してください。かみ合うネジ山が8つ未満の留め具を使用すると、サブウーファーを支える力が不十分になり、ネジ山のつぶれにつながり、組み立て後の安全性が損なわれる恐れがあります。
- ・ 他のネジのサイズやタイプを適用するため、ネジ込み式の取り付けポイントを変造したり、ネジ切り加工したりしないでください。サブウーファーの設置の安全性が損なわれたり、恒久的な損傷を引き起こすことにつながります。
- ・ 組み立て後の耐振動性を確保するために、取り外し可能なネジ緩み止め接着剤(Loctite® 242®など)を使用してください。

サブウーファーの吊り下げに、サブウーファーハンドルを使用しないでください。

Bose AMS subwooferから追加のスピーカーやその他のアイテムを吊り下げないでください。

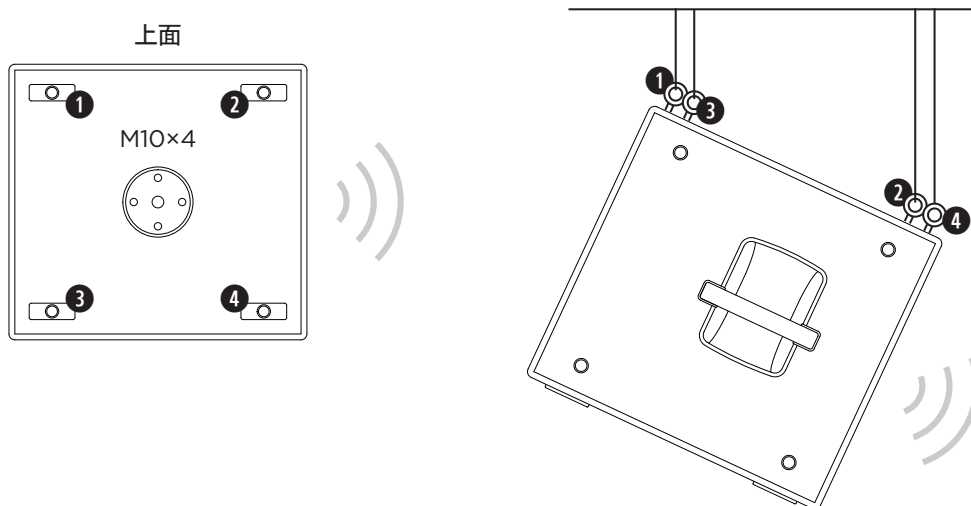
吊り下げ



警告: 製品の設置と使用の安全性を確保するため、施工業者は、必ず製品を設置する前に、前掲の「設置ガイドライン」セクションとすべての取り付け部品のユーザーガイドを参照する必要があります。

サブウーファーを天井から吊り下げるには、ネジ込み式のM10アイボルトをサブウーファーのトップパネルまたはサイドパネルにある4つのネジ込み式のM10取り付けポイントに取り付けます。必ず、吊り上げに対応した定格負荷アイボルトを使用してください(ASME B30.26に準拠)。

カスタム設計の吊り下げシステムや部品を使用している場合、必ず資格のある専門のエンジニアが設計と組み立てを確認する必要があります。信頼できるメーカーの吊り下げシステム部品を使用してください。



プロセッサのプリセット

必ず公式のBose Professionalスピーカープリセットを使用してください。Bose Professional PowerMatchアンプを使用している場合、ここに示したプリセットを使用できます。

Bose Professional AMM loudspeakerのプリセットをサポートする製品の全一覧については、[PRO.BOSE.COM](https://www.pro.bose.com)にアクセスしてください。

用途	プリセット名
サブウーファー	AMS115 Sub

技術仕様

コネクター	Neutrik® NL4入力×2	ピン1+: LF+ ピン1-: LF- ピン2+: 未接続 ピン2-: 未接続
許容入力	500 W(RMS)、2800 W(ピーク)	
公称インピーダンス	8 Ω	
寸法 (高さ×幅×奥行)	47.0 cm ×47.0 cm ×50.8 cm	
質量	28.39 kg	

يرجى قراءة إرشادات السلامة والأمن والاستخدام كافة، والاحتفاظ بها.

هذا المنتج مصمم للتركيب من قبل فنيي التركيب المتخصصين فقط!

يهدف هذا المستند إلى تزويد المستخدمين بإرشادات السلامة ومعلومات الأعداد الأساسية فقط. إذا كان سيتم تثبيت هذا المنتج أو تعليقه بطريقة دائمة وثابتة، فيرجى مراجعة كل المستندات ذات الصلة التي توفرها Bose (راجع مستندات إضافية حول المنتج) والشركة المصنعة لكل مكونات التركيب الأخرى قبل تركيب المنتج.

لا تحاول صيانة هذا الجهاز بنفسك. بل قم بإحالة جميع أعمال الصيانة إلى مراكز الخدمات أو متخصصي التركيب أو الفنيين أو الوكلاء أو الموزعين المعتمدين. للتواصل مع متخصص من Bose أو للعثور على وكيل أو موزع بالقرب منك، تفضل بزيارة موقع الويب PRO.BOSE.COM.

أسماء ومحتويات المواد أو العناصر السامة أو الخطرة						
المواد والعناصر السامة أو الخطرة						
اسم الجزء	الرصاص (Pb)	الزئبق (Hg)	الكاديوم (Cd)	سداسي الكبريت (VI)CR	ثنائي الفينيل المعالج بالبروم (PBB)	أثير ثنائي الفينيل المعالج بالبروم (PBDE)
ثنائي الفينيل المعامل بالكلور المتعدد	X	O	O	O	O	O
الأجزاء المعدنية	X	O	O	O	O	O
الأجزاء البلاستيكية	O	O	O	O	O	O
مكبرات الصوت	X	O	O	O	O	O
الكيبات	X	O	O	O	O	O

تم إعداد هذا الجدول وفقاً لأحكام معيار SJ/T 11364.

O: يشير إلى أن هذه المادة السامة أو الخطرة الموجودة في كل المواد المتجانسة لهذا الجزء أقل من متطلبات تقييد معيار GB/T 26572.

X: يشير إلى أن هذه المادة السامة أو الخطرة الموجودة على الأقل في إحدى المواد المتجانسة لهذا الجزء أعلى من متطلبات التقييد لمعيار GB/T 26572.



جدول المواد الخطرة المحظور استخدامها في تايوان

اسم الجهاز: مكبر صوت Professional تخصيص النوع: AMS115						
المواد المحظورة والرموز الكيميائية لها						
الوحدة	الرصاص (Pb)	الزئبق (Hg)	الكاديوم (Cd)	الكروم سداسي التكافؤ (Cr+6)	ثنائي الفينيل المعالج بالبروم (PBB)	أثير ثنائي الفينيل المعالج بالبروم (PBDE)
ثنائي الفينيل المعامل بالكلور المتعدد	-	O	O	O	O	O
الأجزاء المعدنية	-	O	O	O	O	O
الأجزاء البلاستيكية	O	O	O	O	O	O
مكبرات الصوت	-	O	O	O	O	O
الكيبات	-	O	O	O	O	O

ملاحظة 1: "O" تشير إلى أن النسبة المئوية لمحتوى المادة المحظورة لا تتجاوز النسبة المئوية للقيمة المرجعية الموجودة.

ملاحظة 2: تشير "-" إلى أن المادة المحظورة تتطابق مع الإغفاء.

تاريخ التصنيع: يشير الرقم الثامن في الرقم التسلسلي إلى سنة التصنيع؛ حيث يشير الرقم "0" إلى 2010 أو 2020.

المستورد في الصين: Bose Electronics (Shanghai) Company Limited, Part C, Plant 9, No. 353 North Riyang Road, China (Shanghai) Pilot Free Trade Zone

المستورد في الاتحاد الأوروبي: Bose Products B.V., Gorslaan 60, 1441 RG Purmerend, The Netherlands

المستورد في المكسيك: Bose de México, S. de R.L. de C.V., Paseo de las Palmas 11000 México, D.F 405-204, Lomas de Chapultepec. للحصول على معلومات حول الخدمة والمستورد، اتصل على الرقم (5202) 3545 +5255

المستورد في تايوان: Bose Taiwan Branch, 9F-A1, No. 10, Section 3, Minsheng East Road, Taipei City 104, Taiwan رقم الهاتف: +886-2-2514 7676

المقر الرئيسي لشركة Bose: +86-77-230-5639

إن Bose و PowerMatch هما علامتان تجاريتان لشركة Bose Corporation.

إن Loctite و 242 هما علامتان تجاريتان و/أو علامتان تجاريتان مسجلتان لشركة Henkel و/أو الشركات التابعة لها في الولايات المتحدة وبلدان أخرى.

Neutrik هي علامة تجارية مسجلة لشركة Neutrik AG.

كل العلامات التجارية الأخرى ملك لأصحابها المعنيين.

حقوق الطبع والنشر © للعام 2020 محفوظة لشركة Bose Corporation. يجب عدم استنساخ أي جزء من هذا المستند أو تعديله أو توزيعه أو حتى استخدامه بدون إذن خطي مسبق.

معلومات حول الضمان

يأتي هذا المنتج مع ضمان محدود.

للحصول على تفاصيل الضمان، تفضل بزيارة pro.Bose.com/warranty.

مستندات إضافية حول المنتج



pro.bose.com/ams115

يحتوي هذا الدليل على معلومات الإعداد الأساسي فقط. إذا كان سيتم تثبيت هذا المنتج أو تعليقه بطريقة دائمة وثابتة، فيرجى مراجعة كل المستندات ذات الصلة التي توفرها Bose على صفحة الويب المبينة هنا.

لضمان تركيب المنتج بطريقة آمنة، يتحمل فني التركيب مسؤولية الرجوع إلى كل المستندات المتعلقة بتركيب هذا المنتج وكل مكونات التركيب الأخرى قبل الشروع في تركيبه.

لا يُسمح سوى لفنيي التركيب المحترفين الذين يتمتعون بالمعرفة الكافية بالأدوات المناسبة وطرق التركيب الآمنة بتركيب مكبرات الصوت أو مضمخات الصوت بطريقة التعليق.

للوصول إلى المستندات الإضافية المتعلقة بهذا المنتج التي توفرها Bose، تفضل بمرسح رمز الاستجابة السريعة QR أو زيارة صفحة الويب المبينة هنا.

تفاصيل المنتج

④ نقطة توصيل العجلات بقطر M8

① اتصال الإدخال

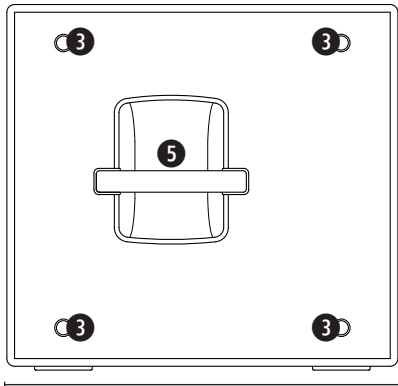
⑤ المقبض

② نقطة توصيل عمود التثبيت بقطر M20

③ نقطة تعليق بقطر M10

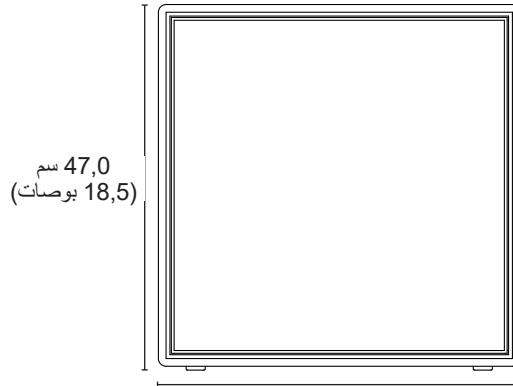
الوزن الصافي: 28,39 كجم (62,60 رطل)

المنظر من الجانب (الأيمن)



50,8 سم (20,0 بوصة)

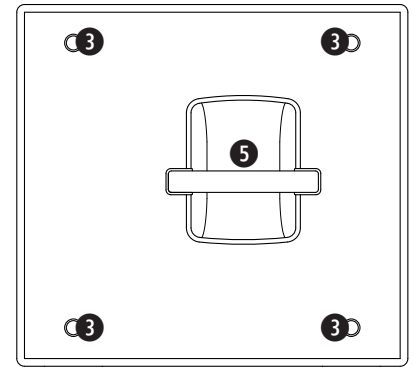
المنظر من الأمام



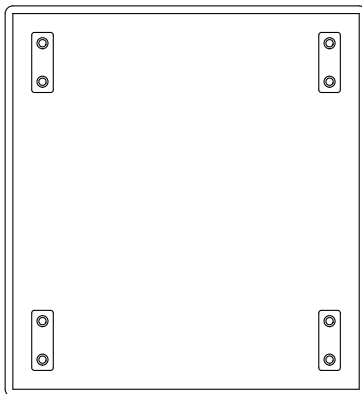
47,0 سم
(18,5 بوصة)

47,0 سم
(18,5 بوصة)

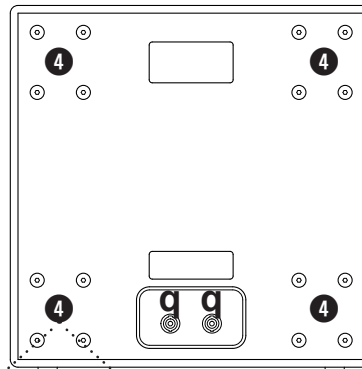
المنظر من الجانب (اليسار)



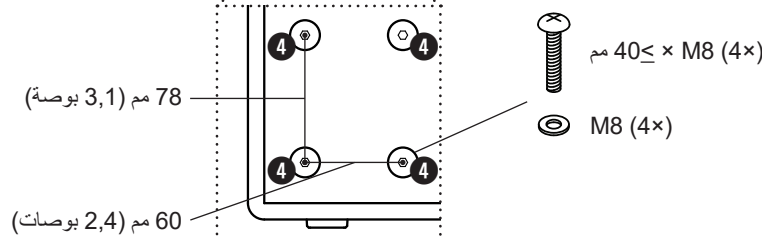
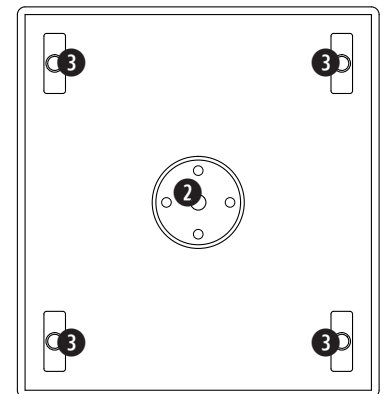
المنظر من الأسفل



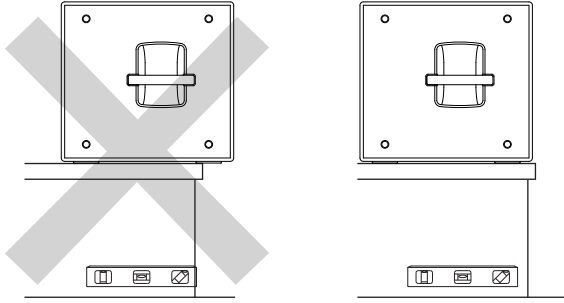
المنظر من الخلف



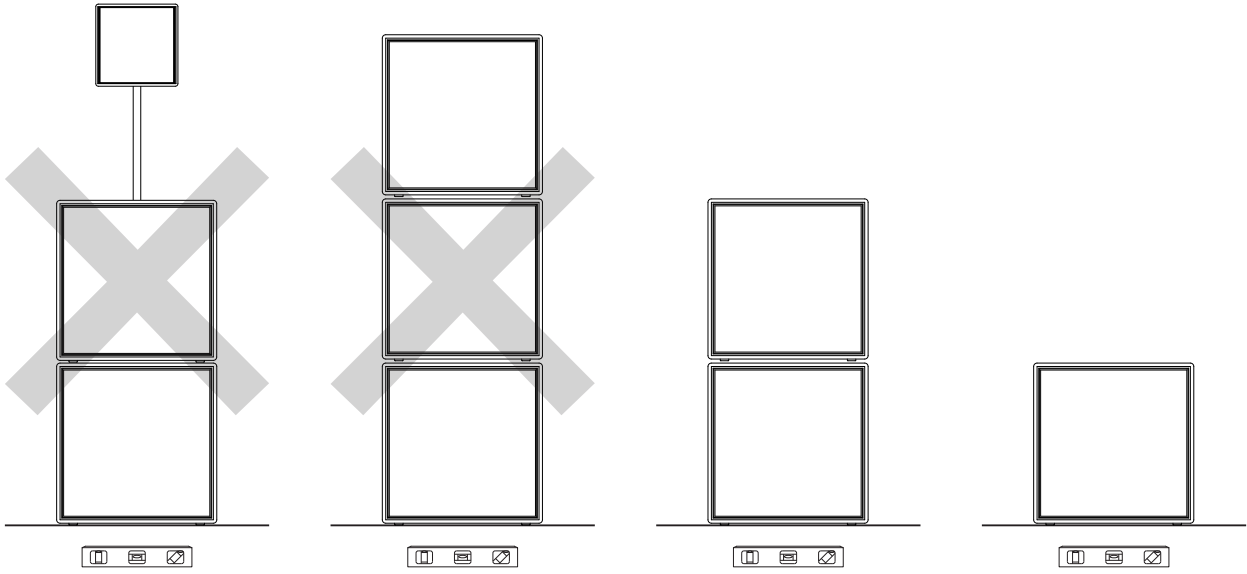
المنظر من الأعلى



توزيع مضخمات صوت على المسرح

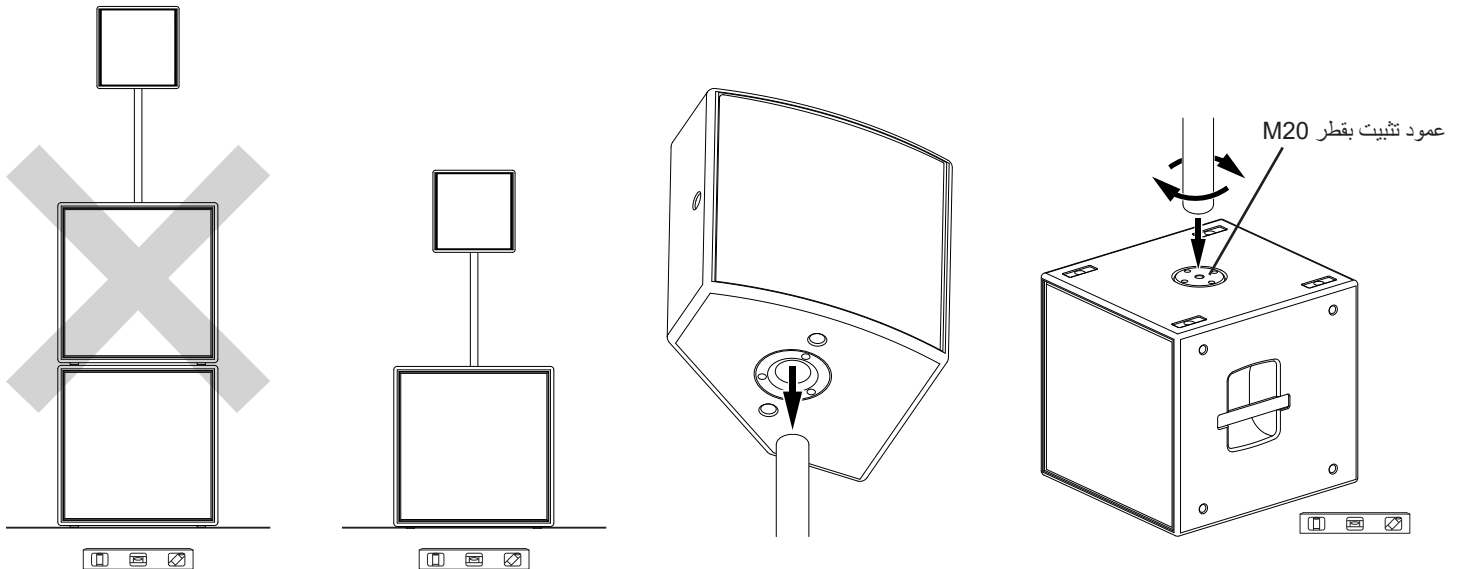


تحذير: تأكد من أن المسرح أو الأرضية ثابتة ومستوية.
تحذير: لا تسمح ببروز أي جزء من مضخم الصوت عن حافة المسرح. تأكد من استقرار مضخم الصوت بأكمله على المسرح.
تحذير: لا تجمع أكثر من مضخم صوت معًا.
تحذير: لا تستخدم عمود تثبيت مع مجموعة من مضخمات الصوت.



عند استخدام مكبر صوت

تحذير: تأكد من وضع مضخم الصوت على سطح ثابت ومستو.
تحذير: راجع كل المستندات ذات الصلة بمكبر الصوت وعمود التثبيت قبل توصيلها بمضخم الصوت. تأكد من أن مضخم الصوت يمكنه تحمل وزن مكبر الصوت وعمود التثبيت. بعد جمع مضخم الصوت وعمود التثبيت وتوصيل مكبر الصوت بهما، تأكد من أن المجموعة الكاملة ثابتة وغير معرضة لخطر الانقلاب أو السقوط.
تحذير: لا تحاول تحريك المجموعة الكاملة. قم بإزالة مكبر الصوت من عمود التثبيت قبل تحريك مضخم الصوت.
تحذير: لا تستخدم عمود تثبيت مع مجموعة من مضخمات الصوت.



التركيب (التعليق)

إرشادات التركيب

تشمل مضخمات الصوت Bose AMS فتحات لولبية لتتكيف مع طرق التعليق كما هو موضح في هذا المستند. قد يتسبب التعليق العلوي غير الآمن لأي حمل ثقيل بوقوع إصابات خطيرة أو الوفاة وتلف الممتلكات. وتقع على عاتق فني التركيب مسؤولية تقييم مدى موثوقية أي طريقة تعليق يتم استخدامها. لا يُسمح سوى لفنيي التركيب المحترفين الذين يتمتعون بالمعرفة الكافية بالأدوات المناسبة وطرق التعليق الآمنة بتركيب مكبرات الصوت و مضخمات الصوت بطريقة التعليق. إذا كنت تستخدم نظام تعليق تم تصميمه خصيصاً، فاطلب من مهندس محترف مرخص مراجعة التصميم والطريقة المقرر اتباعها للتوصيل بهيكل المبنى من أجل سلامة البنية وأمنها أثناء الاستخدام المقصود.

اختر المشابك المتوافقة مع كل قوانين البناء ومتطلباته المحلية لدعم وزن مضخم الصوت.

- استخدم المشابك/المعدات من فئة 8,8 أو ما فوق فقط.
- لا تستخدم مشابك آلة غير مميزة للتثبيت مجموعة النظام نظراً إلى تعذر إمكانية تحديد خصائصها الفيزيائية.
- استخدم مشابك بقطر M10 فقط للفتحات اللولبية بقطر M10 المتوفرة في مضخم الصوت. على الرغم من أن مشابك SAE 8/3 بوصات 16- مشابهة للمشابك بقطر M10 إلا أنه لا يمكن استخدامها بالتبادل.
- لا تفرط في شد المشابك، إذ قد يؤدي ذلك إلى إلحاق ضرر غير قابل للإصلاح بالكابينة ويزعزع أمان المجموعة.
- احرص على أن تكون المشابك طويلة بما فيه الكفاية لتدخل 8 أسنان لولبية على الأقل في نقطة التوصيل. سيؤدي استخدام مشبك لا تدخل 8 أسنان لولبية منه كحد أدنى إلى دعم غير كافٍ لمضخم الصوت، مما قد يتسبب بتلف الأسنان اللولبية وزعزعة أمان المجموعة.
- لا تغير أو تعد لولبية نقاط التوصيل اللولبية بغرض تكييفها مع أي أحجام أو أنواع أخرى من الأسنان اللولبية. قد يعرّض ذلك أمان المجموعة المركبة للخطر ويلحق ضرراً دائماً بمضخم الصوت.
- للحصول على مجموعة مقاومة للاهتزاز، استخدم مادة مثبتة مخصصة للفك اليدوي (مثل Loctite® 242®).

لا تستخدم مقابض مضخم الصوت لتعليقه.

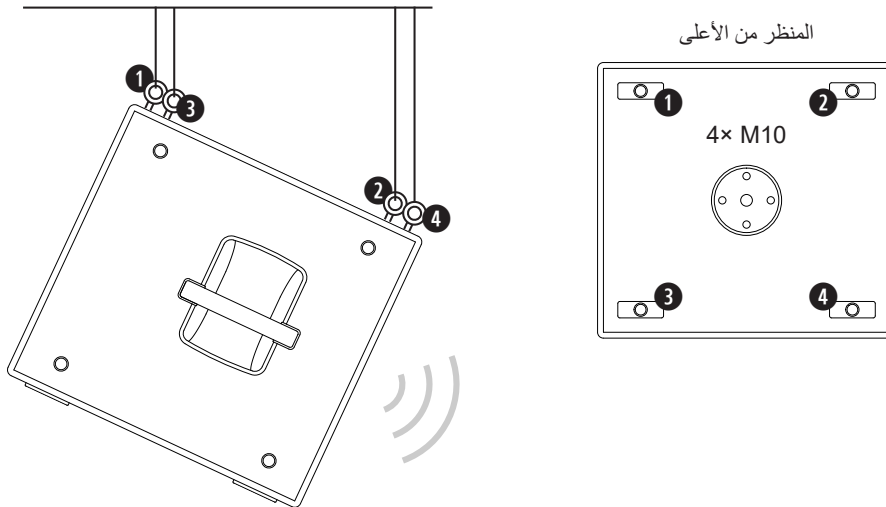
لا تعلق مكبرات صوت إضافية أو عناصر أخرى من مضخم الصوت Bose AMS.

التعليق

تحذير: لضمان تركيب المنتج واستخدامه بطريقة آمنة، يتحمل فني التركيب مسؤولية الرجوع إلى القسم السابق إرشادات التركيب ومستندات المستخدم الخاصة بكل مكونات التثبيت قبل الشروع في تركيب المنتج.



لتعليق مضخم الصوت في السقف، اعمد إلى توصيل مسامير ملولبية ذات عرى من نوع M10 عبر نقاط التوصيل الملولبية الأربعة من نوع M10 المتوفرة على اللوحة العلوية أو الجانبية لمضخم الصوت. استخدم فقط المسامير ذات العرى المصنفة للحمل والمخصصة للرفع (بحسب ASME B30.26). إذا كنت تستخدم نظاماً أو جهازاً للتعليق تم تصميمه خصيصاً، فلا بد من الاستعانة بمهندس محترف مرخص للاطلاع على التصميم والتصنيع. احصل على كل مكونات نظام التعليق من شركات مصنعة مرموقة.



الضوابط المسبقة الخاصة بالمعالج

اسم الضبط المسبق

الاستخدام

AMS115 Sub

مضخم الصوت

استخدم فقط الضوابط المسبقة المعتمدة لمكبرات الصوت Bose Professional. تتوفر الضوابط المسبقة المدرجة هنا عند استخدام مضخمات الصوت Bose Professional PowerMatch.

للحصول على قائمة كاملة بالمنتجات التي تدعم الضوابط المسبقة لمكبرات الصوت Bose Professional AMM، تفضل بزيارة PRO.BOSE.COM.

المواصفات الفنية

الموصلات	إدخال Neutrik® NL4	موصل طرفي +1: LF+
		موصل طرفي -1: LF-
		موصل طرفي +2: غير متصل
		موصل طرفي -2: غير متصل
معالجة الطاقة	500 واط (RMS)، 2800 واط (الذروة)	
المعاوقة الاسمية	8 أوم	
الأبعاد (الطول × العرض × العمق)	47,0 سم × 47,0 سم × 50,8 سم (18,5 بوصة × 18,5 بوصة × 20,0 بوصة)	
الوزن الصافي	28,39 كجم (62,60 رطل)	

©2020 Bose Corporation, All rights reserved.
Framingham, MA 01701-9168 USA
PRO.BOSE.COM
AM858223 Rev. 00
September 2020



858223-0010