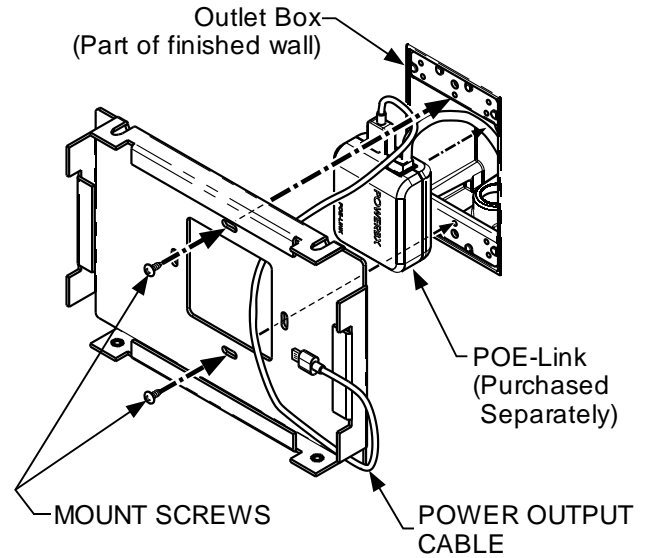
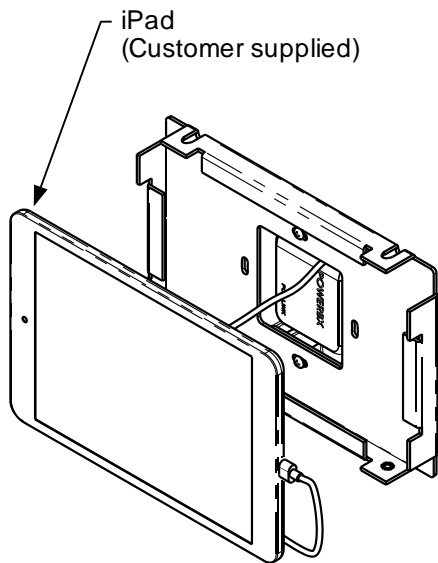


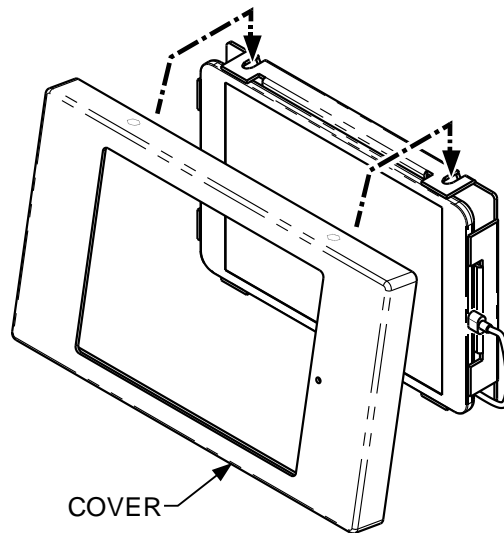
Step 1: Remove two Cover Screws. Rotate bottom of Cover away from Base and then pull Cover up.



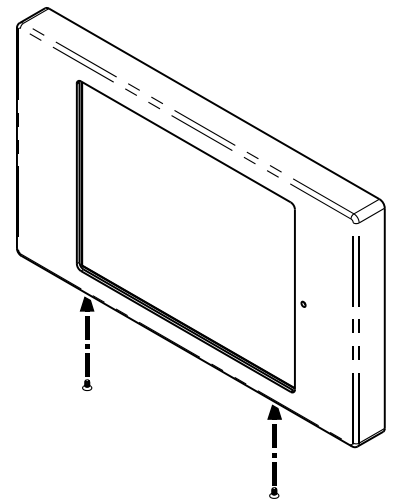
Step 2: Attach Power Input (Ethernet) and Power Output (USB/iPad) cables to POE-Link adaptor (purchased separately). Place POE-Link inside outlet box, and then attach Base to outlet box using supplied #6 self-tapping screws. See page two for alternate mounting



Step 3: Attach Power Output cable from POE-Link to iPad (customer supplied). Position iPad on Base and hold in place while installing Cover.



Step 4: Replace the Cover by positioning studs on inside of Cover into the slots on the top of the Base. Then rotate the Cover into place as shown.



Step 5: Replace Cover Screws to hold Cover in place. Do not over tighten.

