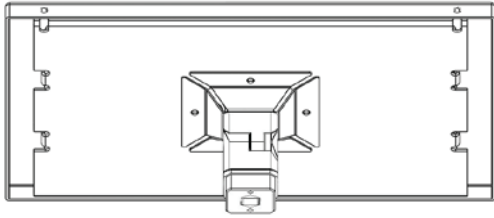


FLOOR STAND INSTALLATION INSTRUCTIONS

PARTS LIST:

:



iPad Enclosure
(sold separately)



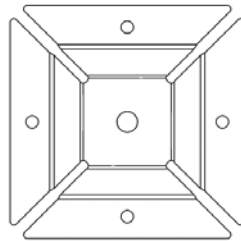
Stand



Screw (2pcs)



Bolt



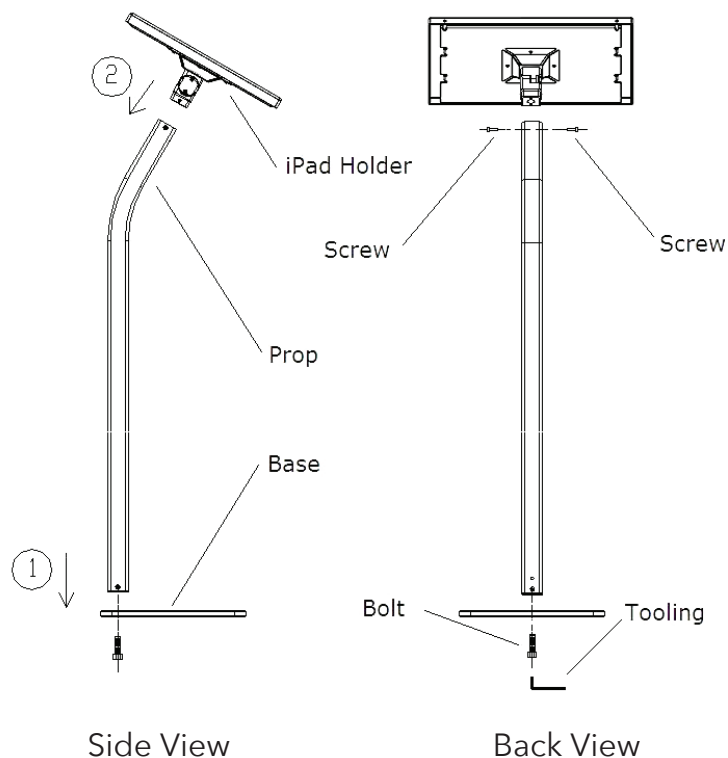
Bracket



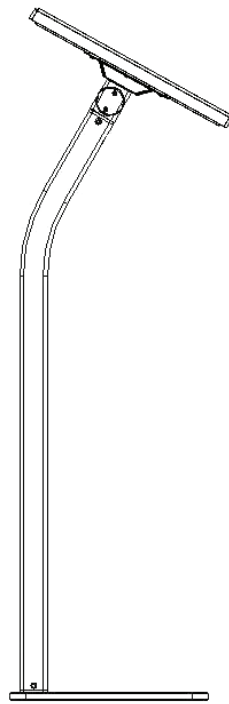
Tooling

Assemble the stand Bracket :

1. As below shows, assemble the stand onto the base and then use the bolt connect them, tighten the bolt by using the attached tooling.
2. As below shows, assemble the iPad holder onto the stand and then using a Phillips screwdriver, fasten the enclosure to the stand with the two screws

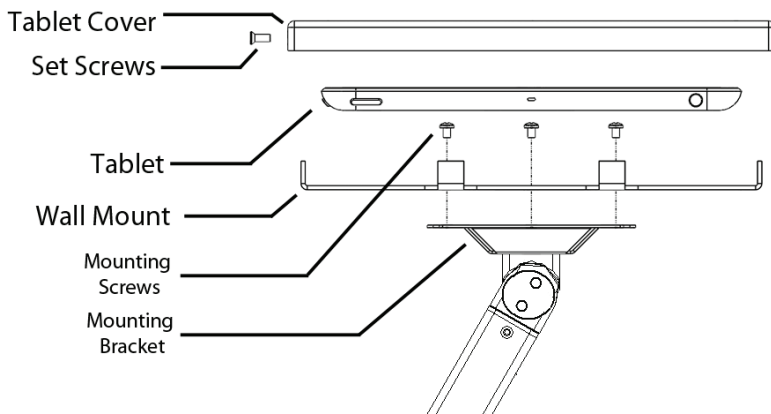


3. Assembled stand as below shows

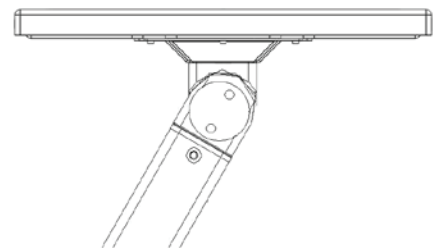


After assembly

4. As below shows, angle the joint so that the bracket is facing up. Use Mounting Screws to attach Mounting Bracket to Wall Mount. Place Tablet into Wall Mount cradle. Place Tablet Cover over the top of the assembly, and use the Set Screws to fasten it to the Wall Mount.



Before assembly



After assembly