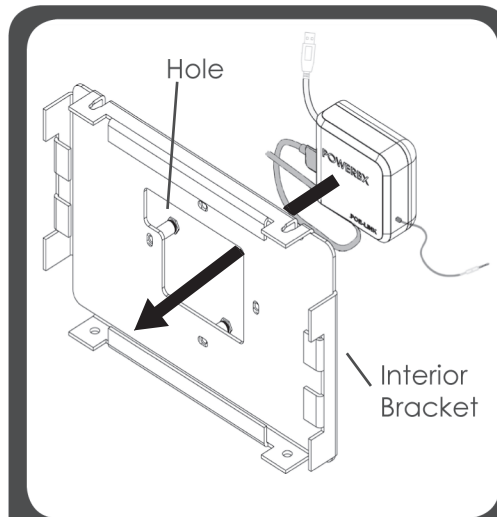
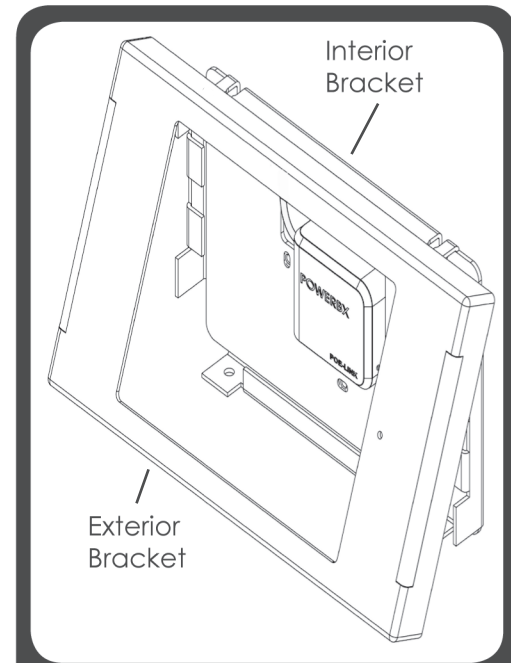


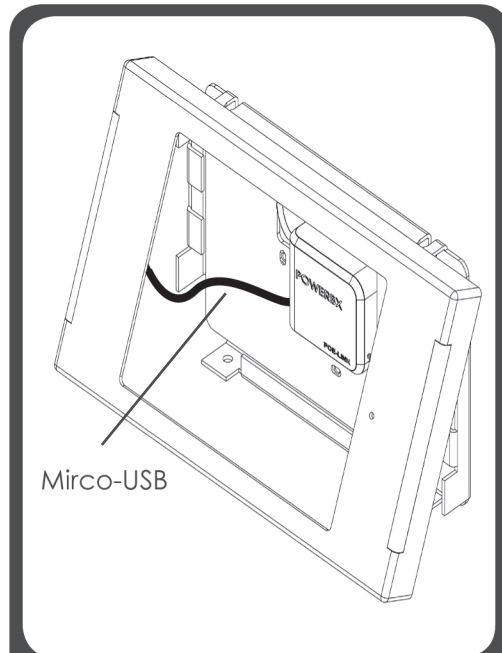
1 Connect the audio, USB, and ethernet cables to the POE Link box.



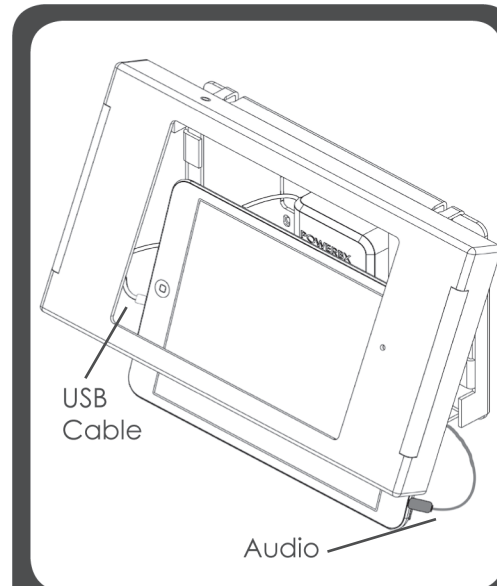
2 Mount the interior bracket to the wall with provided screws over the gangbox. Pull the audio and USB cables through the hole in the interior bracket, while leaving the POE Link box in the wall.



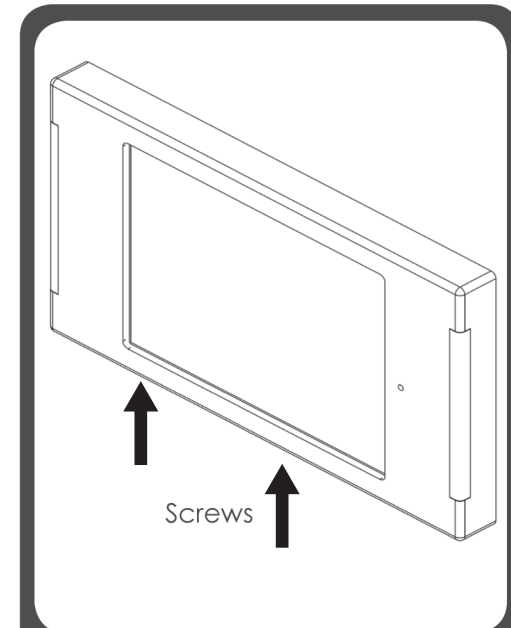
3 Mount the exterior bracket hooks to the interior bracket holes at the top of the brackets.



4 Take the black mirco USB cord, located in the exterior bracket, and connect it to the black POE Link box.



5 Plug the white USB and audio cable into the tablet. Tuck away the the excess cords and place your tablet between the interior and exterior brackets.



6 To finish, secure the exterior bracket to the interior bracket by placing the screws into the holes beneath the exterior bracket.