

### Wavebreaker

The Wavebreaker is an excellent flat-panel speaker. Special about it is its structure, its materials and its dimensions. The front consists of a thin plasterboard, which can be painted, plastered and even overpainted. This is followed by a sandwich structure made of a wide range of materials. The positioning of the exciter is a separate science in itself; As well as the dimensioning of the frequency divider and the dimensions of the oscillating surface. Here, a lot must be calculated, heard and measured until a plasterboard actually sounds like a real loudspeaker.

Another special feature of the Wavebreaker is that only a defined area is excited to swing. This is the only way to ensure that the surface loudspeaker always sounds the same in every installation situation and therefore very high quality. A free-floating, encircling surface encapsulated with acrylic is completely decoupled from the other surfaces and thereby largely prevents any disturbing body sound from being transmitted to other rooms and transmitted; although the fugue ist plastered, painted an also invisible.

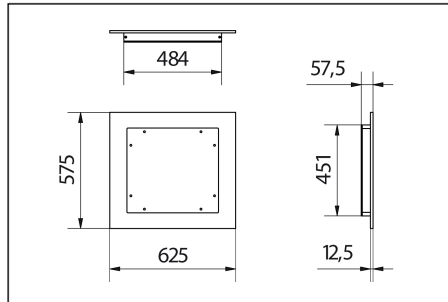
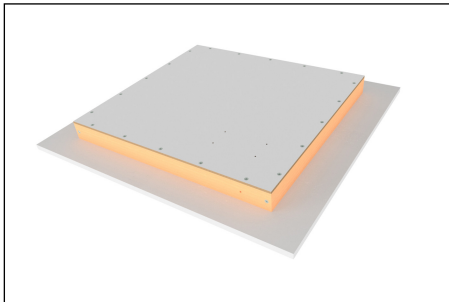
The Wavebreaker gives the full frequency spectrum from the lower notes up to the heights approximately linearly again and thus does not necessarily need a subwoofer, which then would only be visible again in the room.

We recommend the Wavebreaker as a system in combination with our Bluetooth/WLAN receiver WR 250 DSP. This combination was awarded the innovation prize IT "BEST OF 2017" by the Initiative Mittelstand in the category "CONSUMER ELECTRONICS". This means that no further components are required and it is ensured that these are always optimally coordinated with one another and thus can not be damaged.

In addition, the Wavebreaker is available as a 4 Ohm version and even with a 100V transformer and therefore leaves nothing to be desired in terms of connection possibilities.

A protective circuit prevents the Wavebreaker from being damaged, regardless of the version.

The Wavebreaker is also available as a "Wavebreaker grid" suitable for 625x625mm grid ceilings.



Technical Data	Wavebreaker low voltage	Wavebreaker-T25
Load Rating / Music Power	35/100 W	25 W
Impedance	4 Ohm	
Transformer		25/12.5/6.25 W
SPL 1W/1m	75 dB	75 dB
Frequency Range (-3 dB)	80-20000 Hz	80-20000 Hz
Transmission Angle 1/2/4/8 kHz (-6 dB)	180/180/180/160 °	180/180/180/160 °
Component Set	Exciter	Exciter
Material	plaster plate impregnated 12.5mm	plaster plate impregnated 12.5mm
Cut Out	575 x 625 mm	575 x 625 mm
Depth	45 mm	45 mm
Net Weight	5.3 kg	5.7 kg
Colors	green	green