

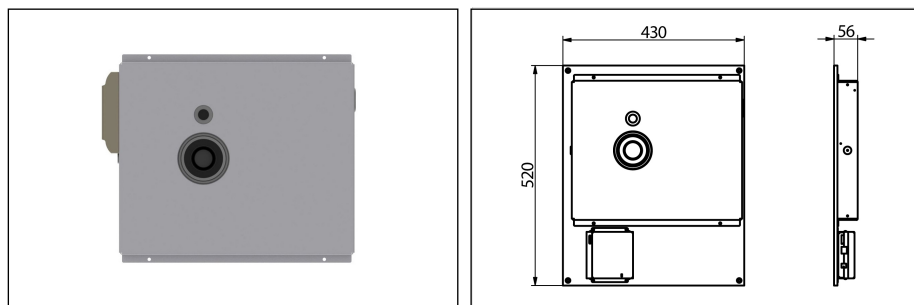
SDL 400

The SDL 400 is a 2-way speaker for use in stretch ceilings.

The speaker is available with Bluetooth receiver BTR 405 (SDL 400 M-BT), with WLAN receiver WR 205 (SDL 400 M-WR), with Bluetooth receiver and radio BTR 205 (SDL 400 M-R/BT), with radio HLS 51 Basic (SDL 400 M-R) or as passive loudspeaker (SDL 400-S).

The SDL 400 is installed completely invisibly behind the stretch ceiling and sounds thanks to its crossover, specially developed for this application, still very natural through the stretch ceiling. It is equipped with a 4" woofer and a tweeter. Despite its very flat design of only 48mm, it surprises with good bass reproduction thanks to its integrated bass reflex technology.

Up to three SDL 400-S can be connected to one SDL 400-M.



Technical Data	SDL 400
Load Rating / Music Power	6/8 W
Impedance	8 Ohm
SPL 1W/1m	81 dB
Frequency Range (-3 dB)	70-22000 Hz
Frequency Range (-10 dB)	55-28000 Hz
Transmission Angle 1/2/4/8 kHz (-6 dB)	180/180/160/90 °
Component Set	Woofer PM 103, tweeter PM 38
Material	Metal
Net Weight	1.8 kg
Colors	silver