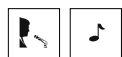
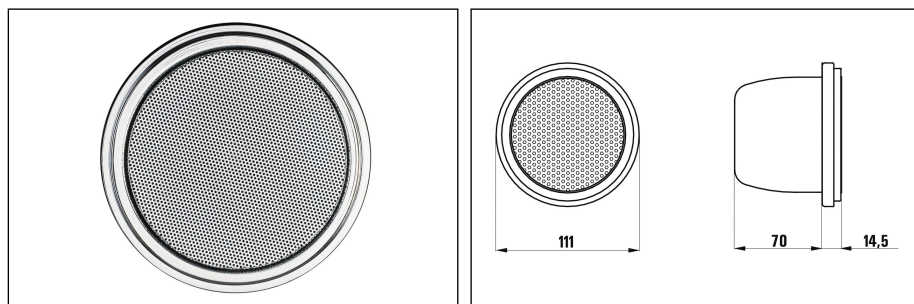


KLS 111

Cardan speakers, ideal for speech and background music reproduction in low-ceilinged rooms (2.4 - 3 m), e.g. in shops/boutiques, homes, etc... The KLS 111 fits in all cardan spotlights designed for a light 111 mm in diameter. This allows you to combine light and sound to optimal effect providing uniform coverage. Features a 87mm full-range chassis with subcone and neodymium magnet. Thanks to its wide radiation characteristics a large area can be evenly radiated with just a few of these boxes. For backup in the bass range we recommend the subwoofer UP 14 SUB.



Technical Data	KLS 111-20	KLS 111-T6
Load Rating / Music Power	6/8 W	6 W
Impedance	20 Ohm	
Transformer		6/3/1.5 W
SPL 1W/1m	86 dB	86 dB
SPL PNenn/1m	94 dB	94 dB
SPL PNenn/1m/f	101 dB/12 kHz	101 dB/12 kHz
Frequency Range (-3 dB)	150-20000 Hz	150-20000 Hz
Frequency Range (-10 dB)	80-21000 Hz	80-21000 Hz
Transmission Angle 1/2/4/8 kHz (-6 dB)	180/-/130/80 °	180/-/130/80 °
Component Set	1x KLS 111-20	1x KLS 111-20
Material	Housing and grille: metal chrome plated	Housing and grille: metal chrome plated
Depth	70 mm	70 mm
Net Weight	0.8 kg	1 kg
Colors	chrome	chrome
Accessories	Subwoofer UP 14 SUB	