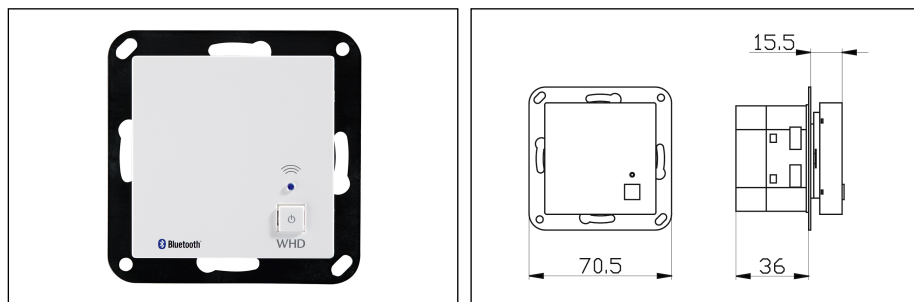


BTR 55 MK2

The BTR 55 MK2 is a Bluetooth receiver with stereo amplifier and 230V AC adapter for all standard central switch plates with 55x55 mm. In the current version of the BTR 55 MK2 the ease of use has been further improved. So you can simply switch the device by pressing a button and make the pairing readiness. Upon successful connection to your mobile device, the blue LED is lit continuously. For background music, the WHD-wall speaker KEL 55 Music can also be installed in the switch outlet. For the full stereo music playback, you can, for example, connect two WHD Ceiling Speaker of the M/R 180 or M/R 240 series.

The maximum volume can be limited. This is especially interesting for the hotel business

You can order the items enabled with a specified name in the mobile device's Bluetooth menu such as "Kitchen", "Bathroom" or hotel room number individually - a clever WHD Namingservice.



Technical Data	BTR 55 MK2	BTR 55 MK2 Set KEL
Audio Input	-	-
Audio Output	Line-Out 2x1,2W (mono/stereo)	Line-Out 2x1,2W (mono/stereo)
Other Interfaces	incl. Bluetooth-receiver (Version 2.1, Profil A2DP)	incl. Bluetooth-receiver (Version 2.1, Profil A2DP)
Operating Voltage	110-230 V	110-230 V
Component Set	Bluetooth-Receiver (A2DP), amplifier, power supply	Bluetooth-Receiver (A2DP), amplifier, power supply
Material	Cover plate (55x55mm): plastic	Cover plate (55x55mm): plastic
Accessories		incl. KEL 55-4 Music: flush-mounted speaker