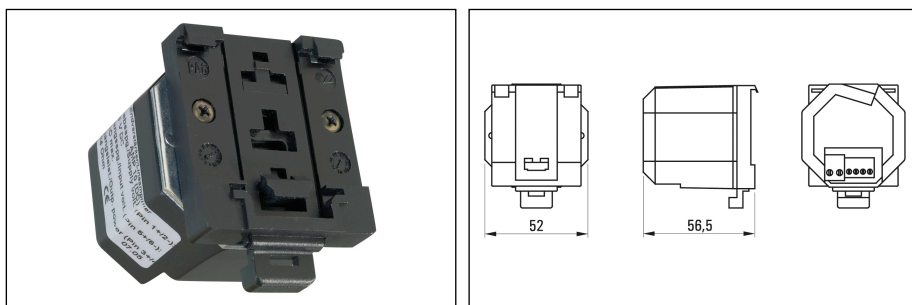


AMP 10 DC HS

The power amplifier AMP 10 DC HS suitable for top-hat rail mounting offers enough power at 10 Watts for wall-mounted or recessed ceiling speakers. Either one 4 Ohm-, two 8-Ohm- or up to 5x 20 Ohm speakers can be connected in parallel. The AM 840 audio actuator provides the power supply and control. A power amplifier with built-in potentiometer is also available (AMP 10...UP see the chapter on Audio electronics). It is simply connected up in parallel to the standard AMP 10 DC on one of four AM 840 zone outputs, thus allowing for operation in a 5th room. When the "Master" zone is activated, the music signal will also be made available to the subzone; its volume can be controlled via the built-in potentiometer or switched off separately. Speakers with built-in amps are also available.



Technical Data	AMP 10 DC HS
Audio Input	5 VAC or 0.7 VAC (0dB) selectable
Audio Output	Speaker level
Other Interfaces	Control voltage 0-10VDC
Operating Voltage	24 VDC/ 0,8A
Material	Housing: aluminium diecast (DIN-Rail, 3 U)
Accessories	Power Supply PS 24/1.5