

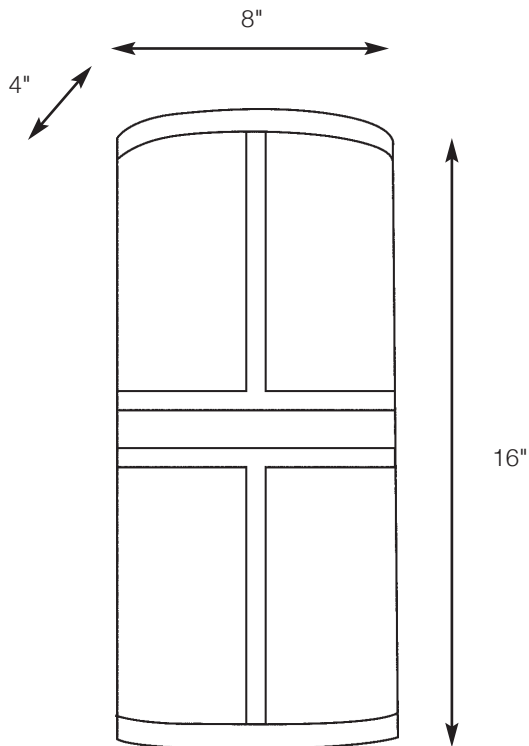


Tel: 626-246-1094 • 800.414.5109 • Fax: 626-443-0267

SPECIFICATION SHEET

SPJ8020

Wall Mount



MODEL: SPJ8020
MATERIAL : Brass or Aluminum
FINISH : Specify
ACRYLIC : Specify
ELECTRICAL : 120v - 277v
SOCKET : 1 Medium Base
LAMP : Specify
FLUORESCENT OPTIONS : PL-13W, PLT-26W, PLT-32W, PLT-42W



Specify Wet Location 

DRAWN BY: MMC	BASE DESIGN: SPJ	DATE: 01-10-10
---------------	------------------	----------------

SPJ LIGHTING INC.

2107 Chico Avenue
South El Monte, CA 91733
(800) 469-3637 FAX: (626) 433-4839