

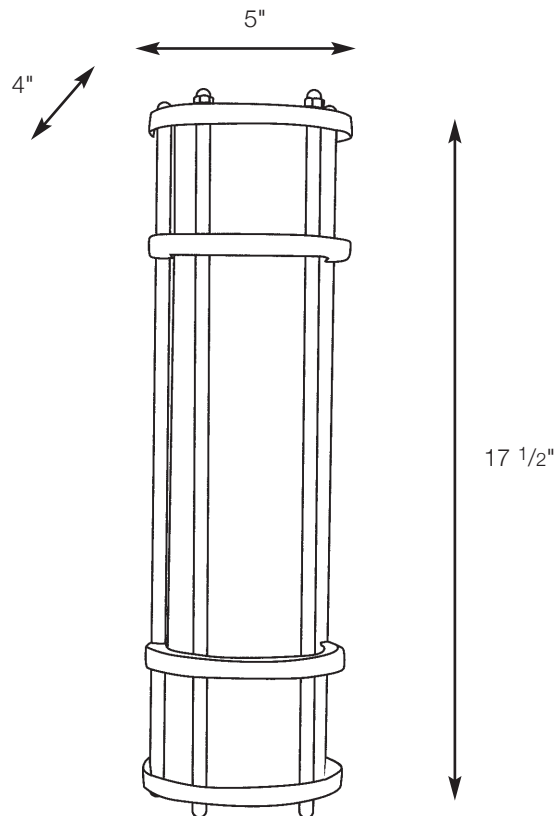


Tel: 626-246-1094 • 800.414.5109 • Fax: 626-443-0267

SPECIFICATION SHEET

SPJ8000

Wall Mount



- MODEL:** SPJ8000
- MATERIAL :** Brass or Aluminum
- FINISH :** Specify
- ACRYLIC :** Specify
- ELECTRICAL :** 120v - 277v
- SOCKET :** 1 Medium Base
- LAMP :** Specify
- FLUORESCENT OPTIONS :** PL-13W, PLT-26W, PLT-32W, PLT-42W



Specify Wet Location 

DRAWN BY: MMC

BASE DESIGN: SPJ

DATE: 01-10-10

SPJ LIGHTING INC.

2107 Chico Avenue
South El Monte, CA 91733
(800) 469-3637 FAX: (626) 433-4839