

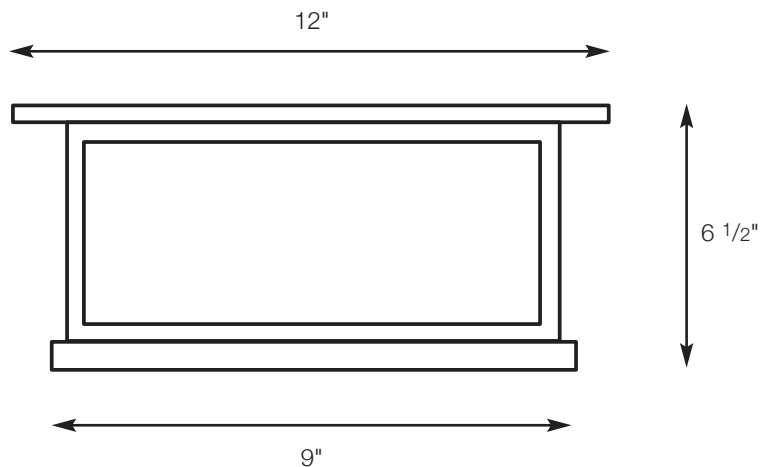


Tel: 626-246-1094 • 800.414.5109 • Fax: 626-443-0267

# SPECIFICATION SHEET

## SPJ570-A

Column



- MODEL:** SPJ570-A
- MATERIAL :** Marine Grade Stainless Steel
- FINISH :** Specify
- GLASS :** Specify
- ELECTRICAL :** 120v
- SOCKET :** 1 Medium Base
- LAMP :** Specify
- FLUORESCENT OPTIONS :** PL-13W, PLT-26W, PLT-32W, PLT-42W



Stainless steel requires regular cleaning and maintenance, much like household appliances, to maintain its luster and to prevent tarnishing or the appearance of rust like stains.

*Specify Wet Location* 

DRAWN BY: MMC	BASE DESIGN: SPJ	DATE: 01-10-10
---------------	------------------	----------------

## SPJ LIGHTING INC.

2107 Chico Avenue  
South El Monte, CA 91733  
(800) 469-3637 FAX: (626) 433-4839