

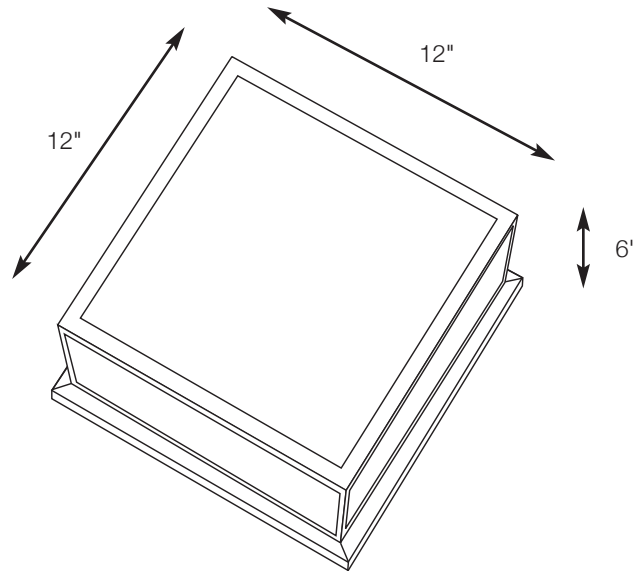


Tel: 626-246-1094 • 800.414.5109 • Fax: 626-443-0267

SPECIFICATION SHEET

SPJ562-B

Ceiling Mount



MODEL:	SPJ562-B
MATERIAL :	Marine Grade Stainless Steel
FINISH :	Brushed
GLASS :	Specify
ELECTRICAL :	120v
SOCKET :	1 Medium Base
LAMP :	Specify
FLUORESCENT OPTIONS :	PL-13W, PLT-26W, PLT-32W, PLT-42W



Stainless steel requires regular cleaning and maintenance, much like household appliances, to maintain its luster and to prevent tarnishing or the appearance of rust like stains.

Specify Wet Location



DRAWN BY: MMC

BASE DESIGN: SPJ

DATE: 01-10-10

SPJ LIGHTING INC.

2107 Chico Avenue
South El Monte, CA 91733
(800) 469-3637 FAX: (626) 433-4839