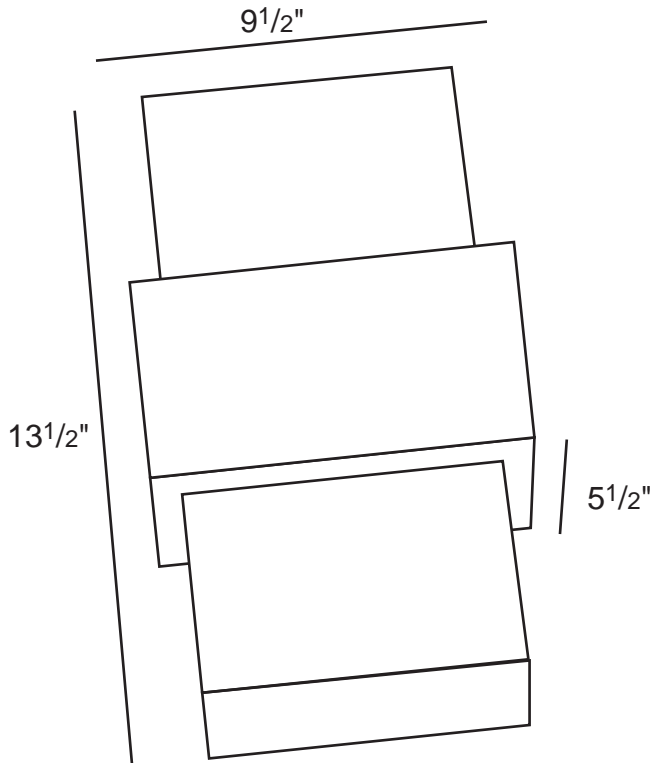


SPJ531-A



CONSTRUCTION: STAINLESS STEEL

MODEL: SPJ531-A
LAMP : SPECIFY

FINISH OPTIONS:

- (RS) RAW STAINLESS
- (BS) BRUSHED STAINLESS
- (PS) POLISHED STAINLESS

LAMP OPTIONS:

- (MB) (1) MEDIUM BASE (TWIN)
- (113) (1) PL-13 FLUORESCENT
- (213) (2) PL-13 FLUORESCENT

NOTE: *Tempered Glass or Acrylic*

Must Specify Wet Location

OPTION: *Solid Top*

SCALE:

DRAWN BY: MMC

BASE DESIGN: SPJ

DATE: 02-15-02

SPJ LIGHTING INC.

2107 Chico Avenue
South El Monte, CA 91733
(800) 469-3637 FAX: (626) 433-4839