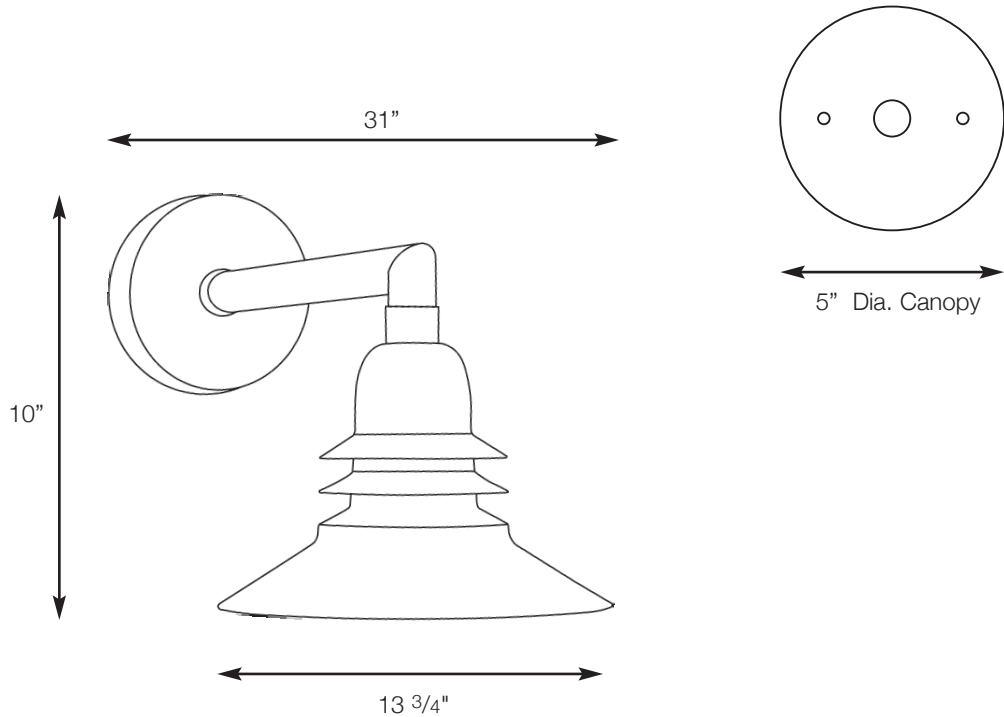


SPJ49-02CO

Accent



MODEL: SPJ49-02CO
MATERIAL : Solid Brass or Copper
FINISH : Specify
GLASS : Specify
ELECTRICAL : 120v
SOCKET : Medium Base
LAMP : 100w Max. (not included)
MOUNTING : Wall Mount



DRAWN BY: MMC

BASE DESIGN: SPJ

DATE: 01-10-10

SPJ LIGHTING INC.

2107 Chico Avenue
 South El Monte, CA 91733
 (800) 469-3637 FAX: (626) 433-4839