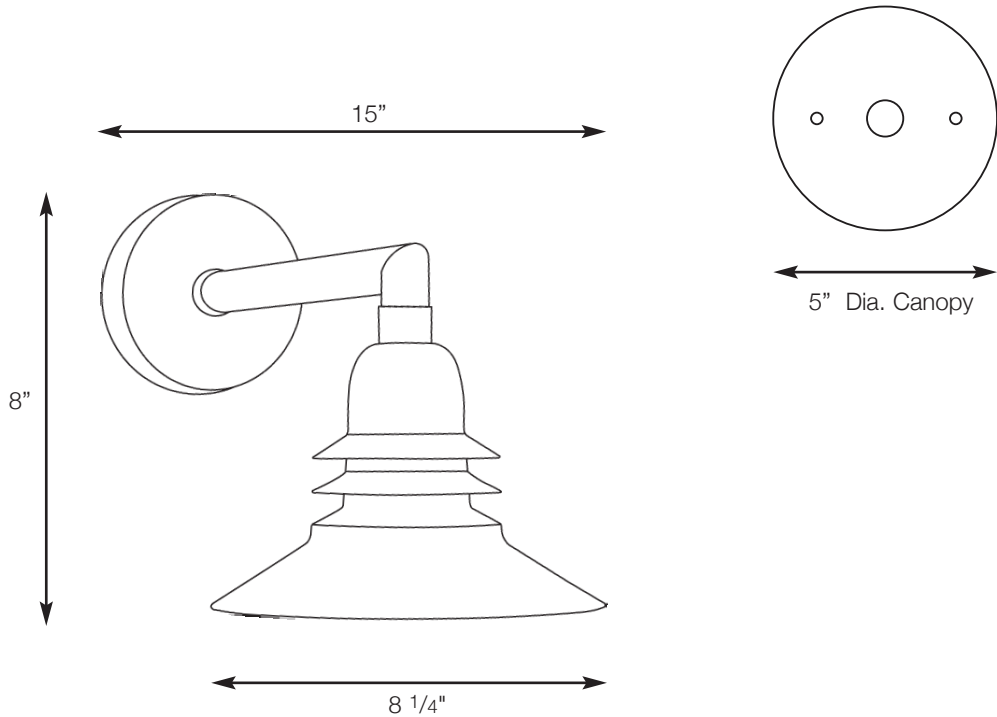


**SPJ49-01CO**

Accent



**MODEL:** SPJ49-01CO  
**MATERIAL :** Solid Brass or Copper  
**FINISH :** Specify  
**GLASS :** Specify  
**ELECTRICAL :** 120v  
**SOCKET :** Medium Base  
**LAMP :** 100w Max. (not included)  
**MOUNTING :** Wall Mount



DRAWN BY: MMC

BASE DESIGN: SPJ

DATE: 01-10-10

**SPJ LIGHTING INC.**

2107 Chico Avenue  
 South El Monte, CA 91733  
 (800) 469-3637 FAX: (626) 433-4839