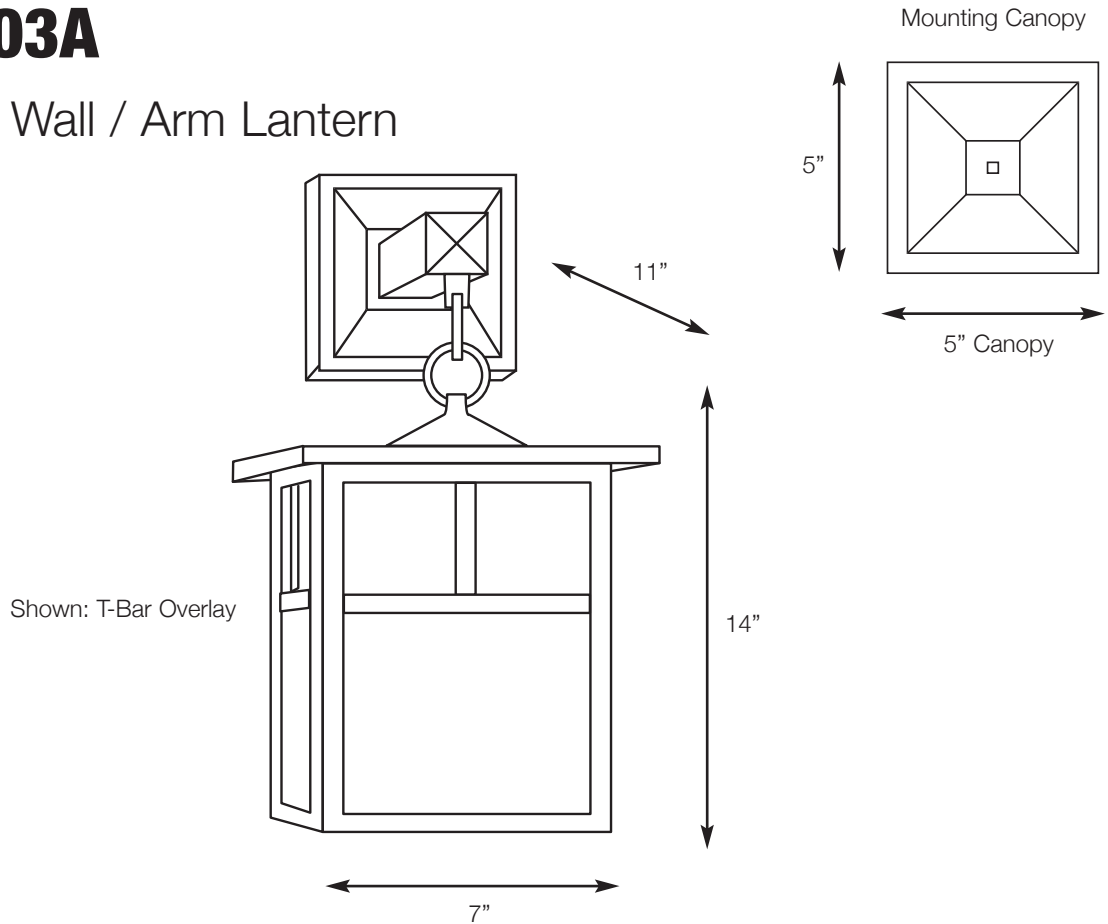


SPJ38-03A

Craftsman Wall / Arm Lantern



- | | |
|------------------------------|-----------------------------------|
| MODEL : | SPJ38-03A |
| MATERIAL : | Solid Brass |
| FINISH : | Specify |
| GLASS : | Specify |
| ELECTRICAL : | 120v |
| SOCKET : | Medium Base |
| LAMP : | 100w Max. |
| FLUORESCENT OPTIONS : | PL-13W, PLT-26W, PLT-32W, PLT-42W |
| MOUNTING : | Wall Arm (Straight) |
| OVERLAY : | Specify |



DRAWN BY: MMC

BASE DESIGN: SPJ

DATE: 01-10-10

SPJ LIGHTING INC.

2107 Chico Avenue
South El Monte, CA 91733
(800) 469-3637 FAX: (626) 433-4839