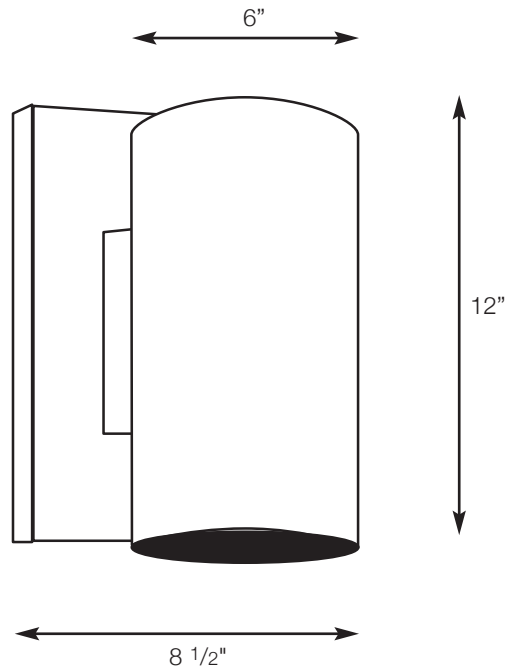


# SPJ37-05

Up / Down Accent



**MODEL:** SPJ37-04  
**MATERIAL :** Solid Brass  
**FINISH :** Specify  
**GLASS :** Specify  
**ELECTRICAL :** 120v  
**SOCKET :** Medium Base, Twin Socket  
**LAMP :** Par 38 - 75w Max. (not incl.)  
**MOUNTING :** Flush Mount



*Specify Wet Location  
Available Downlight only*



DRAWN BY: MMC

BASE DESIGN: SPJ

DATE: 01-10-10

## SPJ LIGHTING INC.

2107 Chico Avenue  
 South El Monte, CA 91733  
 (800) 469-3637 FAX: (626) 433-4839