

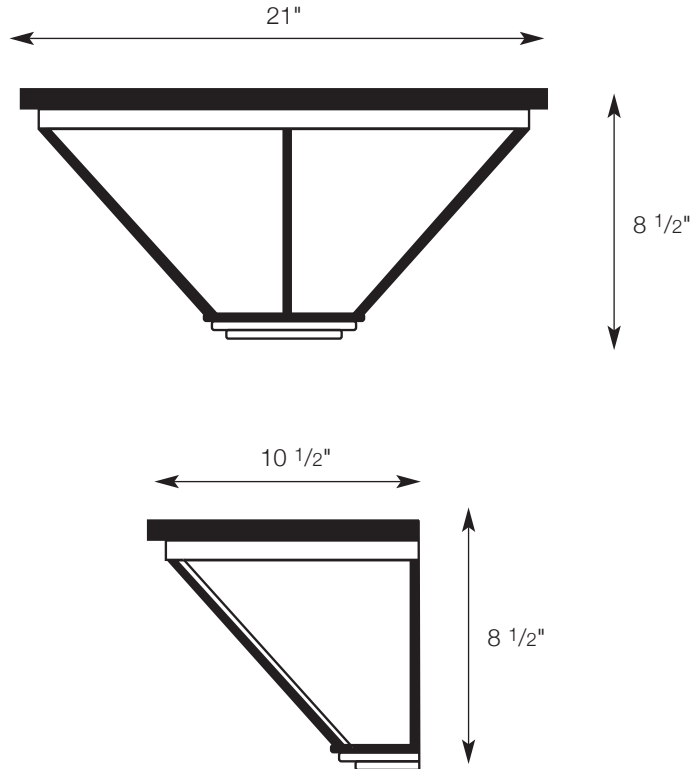


Tel: 626-246-1094 • 800.414.5109 • Fax: 626-443-0267

SPECIFICATION SHEET

SPJ34-W-A-226

Wall Mount



- MODEL:** SPJ34-W-A-226
- MATERIAL :** Marine Grade Stainless Steel
- FINISH :** Brushed
- ACRYLIC :** Specify
- ELECTRICAL :** 120v
- SOCKET :** 2-26W CFL
- LAMP :** Specify
- FLUORESCENT OPTIONS :** PL-13W, PLT-26W, PLT-32W, PLT-42W



Stainless steel requires regular cleaning and maintenance, much like household appliances, to maintain its luster and to prevent tarnishing or the appearance of rust like stains.

Specify Wet Location 

DRAWN BY: MMC

BASE DESIGN: SPJ

DATE: 01-10-10

SPJ LIGHTING INC.

2107 Chico Avenue
South El Monte, CA 91733
(800) 469-3637 FAX: (626) 433-4839