



Forever Bright

SPECIFICATION FEATURES



Model: **SPJ17-09OW**
Finish: Matte Bronze

Finish: Our naturally etched finishes will withstand the test of time. All finishes are individually treated insuring consistency. Our meticulous application results in a fixture that truly becomes "a one of a kind".

Electrical: Available in 9-15v or 120V

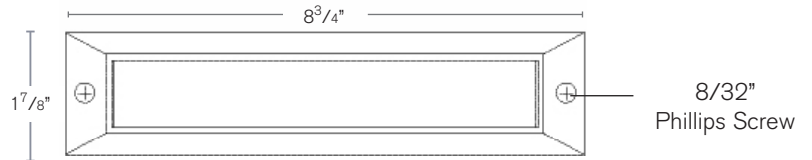
Labels: ETL Standard Wet Label
C-ETL

Recessed Fixture

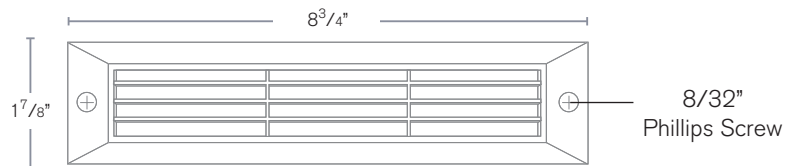
DESCRIPTION

Model#: SPJ17-09OW
Material: Cast Brass
Engine: FB-2WREC-TA-5-B-2700K
Lumens: 125
Color Temp: 2700K
Electrical: 9-15V, 120V
LED: Nichia

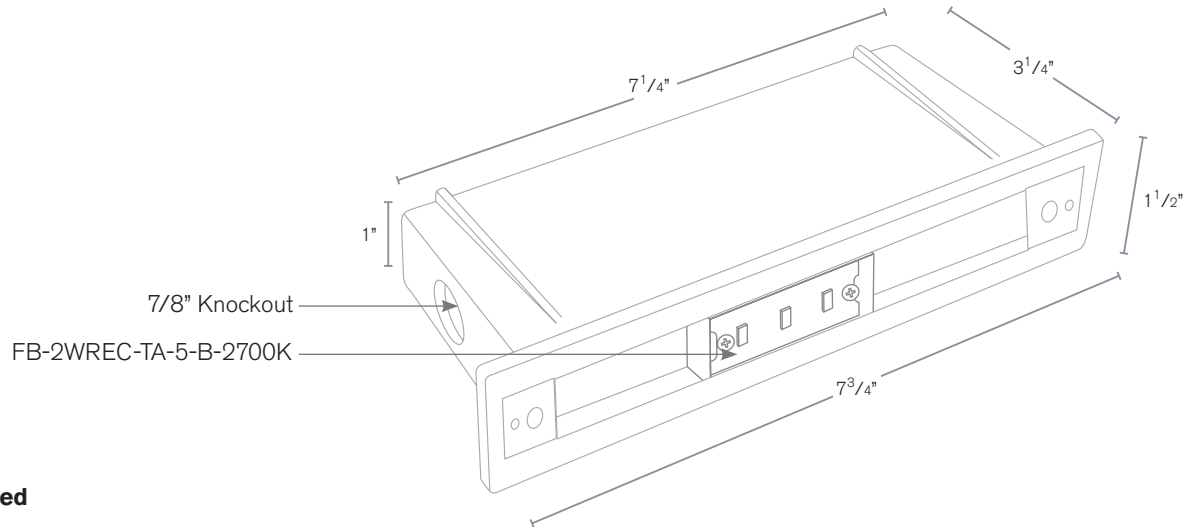
Face Plates



SPJ17-09-OW



SPJ17-09 Louvre



Wet Listed

ORDERING INFORMATION

Model#	Finishes	Wattage	Lumens	Color Temp.	Electrical
SPJ17-09OW	MBR	2W	125	2700K	9-15V

V = Verde	GM = Gun Metal	2W	125	2700K	9-15V
M = Moss	B = Black			4000K	120V
AG = Aged Brass	R = Rusty			6500K	
MBR = Matte Bronze	PVDP = PVD Polished				
SB = Satin Brass	PVDS = PVD Satin				