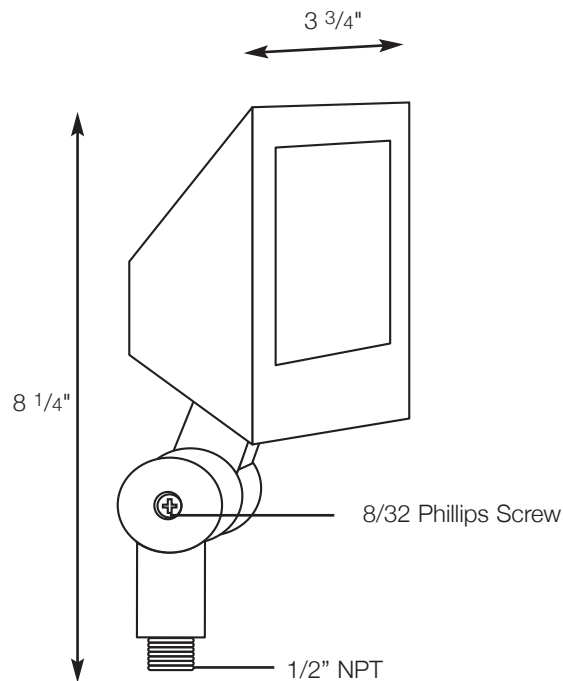


SPJ15-06

Wash Light

Quick Ship



- MODEL:** SPJ15-06
- MATERIAL :** Solid Brass or Copper
- FINISH :** Specify
- ELECTRICAL :** 12v
- SOCKET :** All Weather Ceramic
- LAMP :** 13W S.C.B or 20W Bi-Pin
- MOUNTING :** 1/2" NPT Dual Fin Spike Incl.

DRAWN BY: MMC

BASE DESIGN: SPJ

DATE: 01-10-10

SPJ LIGHTING INC.

2107 Chico Avenue
South El Monte, CA 91733
(800) 469-3637 FAX: (626) 433-4839