

Forever Bright

SPECIFICATION FEATURES



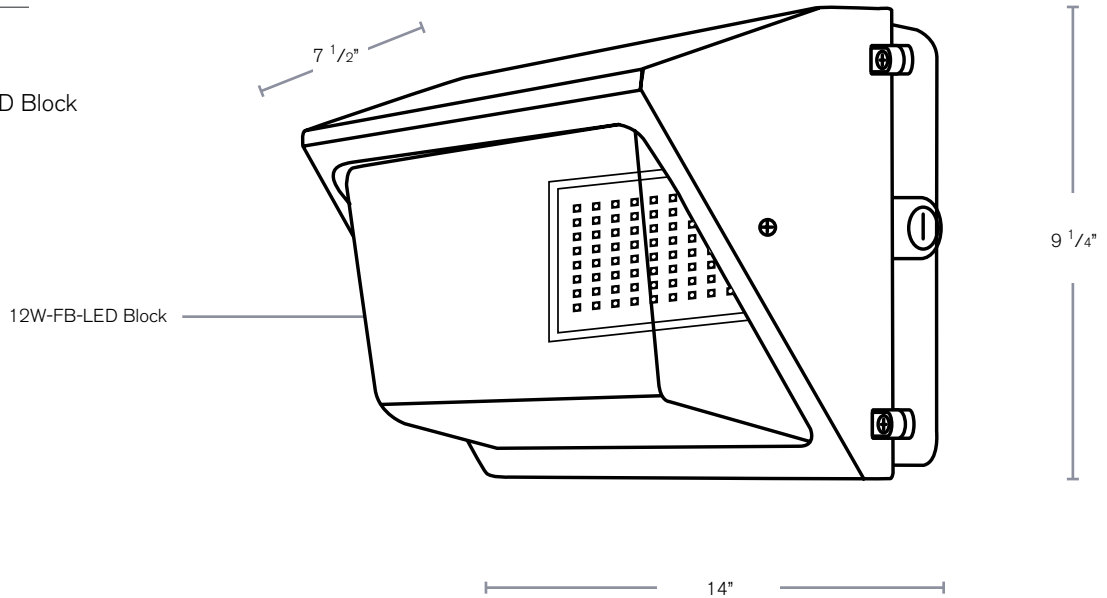
Model: **SPJ-WP114**

- Finish:** Our naturally etched finishes will withstand the test of time. All finishes are individually treated insuring consistency. Our meticulous application results in a fixture that truly becomes "a one of a kind".
- Electrical:** Available in 9v-18v, 120v & 277v
- Labels:** ETL Standard Wet Label
C-ETL

LED Wall Pack

DESCRIPTION

- Model#:** SPJ-WP114
- Material:** Aluminum
- Lamp:** 12W-FB-LED Block
- Lumens:** 1400
- Color Temp:** 4000 k
- Electrical:** 120V, 277V



ORDERING INFORMATION

Model#	Finishes	Lumens	Color Temp.	Electrical
SPJ-WP114	PCB	1400	4000K	120V
SPJ-WP114	PCB = Powder Coat Black PCBR= Powder Coat Bronze PCW = Powder Coat White	3000K 4000K 5000K	120V 277V	