



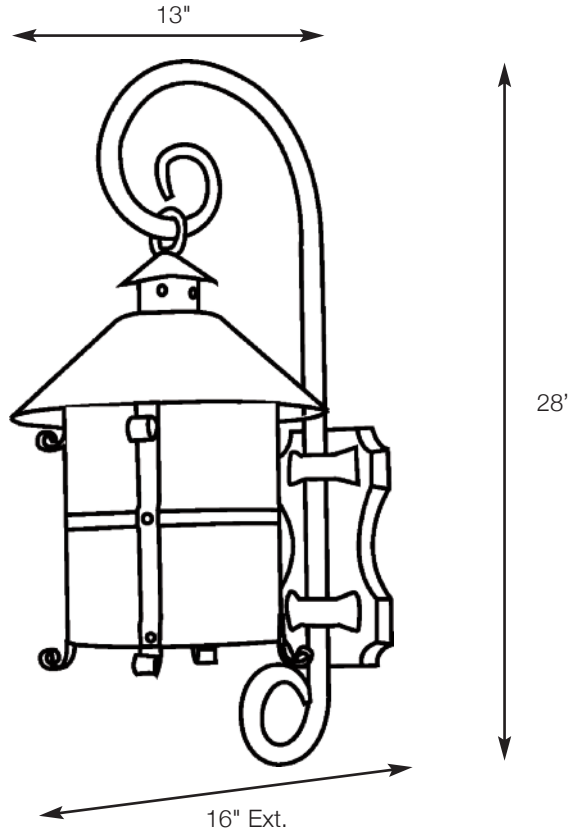
**TUSCAN IRONWORKS**

1.800.245.9213 Fax: 626.433.4839

**SPECIFICATION SHEET**

**SPJ-WM1700**

Scroll Mount



- MODEL:** SPJ-WM1700
- MATERIAL :** Solid Brass
- FINISH :** Specify
- ELECTRICAL :** 120v
- SOCKET :** (1) Medium Base
- LAMP :** Specify
- FLUORESCENT OPTIONS :** PL-13W, PLT-26W, PLT-32W, PLT-42W
- MOUNTING :** Scroll Mount, Column Mount, Pendant Mount



DRAWN BY: MMC

BASE DESIGN: SPJ

DATE: 01-10-10

**SPJ LIGHTING INC.**

2107 Chico Avenue  
South El Monte, CA 91733  
(800) 469-3637 FAX: (626) 433-4839