



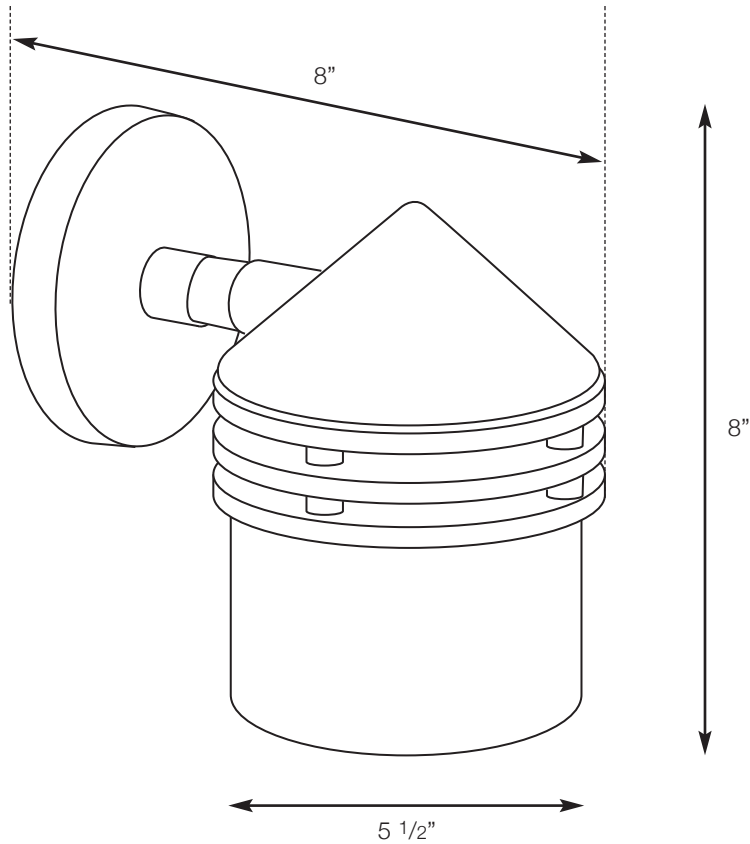
**TUSCAN IRONWORKS**

1.800.245.9213 Fax: 626.433.4839

**SPECIFICATION SHEET**

**SPJ-PK204**

Wall Mount



**MODEL:** SPJ-PK204  
**MATERIAL :** Solid Brass or Copper  
**FINISH :** Specify  
**ELECTRICAL :** 120v  
**SOCKET :** Medium Base  
**LAMP :** 100W A19, 12v or Specify  
**FLUORESCENT OPTIONS :** PL-13W, PLT-26W, PLT-32W, PLT-42W  
**MOUNTING :** Wall Mount



DRAWN BY: MMC

BASE DESIGN: SPJ

DATE: 01-10-10

**SPJ LIGHTING INC.**

2107 Chico Avenue  
South El Monte, CA 91733  
(800) 469-3637 FAX: (626) 433-4839