



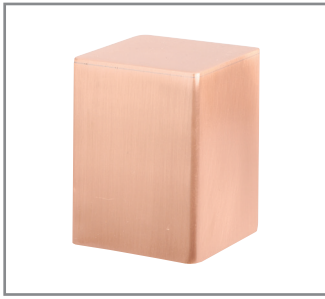
# Forever Bright

## SPECIFICATION FEATURES

**Finish:** Our naturally etched finishes will withstand the test of time. All finishes are individually treated insuring consistency. Our meticulous application results in a fixture that truly becomes "a one of a kind".

**Electrical:** Available in 8-15V

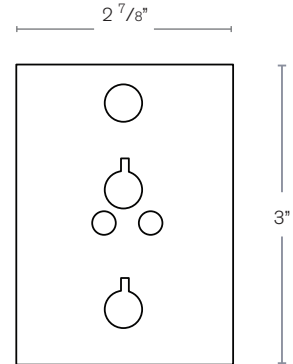
**Labels:** ETL Standard Wet Label  
C-ETL



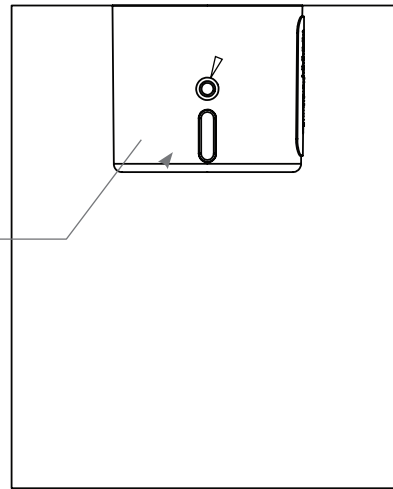
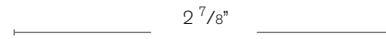
Model: **SPJ-LSQ-DL**  
Finish: Raw Copper

## DESCRIPTION

**Model:** SPJ-LSQ-DL  
**Shown:** Raw Copper  
**Material:** Copper  
**Finish:** Specify  
**Engine:** 1W, 2W, 3W  
**Lumens:** 50 (1W), 135 (2W), 150 (3W)  
**Color Temp:** 2700K  
**Optic:** Spot, Flood, Wide Flood  
**Mounting:** Wall Flush  
**LED:** Nichia



**Mounting**



Wet Listed



## ORDERING INFORMATION

Model#	Finishes	Wattage	Lumens	Color Temp.	Electrical
<b>SPJ-LSQ-DL</b>	<b>RC</b>	<b>2W</b>	<b>135</b>	<b>2700K</b>	<b>8-15V</b>

V = Verde	GM = Gun Metal	1W	50	2700K	8-15V
M = Moss	B = Black	2W	135	4000K	
AG = Aged Brass	R = Rusty	3W	150	5000K	
MBR = Matte Bronze	PVDP = PVD Polished				
RC = Raw Copper	PVDS = PVD Satin				

[WWW.SPJLIGHTING.COM](http://WWW.SPJLIGHTING.COM)